

## DM74LS251 3-STATE Data Selectors/Multiplexers

### General Description

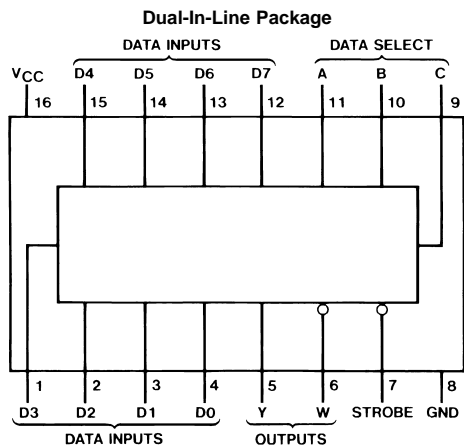
These data selectors/multiplexers contain full on-chip binary decoding to select one-of-eight data sources, and feature a strobe-controlled 3-STATE output. The strobe must be at a low logic level to enable these devices. The 3-STATE outputs permit direct connection to a common bus. When the strobe input is high, both outputs are in a high-impedance state in which both the upper and lower transistors of each totem-pole output are off, and the output neither drives nor loads the bus significantly. When the strobe is low, the outputs are activated and operate as standard TTL totem-pole outputs.

To minimize the possibility that two outputs will attempt to take a common bus to opposite logic levels, the output control circuitry is designed so that the average output disable time is shorter than the average output enable time.

### Features

- 3-STATE version of LS151
- Interface directly with system bus
- Perform parallel-to-serial conversion
- Permit multiplexing from N-lines to one line
- Complementary outputs provide true and inverted data
- Maximum number of common outputs
  - 54LS 49
  - 74LS 129
- Typical propagation delay time (D to Y)
  - 54LS 17 ns
  - 74LS 17 ns
- Typical power dissipation
  - 54LS 35 mW
  - 74LS 35 mW

### Connection Diagram



Order Number DM54LS251J, DM54LS251W,  
DM74LS251M or DM74LS251N  
See Package Number J16A, M16A, N16E or W16A

### Function Table

Inputs			Outputs		
Select			Strobe S	Y	W
C	B	A			
X	X	X	H	Z	Z
L	L	L	L	D0	$\overline{D0}$
L	L	H	L	D1	$\overline{D1}$
L	H	L	L	D2	$\overline{D2}$
L	H	H	L	D3	$\overline{D3}$
H	L	L	L	D4	$\overline{D4}$
H	L	H	L	D5	$\overline{D5}$
H	H	L	L	D6	$\overline{D6}$
H	H	H	L	D7	$\overline{D7}$

H = High Logic Level, L = Low Logic Level,  
X = Don't Care, Z = High Impedance (Off)  
D0, D1...D7 = The level of the respective D input

## Absolute Maximum Ratings (Note 1)

Supply Voltage	7V	DM54LS	-55°C to +125°C
Input Voltage	7V	DM74LS	0°C to +70°C
Operating Free Air Temperature Range		Storage Temperature Range	-65°C to +150°C

## Recommended Operating Conditions

Symbol	Parameter	DM54LS251			DM74LS251			Units
		Min	Nom	Max	Min	Nom	Max	
V <sub>CC</sub>	Supply Voltage	4.5	5	5.5	4.75	5	5.25	V
V <sub>IH</sub>	High Level Input Voltage	2			2			V
V <sub>IL</sub>	Low Level Input Voltage			0.7			0.8	V
I <sub>OH</sub>	High Level Output Current			-1			-2.6	mA
I <sub>OL</sub>	Low Level Output Current			12			24	mA
T <sub>A</sub>	Free Air Operating Temperature	-55		125	0		70	°C

**Note 1:** The "Absolute Maximum Ratings" are those values beyond which the safety of the device cannot be guaranteed. The device should not be operated at these limits. The parametric values defined in the "Electrical Characteristics" table are not guaranteed at the absolute maximum ratings. The "Recommended Operating Conditions" table will define the conditions for actual device operation.

## Electrical Characteristics

over recommended operating free air temperature range (unless otherwise noted)

Symbol	Parameter	Conditions	Min	Typ (Note 2)	Max	Units
V <sub>I</sub>	Input Clamp Voltage	V <sub>CC</sub> = Min, I <sub>I</sub> = -18 mA			-1.5	V
V <sub>OH</sub>	High Level Output Voltage	V <sub>CC</sub> = Min, I <sub>OH</sub> = Max	DM54	2.4	3.4	V
		V <sub>IL</sub> = Max, V <sub>IH</sub> = Min	DM74	2.4	3.1	
V <sub>OL</sub>	Low Level Output Voltage	V <sub>CC</sub> = Min, I <sub>OL</sub> = Max	DM54	0.25	0.4	V
		V <sub>IL</sub> = Max, V <sub>IH</sub> = Min	DM74	0.35	0.5	
		I <sub>OL</sub> = 12 mA, V <sub>CC</sub> = Min	DM74	0.25	0.4	
I <sub>I</sub>	Input Current @ Max Input Voltage	V <sub>CC</sub> = Max, V <sub>I</sub> = 7V			0.1	mA
I <sub>IH</sub>	High Level Input Current	V <sub>CC</sub> = Max, V <sub>I</sub> = 2.7V			20	μA
I <sub>IL</sub>	Low Level Input Current	V <sub>CC</sub> = Max, V <sub>I</sub> = 0.4V			-0.4	mA
I <sub>OZH</sub>	Off-State Output Current with High Level Output Voltage Applied	V <sub>CC</sub> = Max, V <sub>O</sub> = 2.7V V <sub>IH</sub> = Min, V <sub>IL</sub> = Max			20	μA
I <sub>OZL</sub>	Off-State Output Current with Low Level Output Voltage Applied	V <sub>CC</sub> = Max, V <sub>O</sub> = 0.4V V <sub>IH</sub> = Min, V <sub>IL</sub> = Max			-20	μA
I <sub>OS</sub>	Short Circuit Output Current	V <sub>CC</sub> = Max	DM54	-20	-100	mA
		(Note 3)	DM74	-20	-100	
I <sub>CC1</sub>	Supply Current	V <sub>CC</sub> = Max (Note 4)		6.1	10	mA
I <sub>CC2</sub>	Supply Current	V <sub>CC</sub> = Max (Note 5)		7.1	12	mA

**Note 2:** All typicals are at V<sub>CC</sub> = 5V, T<sub>A</sub> = 25°C.

**Note 3:** Not more than one output should be shorted at a time, and the duration should not exceed one second.

**Note 4:** I<sub>CC1</sub> is measured with the outputs open, STROBE grounded, and all other inputs at 4.5V.

**Note 5:** I<sub>CC2</sub> is measured with the outputs open and all inputs at 4.5V.

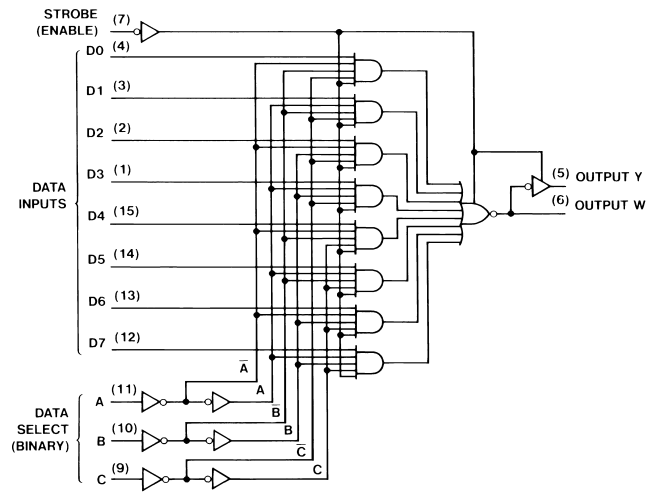
## Switching Characteristics

at  $V_{CC} = 5V$  and  $T_A = 25^\circ C$

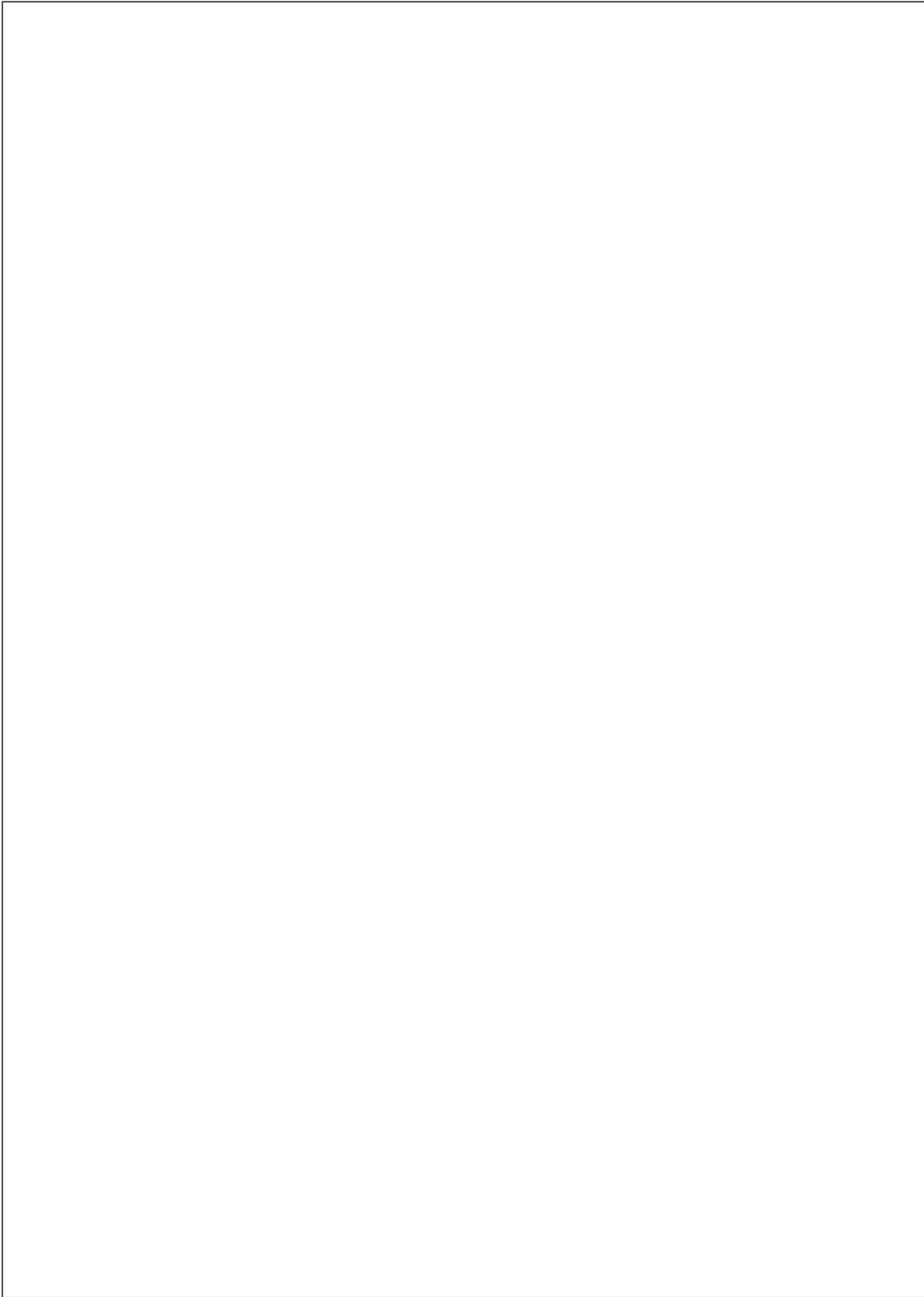
Symbol	Parameter	From (Input) to (Output)	$R_L = 667\Omega$				Units
			$C_L = 45\text{ pF}$		$C_L = 150\text{ pF}$		
			Min	Max	Min	Max	
$t_{PLH}$	Propagation Delay Time Low to High Level Output	A, B, C (4 Levels) to Y		45		53	ns
$t_{PHL}$	Propagation Delay Time High to Low Level Output	A, B, C (4 Levels) to Y		45		53	ns
$t_{PLH}$	Propagation Delay Time Low to High Level Output	A, B, C (3 Levels) to W		33		38	ns
$t_{PHL}$	Propagation Delay Time High to Low Level Output	A, B, C (3 Levels) to W		33		42	ns
$t_{PLH}$	Propagation Delay Time Low to High Level Output	D to Y		28		35	ns
$t_{PHL}$	Propagation Delay Time High to Low Level Output	D to Y		28		38	ns
$t_{PLH}$	Propagation Delay Time Low to High Level Output	D to W		15		25	ns
$t_{PHL}$	Propagation Delay Time High to Low Level Output	D to W		15		25	ns
$t_{PZH}$	Output Enable Time to High Level Output	Strobe to Y		45		60	ns
$t_{PZL}$	Output Enable Time to Low Level Output	Strobe to Y		40		51	ns
$t_{PHZ}$	Output Disable Time from High Level Output (Note 6)	Strobe to Y		45			ns
$t_{PLZ}$	Output Disable Time from Low Level Output (Note 6)	Strobe to Y		25			ns
$t_{PZH}$	Output Enable Time to High Level Output	Strobe to W		27		40	ns
$t_{PZL}$	Output Enable Time to Low Level Output	Strobe to W		40		47	ns
$t_{PHZ}$	Output Disable Time from High Level Output (Note 6)	Strobe to W		55			ns
$t_{PLZ}$	Output Disable Time from Low Level Output (Note 6)	Strobe to W		25			ns

Note 6:  $C_L = 5\text{ pF}$

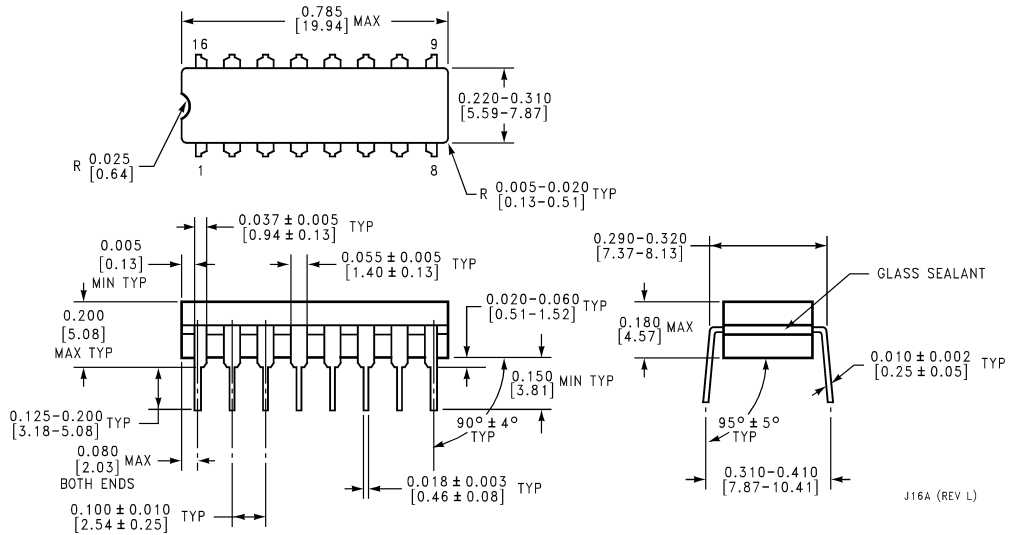
# Logic Diagram



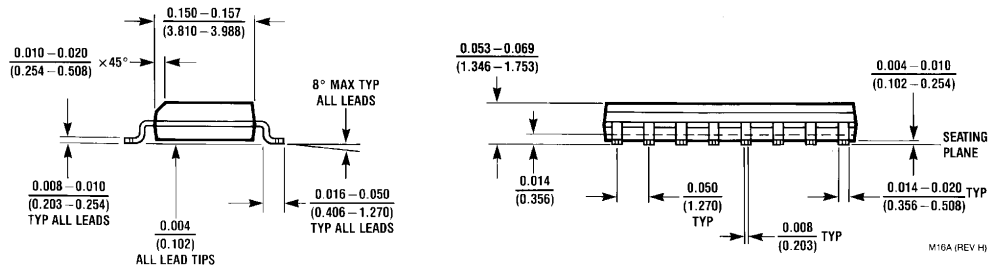
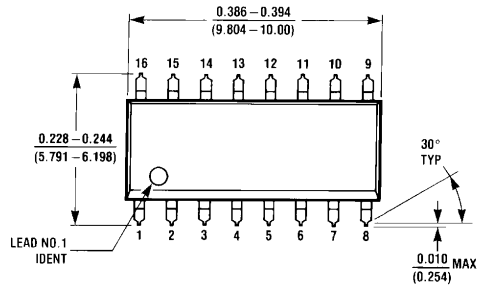
DS006415-2



**Physical Dimensions** inches (millimeters) unless otherwise noted

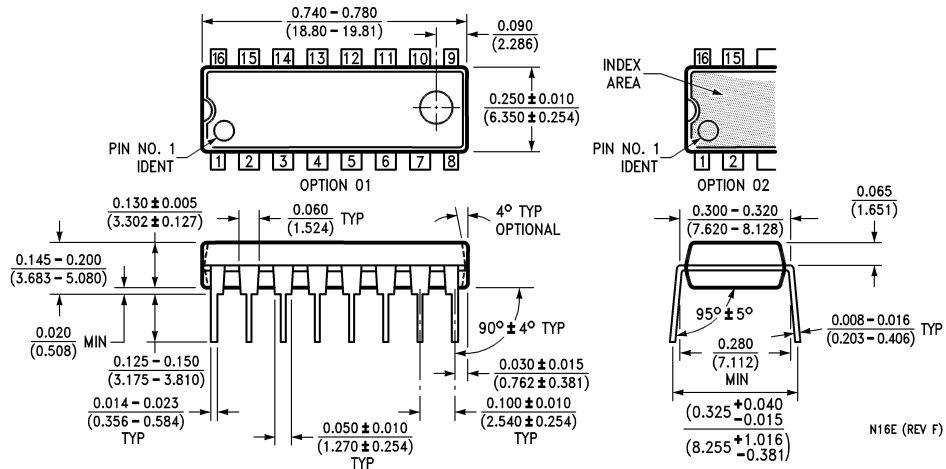


**16-Lead Ceramic Dual-In-Line Package (J)**  
**Order Number DM54LS251J**  
**Package Number J16A**

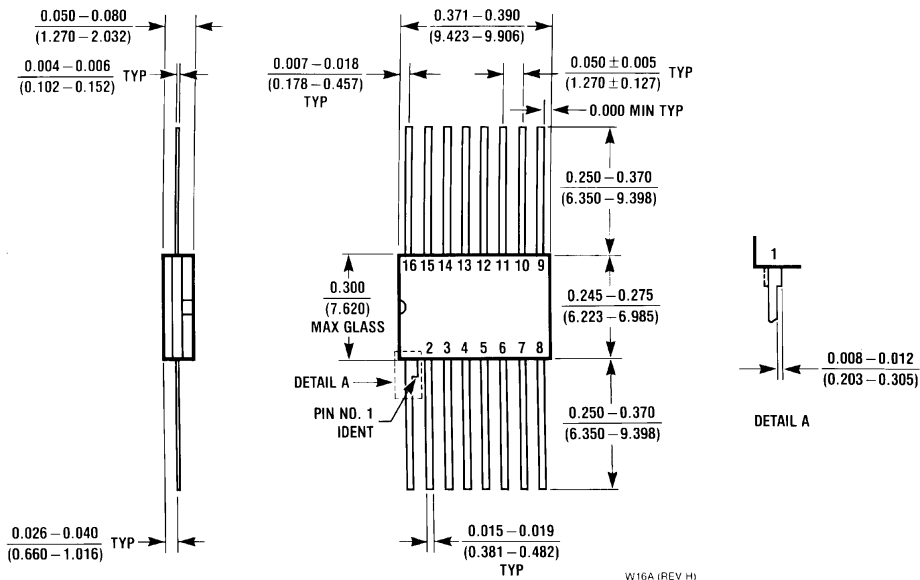


**16-Lead Small Outline Molded Package (M)**  
**Order Number DM74LS251M**  
**Package Number M16A**

**Physical Dimensions** inches (millimeters) unless otherwise noted (Continued)



**Molded Dual-In-Line Package (N)**  
**Order Number DM74LS251N**  
**Package Number N16E**



**16-Lead Ceramic Flat Package (W)**  
**Order Number DM54LS251W**  
**Package Number W16A**

**LIFE SUPPORT POLICY**

FAIRCHILD'S PRODUCTS ARE NOT AUTHORIZED FOR USE AS CRITICAL COMPONENTS IN LIFE SUPPORT DEVICES OR SYSTEMS WITHOUT THE EXPRESS WRITTEN APPROVAL OF THE PRESIDENT OF FAIRCHILD SEMICONDUCTOR CORPORATION. As used herein:

1. Life support devices or systems are devices or systems which, (a) are intended for surgical implant into the body, or (b) support or sustain life, and (c) whose failure to perform when properly used in accordance with instructions for use provided in the labeling, can be reasonably expected to result in a significant injury to the user.
2. A critical component in any component of a life support device or system whose failure to perform can be reasonably expected to cause the failure of the life support device or system, or to affect its safety or effectiveness.

**Fairchild Semiconductor Corporation Americas**  
Customer Response Center  
Tel: 1-888-522-5372

**Fairchild Semiconductor Europe**  
Fax: +49 (0) 1 80-530 85 86  
Email: europe.support@nsc.com  
Deutsch Tel: +49 (0) 8 141-35-0  
English Tel: +44 (0) 1 793-85-68-56  
Italy Tel: +39 (0) 2 57 5631

**Fairchild Semiconductor Hong Kong Ltd.**  
13th Floor, Straight Block,  
Ocean Centre, 5 Canton Rd.  
Tsimshatsui, Kowloon  
Hong Kong  
Tel: +852 2737-7200  
Fax: +852 2314-0061

**National Semiconductor Japan Ltd.**  
Tel: 81-3-5620-6175  
Fax: 81-3-5620-6179

[www.fairchildsemi.com](http://www.fairchildsemi.com)