

5

General Purpose Diodes

- Our versatile series offers a wide variety of diodes for various types of circuits to prevent reversed currents in electrical appliances.
- Many of these products have special characteristics, such as "fully molded" package diodes that can be attached to a heat sink with just one screw and high voltage diodes for ignition are available (see page 39).
- We will design to fit any taping specifications (see page 34).

Rectifiers

Type No.	Maximum ratings				Electrical characteristics			Remarks	Outline drawing
	V _{RM} (V)	I _O (A)	I _{FSM} (A)	T _{stg} (°C)	V _F (V)		I _R (μA)		
					max	Conditions I _F (A)			
AM 01Z	200	1.0	35	-40~+150	0.98	1.0	10		9
01	400								
01A	600								
RM 1Z	200	1.0	50		0.95				
1	400								
1A	600								
1B	800	0.8	40	-40~+130	1.2	1.0	5		3
1C	1000								
EM 1Y	100	1.0	45	-40~+140	0.97	1.0	10		4
1	200								
1	400								
1A	600								
1B	800								
1C	1000	35							
EM 01Y	100								
01Z	200	1.0*	45	-40~+140	0.97	1.0	10		5
01	400								
01A	600								
EM 2	400	1.2	80	-40~+140	0.92	1.2	10		4
2A	600								
2B	800								
RM 11	400	1.2	100	-40~+140	0.92	1.5	10		3
11A	600								
11B	800								
11C	1000								
RM 10Z	200	1.5	120	-40~+140	0.91	1.5	10		3
10	400								
10A	600								
10B	800								
RO 2Z	200	1.2	80	-40~+130	0.92	1.5	10		6
2	400								
2A	600								
2B	800								
2C	1000								

Type No.	Maximum ratings				Electrical characteristics			Remarks	Outline drawing
	V _{RM} (V)	I _O (A)	I _{FSM} (A)	T _{stg} (°C)	V _F (V)		I _R (μA)		
					max	Conditions I _F (A)			
RM 2Z	200	1.2	100	-40~+130	0.91	1.5	10		6
2	400								
2A	600								
2B	800								
2C	1000	3.0*	200	-40~+150	0.95	3.0	10		7
RM 4Z	200								
4	400								
4A	600								
4B	800								
4C	1000								
SFPM-52	200	0.9	30	-40~+150	1.0	1.0	10		11
-54	400								
-62	200								
-64	400								

* installed on a heat sink

Center tap type diodes

(T_a=25°C)

Type No.	Maximum rated values				Electrical characteristics			Remarks	Outline drawing
	V _{RM} (V)	I _O (A)	I _{FSM} (A)	T _{stg} (°C)	V _F (V)		I _R (μA)		
					max	Conditions I _F (A)			
FMM-22S	200	10*	100	-40~+150	1.10	5.0	10		1
-22R									
-24S									
-24R									
-26S	600								
-26R									
FMM-32S	200	20*	120	-40~+150	1.10	10	10		2
-32R									
-34S									
-34R									

* installed on a heat sink

List of Taping Specifications for Sanken Diodes

T-91-20

Taping name	Taping dimensions (mm)	Packing dimensions (mm) and marking	Packing quantity
<p>V</p> <p>The suffix "V" is added to the type no.</p>	<p>Tape carrier method (applicable to SFP series)</p>	<p>Reel</p>	<p>1,800 pieces per reel.</p>
<p>V</p> <p>The suffix "V" is added to the type no.</p>	<p>Axial taping</p>	<p>Reel</p>	<p>5,000 pieces per reel (2.7 ø body) 3,000, pieces per reel (4 ø body)</p>
<p>V1</p> <p>The suffix "V1" is added to the type no.</p>	<p>Axial taping</p>	<p>Ammunition pack</p>	<p>3,000 pieces per box (2.4 ø body) 2,000 pieces per box (2.7 ø body) 1,000 pieces per box (4 ø body)</p>
<p>VO</p> <p>The suffix "VO" is added to the type no.</p>	<p>Axial taping</p>	<p>Ammunition pack</p>	<p>2,000 pieces per box (2.7 ø body) 3,000 pieces per box (2.4 ø body)</p>

Taping name	Taping dimensions (mm)	Packing dimensions (mm) and marking	Packing quantity
<p>W</p> <p>The suffix "W" is added to the type no.</p>	<p>Radial taping</p>	<p>Ammunition pack</p> <p>Dotted line: perforation</p>	<p>4,000 pieces per box (2.7 ø body) (0.6ø lead)</p>
<p>WS</p> <p>The suffix "WS" is added to the type no.</p>	<p>Radial taping (applicable to AO Series)</p>	<p>Ammunition pack</p> <p>Type no., lot number, and quantity indicated</p>	<p>2,500 pieces per box (2.4 ø body only)</p>
<p>WK</p> <p>The suffix "WK" is added to the type no.</p>	<p>Radial taping (applicable to AO Series)</p>	<p>Ammunition pack</p> <p>Type no., lot number, and quantity indicated</p>	<p>2,500 pieces per box (2.4 ø body only)</p>

Diode Outline Drawing

T-91-20

■ Diode/Outline Drawing Table (unit: mm)

Figure 1: full mold

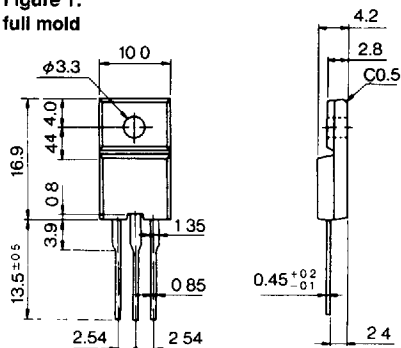


Figure 3

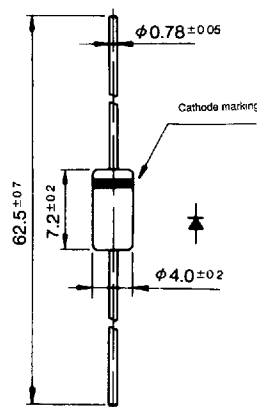


Figure 4

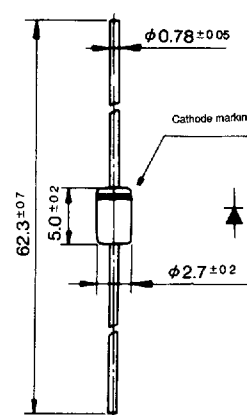


Figure 5

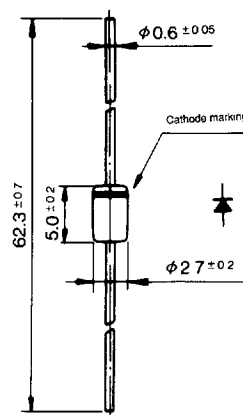


Figure 2: full mold

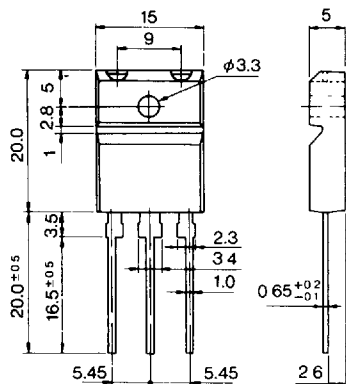


Figure 6

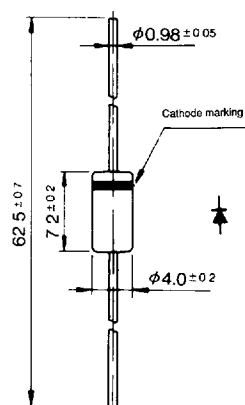


Figure 7

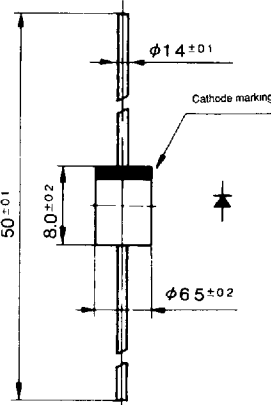


Figure 8

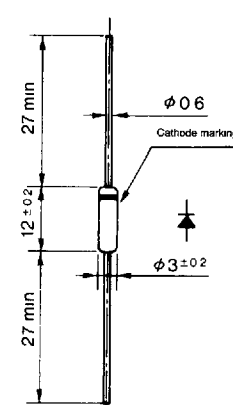


Figure 9

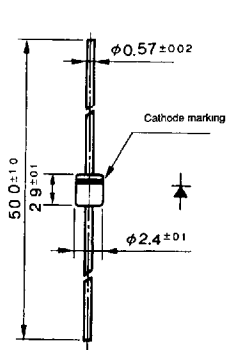


Figure 10

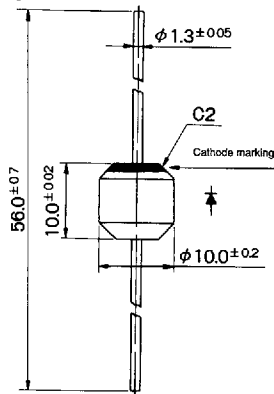


Figure 11

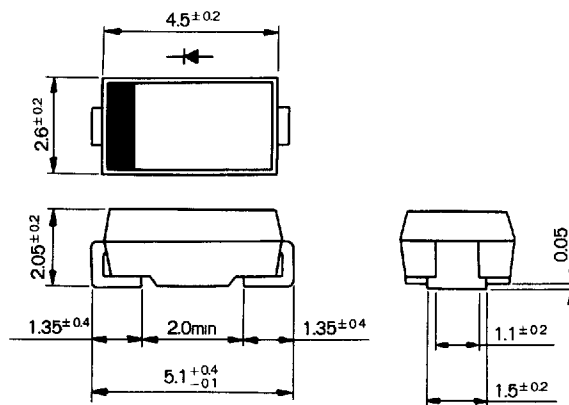


Figure 12

