
HA16603P/FP

Contactless Switch

HITACHI

ADE-204-063 (Z)
Rev. 0
Dec. 2000

Description

The HA16603P is an IC for use with metal proximity switches. It can be used for the coin sensor circuit in vending machines and similar microprocessor sensors.

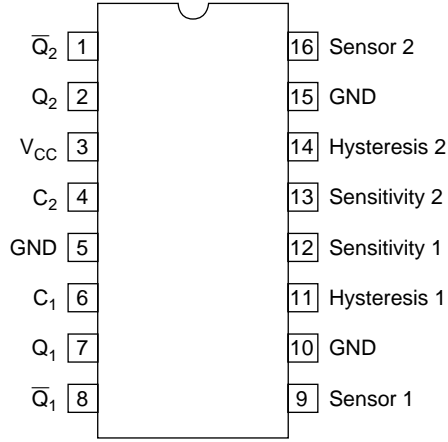
Features

- Two proximity switch channels
- The input and output pins are arranged in pairs for convenient printed circuit board mounting.
- Wide operating power-supply voltage range: 4.75 to 30 V
- Low power with a dissipation current of only 2.5 mA
- Normal and inverted outputs can be acquired at the same time.
- The outputs is available for current-source drive only since the internal circuits are NPN transistors with open emitter outputs.

Ordering Information

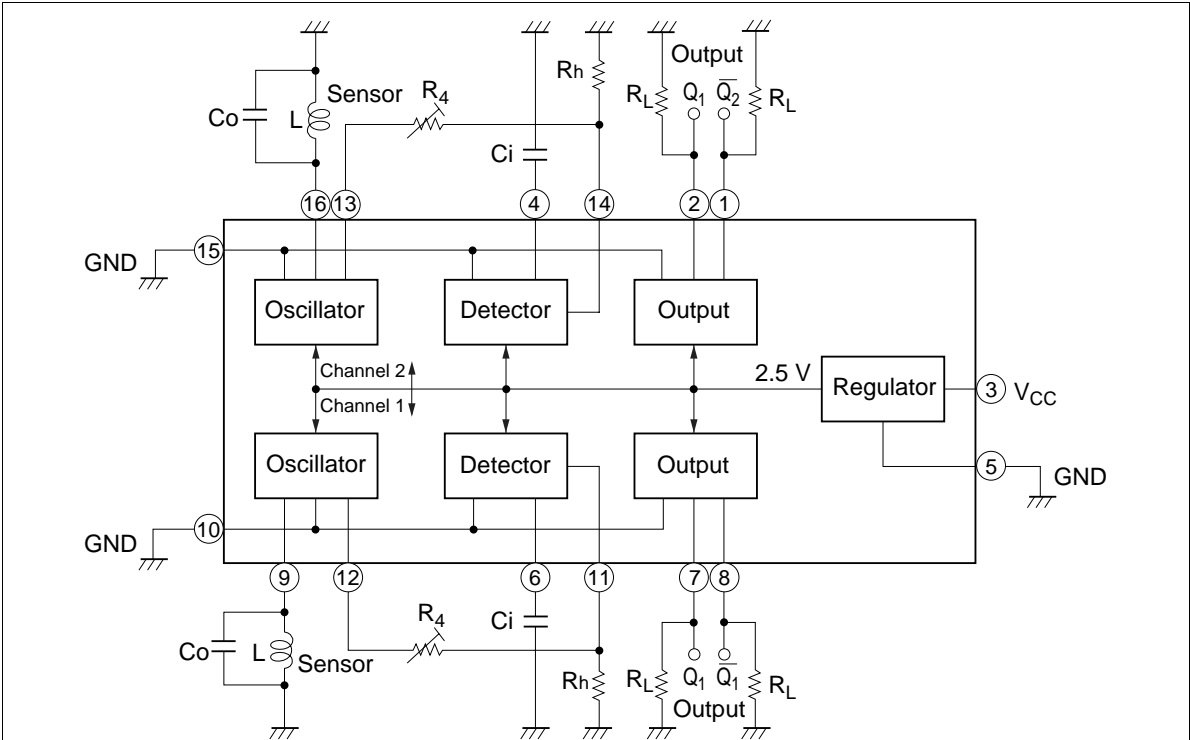
Type No.	Package
HA16603P	DP-16
HA16603FP	FP-16DA

Pin Arrangement



(Top view)

Block Diagram



- Notes: R₄: Sensing distance adjustment resistor
 Rh: Hysteresis resistor
 R_L: Leakage bypass resistor
 Ci: Detector integration capacitor

When a metallic object approaches the sensor coil L (sensor on), the outputs ⑦ and ② go to the high level and the outputs ① and ⑧ go to the low state.

Absolute Maximum Ratings ($T_a = 25^\circ\text{C}$)

Item	Symbol	Rating	Unit
Operating power-supply voltage range	V_{CC}	4.75 to 30	V
Output voltage	V_{OUT}	0 to V_{CC}	V
Hysteresis pin voltage	V_{11}, V_{14}	0 to V_{CC}	V
Sensor pin voltage	V_9, V_{16}	-1.3 to +2.0	V
Sensitivity pin voltage	V_{12}, V_{13}	-0.65 to +2.0	V
Capacitor pin voltage	V_4, V_6	0 to +2.0	V
Output source current	$I_{o(\text{source})}$	-7 to 0	mA
Hysteresis pin sink current	$I_{11}, I_{14 (\text{sink})}$	0 to +1.0	mA
Sensitivity pin source current	$I_{12}, I_{13 (\text{source})}$	-5 to +0.1	mA
Sensor pin source current	$I_9, I_{16 (\text{source})}$	-1.0 to 0	mA
Capacitor pin sink current	$I_4, I_{6 (\text{sink})}$	0 to +5.0	mA
Power dissipation*	P_T	625	mW
Capacitor pin source current	$I_4, I_{6 (\text{source})}$	-320 to 0	μA
Operating temperature	T_{opr}	-25 to +85	$^\circ\text{C}$
Storage temperature	T_{stg}	-40 to +125	$^\circ\text{C}$

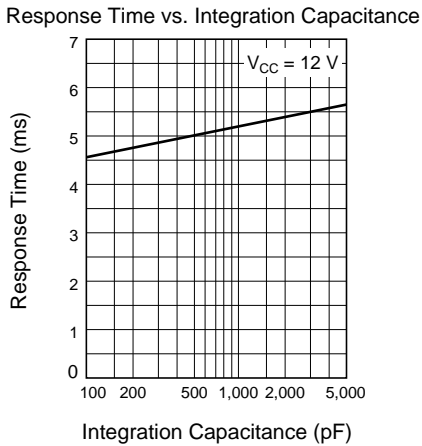
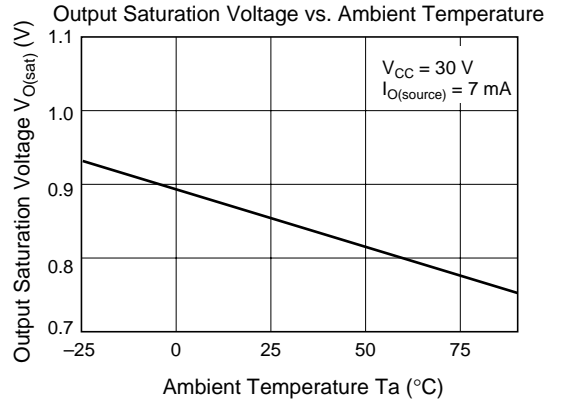
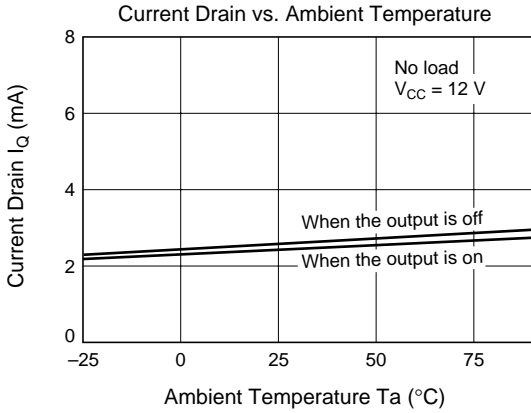
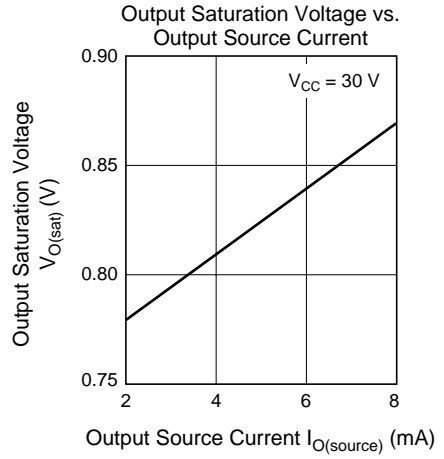
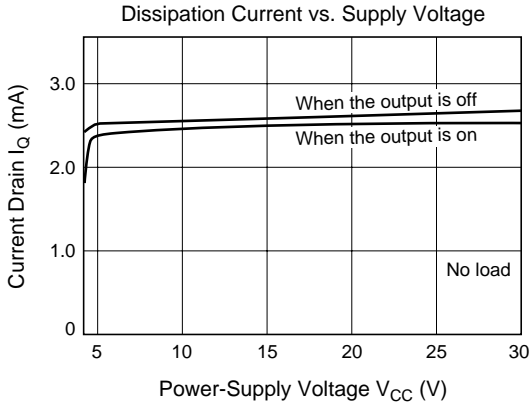
Note: When multiple maximum ratings apply to the same pin, the rating that corresponds to the smallest stress is the valid rating.

* See notes on SOP Package Usage in Reliability section.

Electrical Characteristics ($V_{CC} = 24\text{ V}$, $T_a = 25^\circ\text{C}$)

Item	Symbol	Min	Typ	Max	Unit	Test Condition	
Dissipation current	I_Q	—	2.5	6.0	mA	Sensor 1 and sensor 2: ground, $V_{CC} = 30\text{ V}$, sensitivity 1 and sensitivity 2: $10\text{ k}\Omega$ to ground	
Output saturation voltage	$V_{O(\text{sat})}$	—	—	1.0	V	$(V_{CC} - V_{OUT})$ $I_{O(\text{source})} = -7\text{ mA}$	$T_a = 25^\circ\text{C}$
		—	—	1.1	V		$T_a = -25^\circ\text{C}$
Output leakage current	$I_{O(\text{leak})}$	-600	—	—	nA	$V_{CC} = 30\text{ V}$	$T_a = 25^\circ\text{C}$
		-40	—	—	μA		$T_a = 85^\circ\text{C}$
Hysteresis pin internal resistance (on state)	r_{CS}	—	—	260	Ω	$I_{11}, I_{14(\text{sink})} = 500\text{ }\mu\text{A}$	
Hysteresis pin leakage current	$I_{11}, I_{14(\text{leak})}$	—	—	1	μA	$V_{CC} = 30\text{ V}, V_H = 5\text{ V}$	
Oscillator frequency	f_{OSC}	—	—	1,000	kHz		

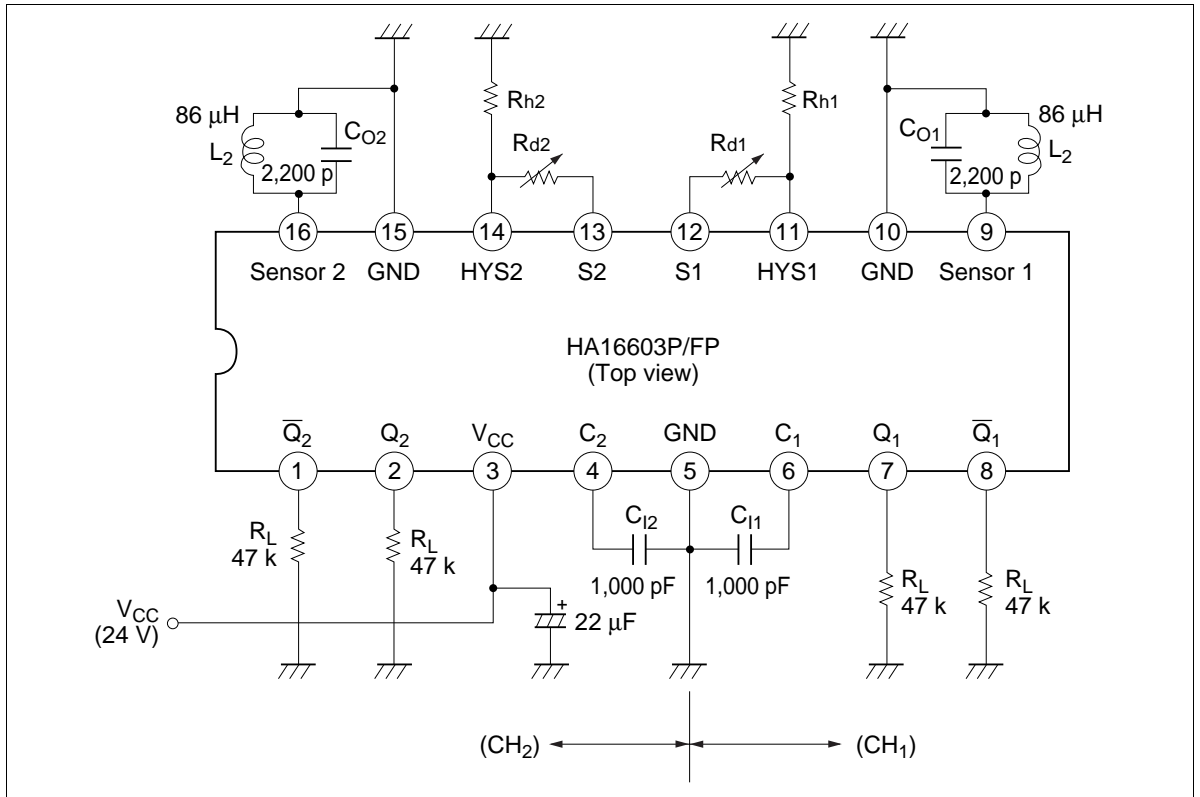
Characteristics Curves



Notes

- (1) An air-core coil must be used as the sensor coil.
- (2) This IC has 3 ground pins. All three ground pins must be connected to ground, even if only one channel is used.
- (3) If the sensitivity is is set too high for a sensor coil with bad temperature characteristics, the operating temperature range may become narrow. The operating temperature range for the whole system, including the sensor coil, can be expanded by holding down the sensitivity.

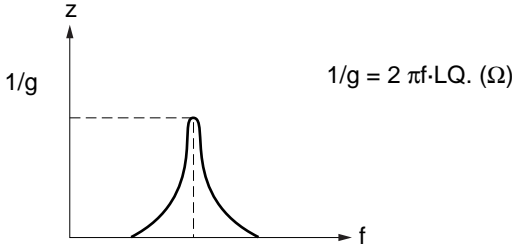
Sample Recommended Operating Circuit



The oscillator frequency is determined by the following formula.

$$f_{osc} = \frac{1}{2\pi\sqrt{LC_0}}$$

The tank circuit formed by L and C_0 has characteristic impedance shown in the figure. The condition for oscillation for the HA16603P is $R_d = 1/g$, and the condition for oscillation to stop is $R_d > 1/g$.



When R_d is connected to the hysteresis pin, $(R_d + r_{cs} // R_h) = 1/g$ is the condition for oscillation to start, and $(R_d + R_h) > 1/g$ is the condition for oscillation to stop. Note that r_{cs} is the internal resistance of the hysteresis pin.

The relationship between oscillation occurring or not and the detection of a metallic object is as follows:

Oscillation occurs: When no metallic object is detected (i.e. the sensor coil and the metallic object are separated)

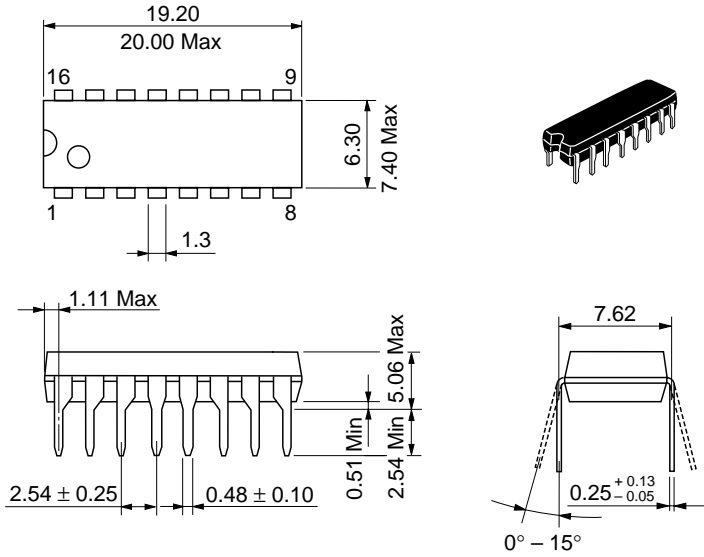
Oscillation stops: When a metallic object is detected (i.e. the metallic object is near the sensor coil)

Setting the Detection Distance

Since the detection distance depends on the Q of the sensor coil and the shape, surface area, thickness, and material of the metallic object, it can only be set by testing the completed system. Note that R_d sets the detection distance.

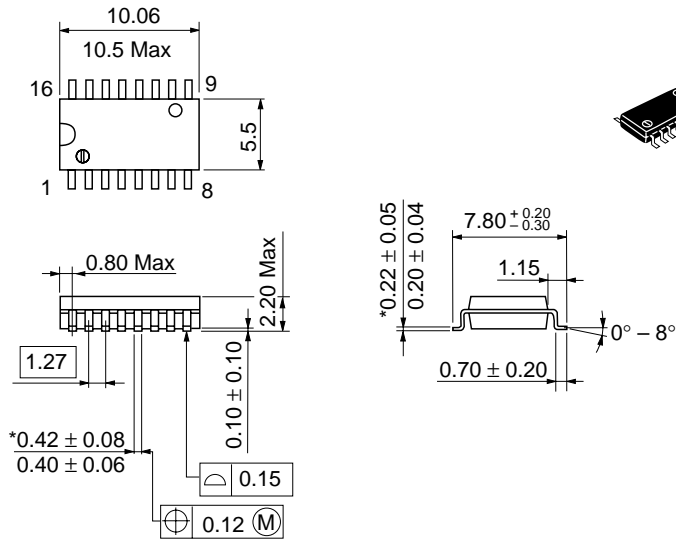
Package Dimensions

Unit: mm



Hitachi Code	DP-16
JEDEC	Conforms
EIAJ	Conforms
Mass (reference value)	1.07 g

Unit: mm



1.27	0.10 ± 0.10	0.15
*0.42 ± 0.08	0.40 ± 0.06	0.12 (M)

Hitachi Code	FP-16DA
JEDEC	—
EIAJ	Conforms
Mass (reference value)	0.24 g

*Dimension including the plating thickness
Base material dimension

Cautions

1. Hitachi neither warrants nor grants licenses of any rights of Hitachi's or any third party's patent, copyright, trademark, or other intellectual property rights for information contained in this document. Hitachi bears no responsibility for problems that may arise with third party's rights, including intellectual property rights, in connection with use of the information contained in this document.
2. Products and product specifications may be subject to change without notice. Confirm that you have received the latest product standards or specifications before final design, purchase or use.
3. Hitachi makes every attempt to ensure that its products are of high quality and reliability. However, contact Hitachi's sales office before using the product in an application that demands especially high quality and reliability or where its failure or malfunction may directly threaten human life or cause risk of bodily injury, such as aerospace, aeronautics, nuclear power, combustion control, transportation, traffic, safety equipment or medical equipment for life support.
4. Design your application so that the product is used within the ranges guaranteed by Hitachi particularly for maximum rating, operating supply voltage range, heat radiation characteristics, installation conditions and other characteristics. Hitachi bears no responsibility for failure or damage when used beyond the guaranteed ranges. Even within the guaranteed ranges, consider normally foreseeable failure rates or failure modes in semiconductor devices and employ systemic measures such as fail-safes, so that the equipment incorporating Hitachi product does not cause bodily injury, fire or other consequential damage due to operation of the Hitachi product.
5. This product is not designed to be radiation resistant.
6. No one is permitted to reproduce or duplicate, in any form, the whole or part of this document without written approval from Hitachi.
7. Contact Hitachi's sales office for any questions regarding this document or Hitachi semiconductor products.

HITACHI

Hitachi, Ltd.

Semiconductor & Integrated Circuits.
Nippon Bldg., 2-6-2, Ohte-machi, Chiyoda-ku, Tokyo 100-0004, Japan
Tel: Tokyo (03) 3270-2111 Fax: (03) 3270-5109

URL NorthAmerica : <http://semiconductor.hitachi.com/>
 Europe : <http://www.hitachi-eu.com/hel/ecg>
 Asia : <http://sicapac.hitachi-asia.com>
 Japan : <http://www.hitachi.co.jp/Sicd/indx.htm>

For further information write to:

Hitachi Semiconductor
(America) Inc.
179 East Tasman Drive,
San Jose, CA 95134
Tel: <1> (408) 433-1990
Fax: <1> (408) 433-0223

Hitachi Europe GmbH
Electronic Components Group
Dornacher StraÙe 3
D-85622 Feldkirchen, Munich
Germany
Tel: <49> (89) 9 9180-0
Fax: <49> (89) 9 29 30 00

Hitachi Europe Ltd.
Electronic Components Group.
Whitebrook Park
Lower Cookham Road
Maidenhead
Berkshire SL6 8YA, United Kingdom
Tel: <44> (1628) 585000
Fax: <44> (1628) 585160

Hitachi Asia Ltd.
Hitachi Tower
16 Collyer Quay #20-00,
Singapore 049318
Tel: <65>-538-6533/538-8577
Fax : <65>-538-6933/538-3877
URL : <http://www.hitachi.com.sg>

Hitachi Asia Ltd.
(Taipei Branch Office)
4/F, No. 167, Tun Hwa North Road,
Hung-Kuo Building,
Taipei (105), Taiwan
Tel: <886>-(2)-2718-3666
Fax : <886>-(2)-2718-8180
Telex : 23222 HAS-TP
URL : <http://www.hitachi.com.tw>

Hitachi Asia (Hong Kong) Ltd.
Group III (Electronic Components)
7/F., North Tower,
World Finance Centre,
Harbour City, Canton Road
Tsim Sha Tsui, Kowloon,
Hong Kong
Tel : <852>-(2)-735-9218
Fax : <852>-(2)-730-0281
URL : <http://www.hitachi.com.hk>

Copyright © Hitachi, Ltd., 2000. All rights reserved. Printed in Japan.
Colophon 2.0

HITACHI