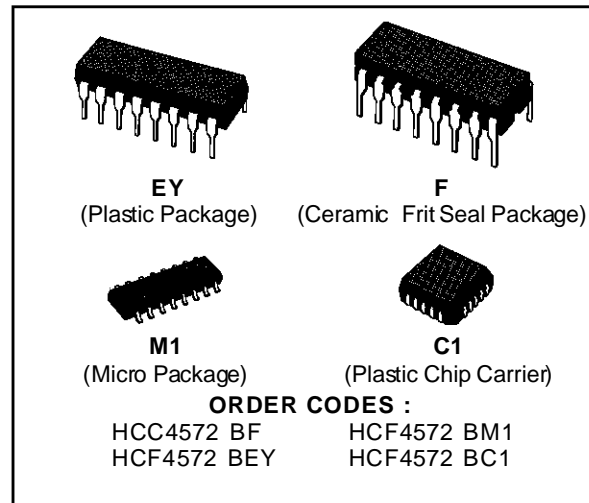


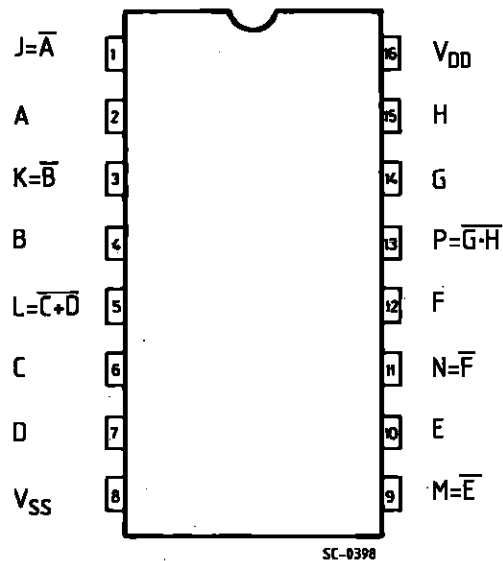
**HEX GATE**

**PRODUCT PREVIEW**

- VERY LOW QUIESCENT CURRENT
- HIGH NOISE IMMUNITY
- SINGLE SUPPLY OPERATION
- SUPPLY VOLTAGE RANGE 3V TO 18V
- HIGH INPUT IMPEDANCE
- PIN LAYOUT OPTIMISED FOR MAXIMUM FLEXIBILITY



**PIN CONNECTION (top view)**



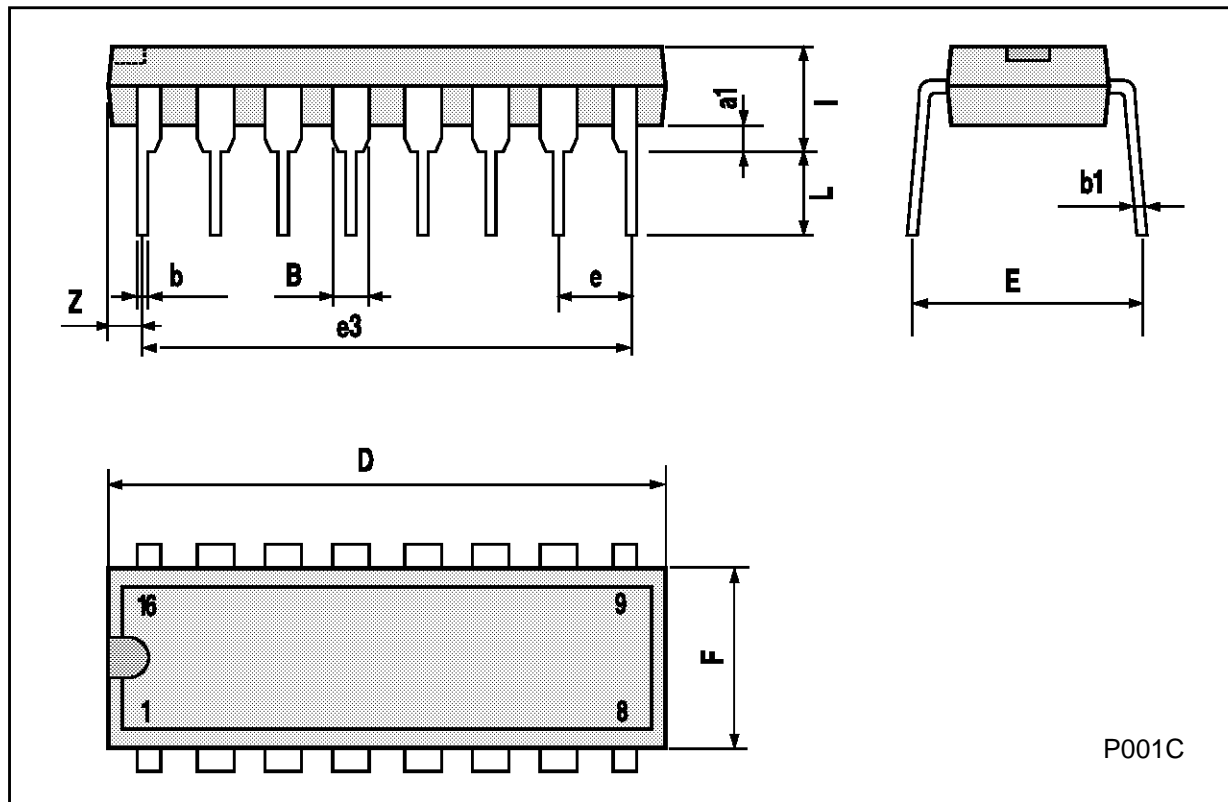
**DESCRIPTION**

The HCC4572B and HCF4572B are a monolithic integrated circuits, available in 16-lead dual-in-line plastic and ceramic packages and plastic micro packages.

The HCC4572B and HCF4572B are hex functional gates containing one NOR gate, one NAND gate and four inverters. These devices are intended for application where low power dissipation and/or high noise immunity is required.

## Plastic DIP16 (0.25) MECHANICAL DATA

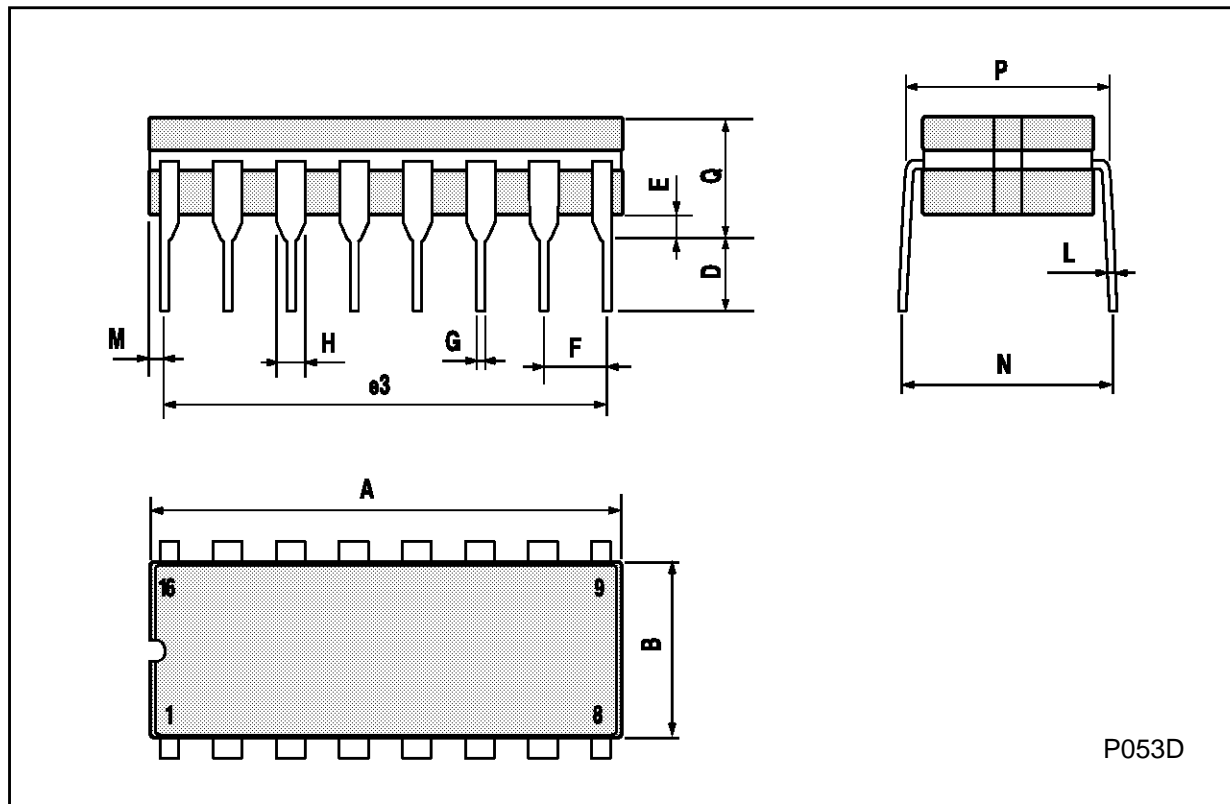
| DIM. | mm   |       |      | inch  |       |       |
|------|------|-------|------|-------|-------|-------|
|      | MIN. | TYP.  | MAX. | MIN.  | TYP.  | MAX.  |
| a1   | 0.51 |       |      | 0.020 |       |       |
| B    | 0.77 |       | 1.65 | 0.030 |       | 0.065 |
| b    |      | 0.5   |      |       | 0.020 |       |
| b1   |      | 0.25  |      |       | 0.010 |       |
| D    |      |       | 20   |       |       | 0.787 |
| E    |      | 8.5   |      |       | 0.335 |       |
| e    |      | 2.54  |      |       | 0.100 |       |
| e3   |      | 17.78 |      |       | 0.700 |       |
| F    |      |       | 7.1  |       |       | 0.280 |
| I    |      |       | 5.1  |       |       | 0.201 |
| L    |      | 3.3   |      |       | 0.130 |       |
| Z    |      |       | 1.27 |       |       | 0.050 |



P001C

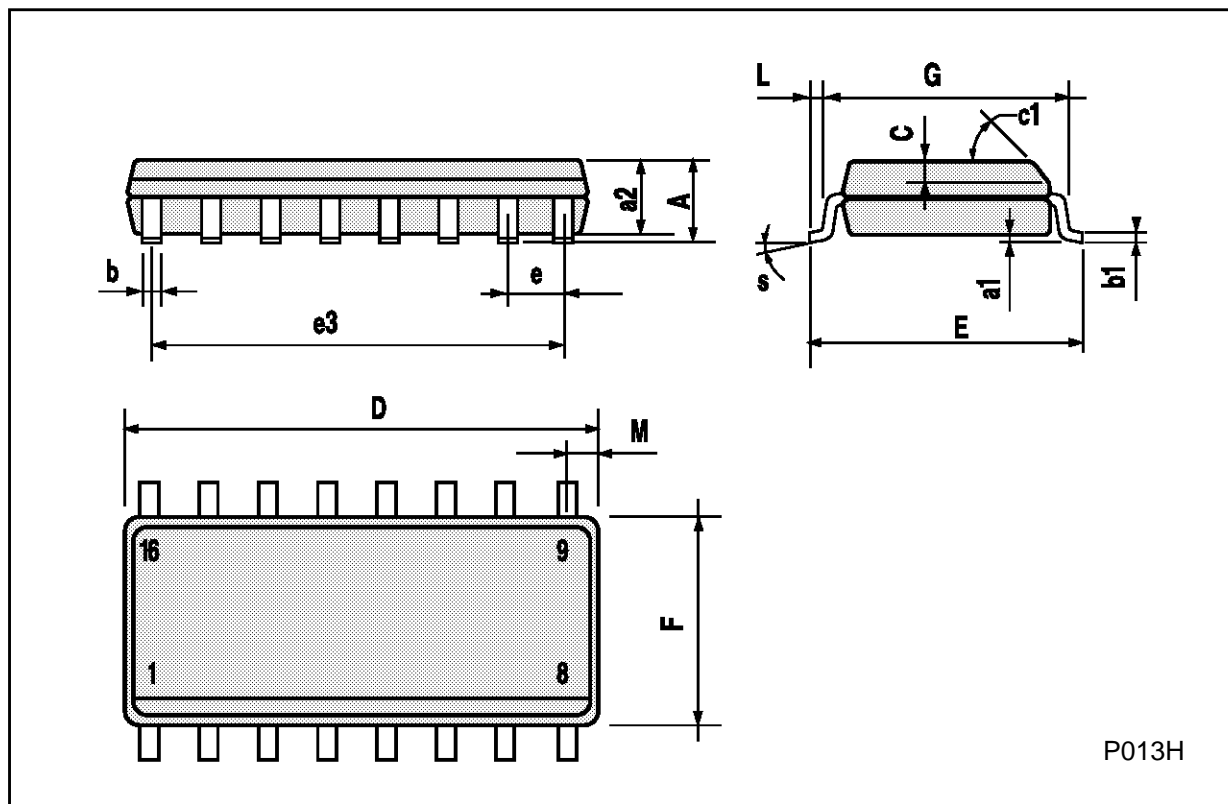
## Ceramic DIP16/1 MECHANICAL DATA

| DIM. | mm   |       |      | inch  |       |       |
|------|------|-------|------|-------|-------|-------|
|      | MIN. | TYP.  | MAX. | MIN.  | TYP.  | MAX.  |
| A    |      |       | 20   |       |       | 0.787 |
| B    |      |       | 7    |       |       | 0.276 |
| D    |      | 3.3   |      |       | 0.130 |       |
| E    | 0.38 |       |      | 0.015 |       |       |
| e3   |      | 17.78 |      |       | 0.700 |       |
| F    | 2.29 |       | 2.79 | 0.090 |       | 0.110 |
| G    | 0.4  |       | 0.55 | 0.016 |       | 0.022 |
| H    | 1.17 |       | 1.52 | 0.046 |       | 0.060 |
| L    | 0.22 |       | 0.31 | 0.009 |       | 0.012 |
| M    | 0.51 |       | 1.27 | 0.020 |       | 0.050 |
| N    |      |       | 10.3 |       |       | 0.406 |
| P    | 7.8  |       | 8.05 | 0.307 |       | 0.317 |
| Q    |      |       | 5.08 |       |       | 0.200 |



## SO16 (Narrow) MECHANICAL DATA

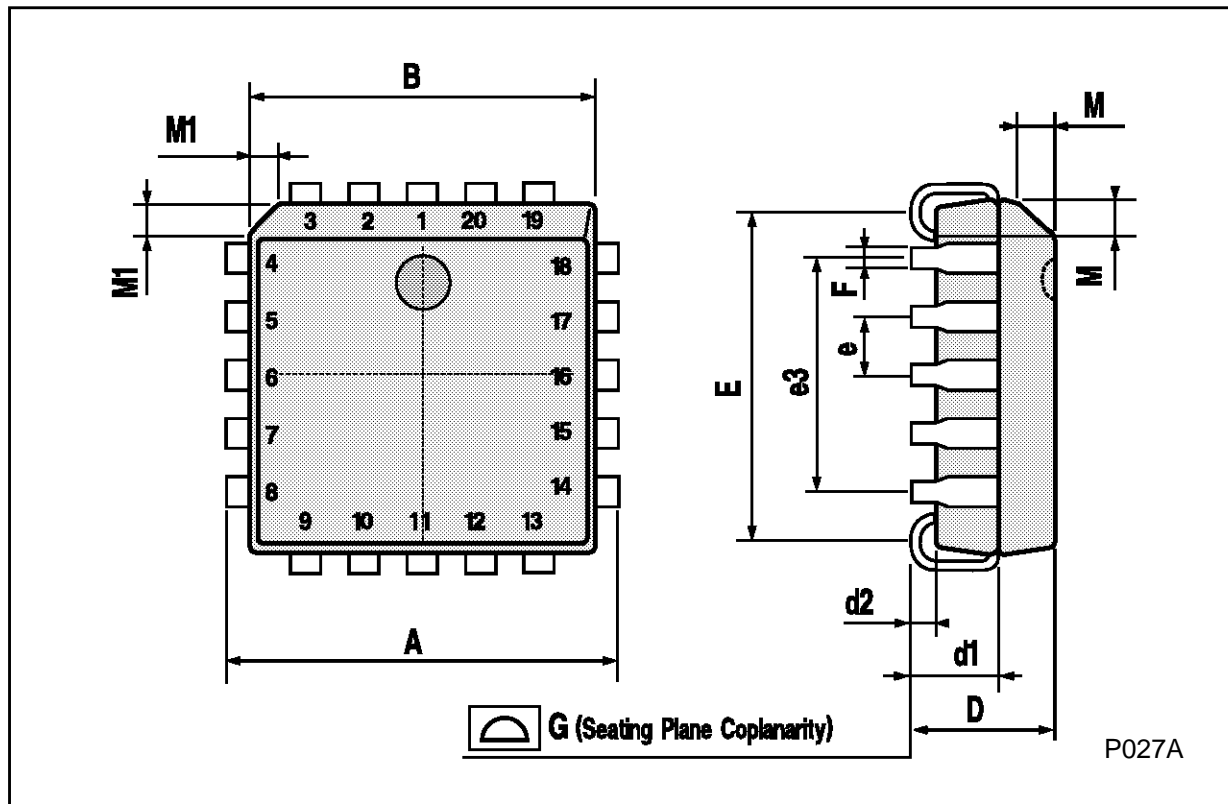
| DIM. | mm         |      |      | inch  |       |       |
|------|------------|------|------|-------|-------|-------|
|      | MIN.       | TYP. | MAX. | MIN.  | TYP.  | MAX.  |
| A    |            |      | 1.75 |       |       | 0.068 |
| a1   | 0.1        |      | 0.2  | 0.004 |       | 0.007 |
| a2   |            |      | 1.65 |       |       | 0.064 |
| b    | 0.35       |      | 0.46 | 0.013 |       | 0.018 |
| b1   | 0.19       |      | 0.25 | 0.007 |       | 0.010 |
| C    |            | 0.5  |      |       | 0.019 |       |
| c1   | 45° (typ.) |      |      |       |       |       |
| D    | 9.8        |      | 10   | 0.385 |       | 0.393 |
| E    | 5.8        |      | 6.2  | 0.228 |       | 0.244 |
| e    |            | 1.27 |      |       | 0.050 |       |
| e3   |            | 8.89 |      |       | 0.350 |       |
| F    | 3.8        |      | 4.0  | 0.149 |       | 0.157 |
| G    | 4.6        |      | 5.3  | 0.181 |       | 0.208 |
| L    | 0.5        |      | 1.27 | 0.019 |       | 0.050 |
| M    |            |      | 0.62 |       |       | 0.024 |
| S    | 8° (max.)  |      |      |       |       |       |



P013H

## PLCC20 MECHANICAL DATA

| DIM. | mm   |      |       | inch  |       |       |
|------|------|------|-------|-------|-------|-------|
|      | MIN. | TYP. | MAX.  | MIN.  | TYP.  | MAX.  |
| A    | 9.78 |      | 10.03 | 0.385 |       | 0.395 |
| B    | 8.89 |      | 9.04  | 0.350 |       | 0.356 |
| D    | 4.2  |      | 4.57  | 0.165 |       | 0.180 |
| d1   |      | 2.54 |       |       | 0.100 |       |
| d2   |      | 0.56 |       |       | 0.022 |       |
| E    | 7.37 |      | 8.38  | 0.290 |       | 0.330 |
| e    |      | 1.27 |       |       | 0.050 |       |
| e3   |      | 5.08 |       |       | 0.200 |       |
| F    |      | 0.38 |       |       | 0.015 |       |
| G    |      |      | 0.101 |       |       | 0.004 |
| M    |      | 1.27 |       |       | 0.050 |       |
| M1   |      | 1.14 |       |       | 0.045 |       |



---

Information furnished is believed to be accurate and reliable. However, SGS-THOMSON Microelectronics assumes no responsibility for the consequences of use of such information nor for any infringement of patents or other rights of third parties which may result from its use. No license is granted by implication or otherwise under any patent or patent rights of SGS-THOMSON Microelectronics. Specifications mentioned in this publication are subject to change without notice. This publication supersedes and replaces all information previously supplied. SGS-THOMSON Microelectronics products are not authorized for use as critical components in life support devices or systems without express written approval of SGS-THOMSON Microelectronics.

© 1994 SGS-THOMSON Microelectronics - All Rights Reserved

SGS-THOMSON Microelectronics GROUP OF COMPANIES

Australia - Brazil - France - Germany - Hong Kong - Italy - Japan - Korea - Malaysia - Malta - Morocco - The Netherlands -  
Singapore - Spain - Sweden - Switzerland - Taiwan - Thailand - United Kingdom - U.S.A