

L5631



3000A

Monolithic IC

Electronic Tuner Voltage Regulator

©1372B

Features

- . Small temperature coefficient of regulated voltage
- . Small dynamic resistance

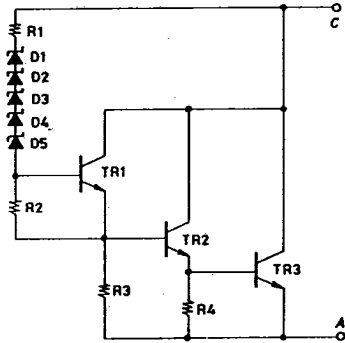
Maximum Ratings at Ta=25°C

			unit
Supply Current	I_Z	10	mA
Allowable Power Dissipation	P_{dmax}	400	mW
Operating Temperature	T_{opg}	-20 to +75	°C
Storage Temperature	T_{stg}	-40 to +125	°C

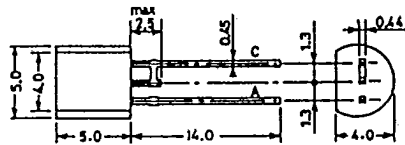
Operating Characteristics at Ta=25°C

			min	typ	max	unit
Regulated Voltage	V_Z	$I_Z=5mA$	31		35	V
Temperature Coefficient of Regulated Voltage	$\Delta V_Z/\Delta T$	$I_Z=5mA, T_a=-20 \text{ to } +75^\circ C$	-1		+1	mV/°C
Dynamic Resistance	r_Z	$I_Z=5mA, f=1kHz, i=0.5mA$		10	25	ohm

Equivalent Circuit



Case Outline 3000A-S2TR
(unit:mm)



C: Cathode
A: Anode
SANYO: NPC1

8287KI/6115KI/3024KI, TS No. 1372-1/2

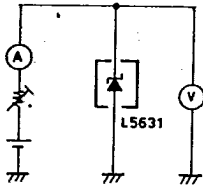
617

T-58-11-23

L5631

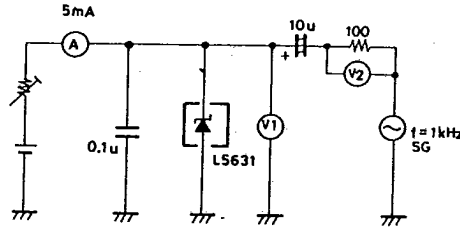
Test Circuits

(1) V_Z , regulated voltage



Adjust V_R so that (A) reads 5mA. Then, read V_Z on (V).

(2) r_o dynamic resistance



The AC current flowing through the Zener diode is $V_{2pp}/100\text{ohm}$ App. Set the SG level so that $V_{2pp}=50\text{mV}_{pp}$ is yielded. Then, read V_{1pp} and calculate r_o by $r_o=V_{1pp}/0.5\text{mA}$.

