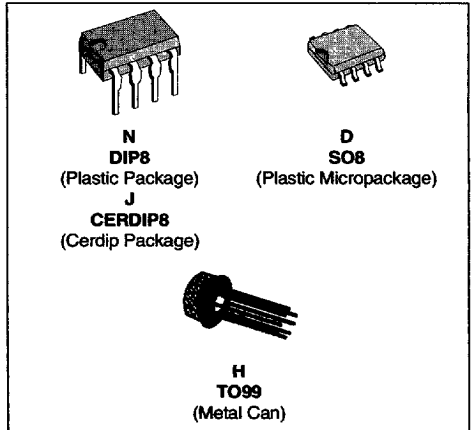


LOW POWER DUAL OPERATIONAL AMPLIFIERS

- INTERNALLY FREQUENCY COMPENSATED
- LARGE DC VOLTAGE GAIN : 100dB
- WIDE BANDWIDTH (unity gain) : 1.1MHz (temperature compensated)
- VERY LOW SUPPLY CURRENT/AMPLI (500 μ A) - ESSENTIALLY INDEPENDENT OF SUPPLY VOLTAGE
- LOW INPUT BIAS CURRENT : 20nA (temperature compensated)
- LOW INPUT OFFSET VOLTAGE : 2mV
- LOW INPUT OFFSET CURRENT : 2nA
- INPUT COMMON-MODE VOLTAGE RANGE INCLUDES GROUND
- DIFFERENTIAL INPUT VOLTAGE RANGE EQUAL TO THE POWER SUPPLY VOLTAGE
- LARGE OUTPUT VOLTAGE SWING 0V TO ($V_{CC} - 1.5V$)



DESCRIPTION

These circuits consist of two independent, high gain, internally frequency compensated which were designed specifically to operate from a single power supply over a wide range of voltages. The low power supply drain is independent of the magnitude of the power supply voltage.

Application areas include transducer amplifiers, dc gain blocks and all the conventional op-amp circuits which now can be more easily implemented in single power supply systems. For example, these circuits can be directly operated off the standard +5V power supply voltage which is used in logic systems and will easily provide the required interface electronics without requiring any additional power supply.

In the linear mode the input common-mode voltage range includes ground and the output voltage can also swing to ground, even though operated from only a single power supply voltage.

The gain-bandwidth product is temperature compensated.

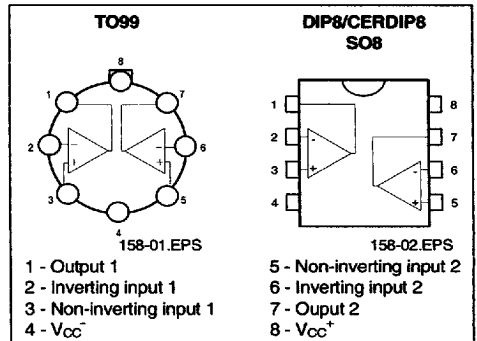
ORDER CODES

Part Number	Temperature Range	Package			
		H	N	J	D
LM158/A	-55°C, +125°C	•	•	•	•
LM258/A	-40°C, +105°C	•	•	•	•
LM358/A	0°C, +70°C	•	•	•	•
LM2904	-40°C, +105°C	•	•	•	•

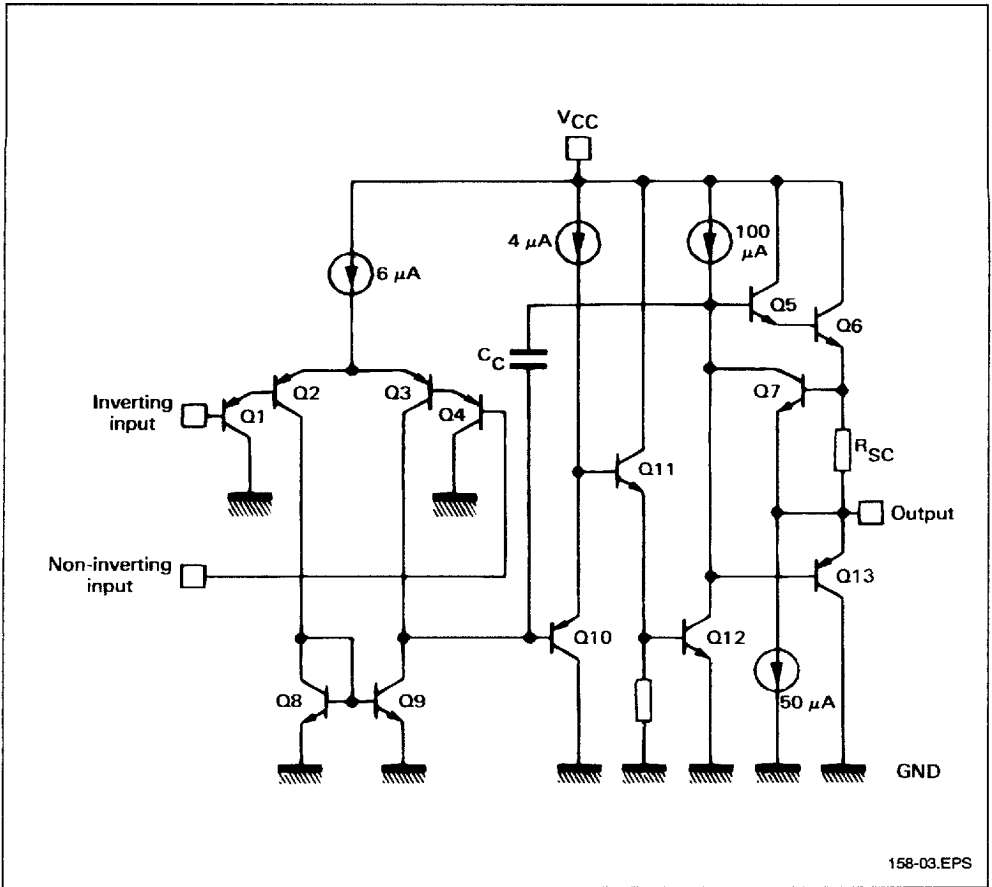
Examples : LM158H, LM258N, LM2904D

158-01.TBL

PIN CONNECTIONS (top views)



SCHEMATIC DIAGRAM (1/2 LM158)



158-03.EPS

ABSOLUTE MAXIMUM RATINGS

Symbol	Parameter	LM158,A	LM258,A LM2904	LM358,A	Unit
V _{CC}	Supply Voltage	+32	+32	+32	V
V _i	Input Voltage	-0.3 to +32	-0.3 to +32	-0.3 to +32	V
V _{id}	Differential Input Voltage	+32	+32	+32	V
	Output Short-circuit Duration - (note 2)	Infinite			
P _{tot}	Power Dissipation	500	500	500	mW
I _{in}	Input Current - (note 1)	50	50	50	mA
T _{oper}	Operating Free-air Temperature Range	-55 to +125	-40 to +105	0 to +70	°C
T _{stg}	Storage Temperature Range	-65 to +150	-65 to +150	-65 to +150	°C

158-02.TBL

2/12 7929237 0052905 662

ELECTRICAL CHARACTERISTICS

$V_{CC}^+ = +5V$, $V_{CC}^- = \text{Ground}$, $V_O = 1.4V$, $T_{amb} = 25^\circ C$ (unless otherwise specified)

Symbol	Parameter	LM158A LM258A LM358A			LM158 - LM258 LM358 - LM2904			Unit
		Min.	Typ.	Max.	Min.	Typ.	Max.	
V_{io}	Input Offset Voltage - (note 3) $T_{amb} = 25^\circ C$ LM158, LM258 LM158A $T_{min.} \leq T_{amb} \leq T_{max.}$ LM158, LM258		1	3		2	7 5	mV
I_{io}	Input Offset Current $T_{amb} = 25^\circ C$ $T_{min.} \leq T_{amb} \leq T_{max.}$		2	10 30		2	30 40	nA
I_{ib}	Input Bias Current - (note 4) $T_{amb} = 25^\circ C$ $T_{min.} \leq T_{amb} \leq T_{max.}$		20	50 100		20	150 200	nA
A_{vd}	Large Signal Voltage Gain ($V_{CC} = +15V$, $R_L = 2k\Omega$, $V_O = 1.4V$ to $11.4V$) $T_{amb} = 25^\circ C$ $T_{min.} \leq T_{amb} \leq T_{max.}$	50 25	100		50 25	100		V/mV
SVR	Supply Voltage Rejection Ratio ($R_S = 10k\Omega$) ($V_{CC}^+ = 5$ to $30V$) $T_{amb} = 25^\circ C$ $T_{min.} \leq T_{amb} \leq T_{max.}$	65 65	100		65 65	100		dB
I_{CC}	Supply Current, all Amp, no Load $V_{CC} = +5V$, $T_{min.} \leq T_{amb} \leq T_{max.}$ $V_{CC} = +30V$, $T_{min.} \leq T_{amb} \leq T_{max.}$		0.7	1.2 2		0.7	1.2 2	mA
V_{ICM}	Input Common Mode Voltage Range ($V_{CC} = +30V$) - (note 6) $T_{amb} = 25^\circ C$ $T_{min.} \leq T_{amb} \leq T_{max.}$	0 0		$V_{CC}^+ - 1.5$ $V_{CC}^+ - 2$	0 0		$V_{CC}^+ - 1.5$ $V_{CC}^+ - 2$	V
CMR	Common-mode Rejection Ratio ($R_S = 10k\Omega$) $T_{amb} = 25^\circ C$ $T_{min.} \leq T_{amb} \leq T_{max.}$	70 60	85		70 60	85		dB
I_O	Output Short Circuit Current ($V_{CC} = +15V$, $V_O = 2V$, $V_{ID} = +1V$)	20	40	60	20	40	60	mA
I_{SINK}	Output Current Sink ($V_{ID} = -1V$) $V_{CC} = +15V$, $V_O = 2V$ $V_{CC} = +15V$, $V_O = +0.2V$	10 12	20 50		10 12	20 50		mA μA
V_{OPP}	Output Voltage Swing ($R_L = 2k\Omega$) $T_{amb} = 25^\circ C$ $T_{min.} \leq T_{amb} \leq T_{max.}$	0 0		$V_{CC}^+ - 1.5$ $V_{CC}^+ - 2$	0 0		$V_{CC}^+ - 1.5$ $V_{CC}^+ - 2$	V
V_{OH}	High Level Output Voltage ($V_{CC}^+ = 30V$) $T_{amb} = 25^\circ C$ $R_L = 2k\Omega$ $T_{min.} \leq T_{amb} \leq T_{max.}$ $R_L = 10k\Omega$ $T_{amb} = 25^\circ C$ $R_L = 10k\Omega$ $T_{min.} \leq T_{amb} \leq T_{max.}$	26 26 27 27	27 28		26 26 27 27	27 28		V
V_{OL}	Low Level Output Voltage ($R_L = 10k\Omega$) $T_{amb} = 25^\circ C$ $T_{min.} \leq T_{amb} \leq T_{max.}$		5	20 20		5	20 20	mV
SR	Slew Rate ($V_{CC} = 15V$, $V_I = 0.5$ to $3V$, $R_L = 2k\Omega$, $C_L = 100pF$, $T_{amb} = 25^\circ C$, unity gain)	0.3	0.6		0.3	0.6		V/ μs

158-03.TBL

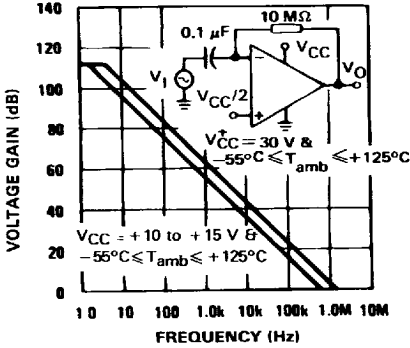
7929237 0052906 5T9

ELECTRICAL CHARACTERISTICS (continued)

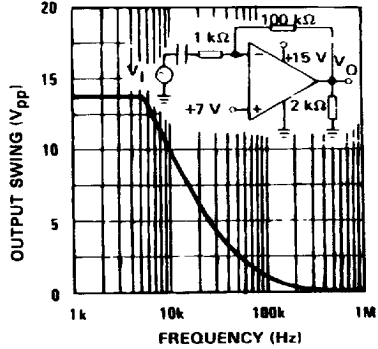
Symbol	Parameter	LM158A LM258A LM358A			LM158 - LM258 LM358 - LM2904			Unit
		Min.	Typ.	Max.	Min.	Typ.	Max.	
GBP	Gain Bandwidth Product ($V_{CC} = 30V$, $f = 100kHz$, $T_{amb} = 25^{\circ}C$, $V_{in} = 10mV$, $R_L = 2k\Omega$, $C_L = 100pF$)	0.7	1.1		0.7	1.1		MHz
THD	Total Harmonic Distortion ($f = 1kHz$, $A_v = 20dB$, $R_L = 2k\Omega$, $V_{CC} = 30V$, $C_L = 100pF$, $T_{amb} = 25^{\circ}C$, $V_O = 2 PP$)		0.02			0.02		%
e_n	Equivalent Input Noise voltage ($f = 1kHz$, $R_s = 100\Omega$, $V_{CC} = 30V$)		55			55		$\frac{nV}{\sqrt{Hz}}$
DV_{io}	Input Offset Voltage Drift		7	15		7	30	$\mu V/^{\circ}C$
DI_{io}	Input Offset Current Drift		10	200		10	300	$pA/^{\circ}C$
V_{O1}/V_{O2}	Channel Separation (note 5) $1kHz \leq f \leq 20kHz$		120			120		dB

- Notes :
1. This input current only exist when the voltage at any of the input leads is driven negative. It is due to the collector-base junction of the input PNP transistor becoming forward biased and thereby acting as input diode clamps. In addition to this diode action, there is also NPN parasitic action on the IC chip. This transistor action can cause the output voltages of the Op-amps to go to the V_{CC} voltage level (or to ground for a large overdrive) for the time duration that an input is driven negative. This is not destructive and normal output will set up again for input voltage higher than $-0.3V$.
 2. Short-circuits from the output to V_{CC} can cause excessive heating if $V_{CC} > 15V$. The maximum output current is approximately 40mA independent of the magnitude of V_{CC} . Destructive dissipation can result from simultaneous short-circuits on all amplifiers.
 3. $V_O = 1.4V$, $R_S = 0\Omega$, $5V < V_{CC} < 30V$, $0 < V_{ic} < V_{CC} - 1.5V$.
 4. The direction of the input current is out of the IC. This current is essentially constant, independent of the state of the output so no loading change exists on the input lines.
 5. Due to the proximity of external components insure that coupling is not originating via stray capacitance between these external parts. This typically can be detected as this type of capacitance increases at higher frequencies.
 6. The input common-mode voltage of either input signal voltage should not be allowed to go negative by more than $0.3V$. The upper end of the common-mode voltage range is $V_{CC} - 1.5V$.
But either or both inputs can go to $+32V$ without damage.

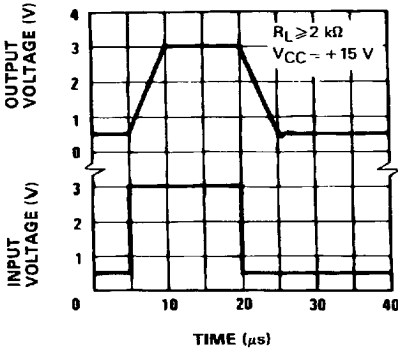
OPEN LOOP FREQUENCY RESPONSE (Note 3)



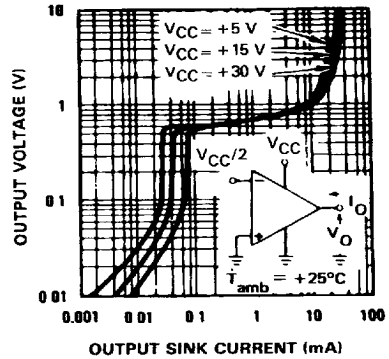
LARGE SIGNAL FREQUENCY RESPONSE



VOLTAGE FOLLOWER PULSE RESPONSE

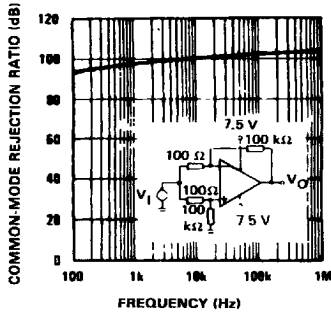


OUTPUT CHARACTERISTICS



158-04.EPS

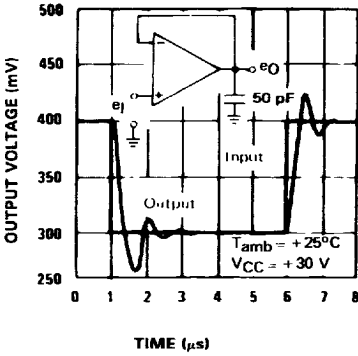
COMMON-MODE REJECTION RATIO



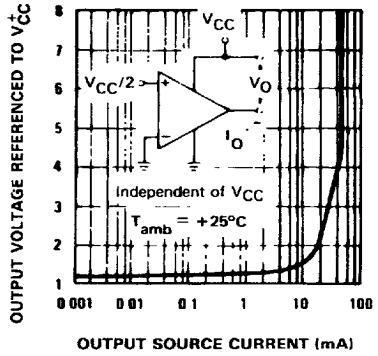
158-05.EPS

7929237 0052908 371

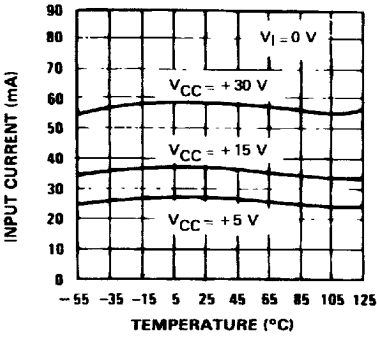
VOLTAGE FOLLOWER PULSE RESPONSE (SMALL SIGNAL)



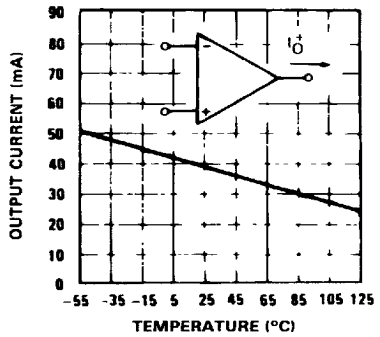
OUTPUT CHARACTERISTICS



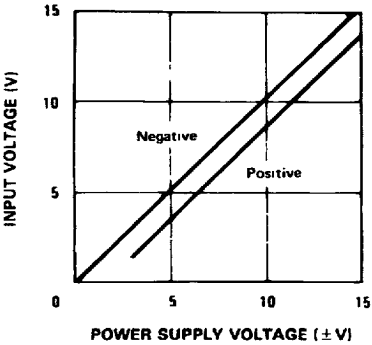
INPUT CURRENT (Note 1)



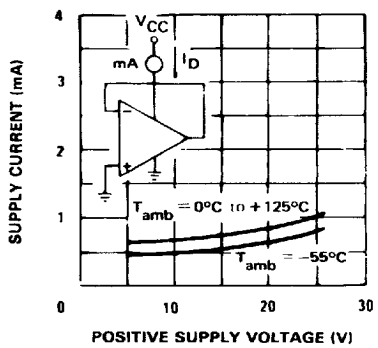
CURRENT LIMITING (Note 1)



INPUT VOLTAGE RANGE

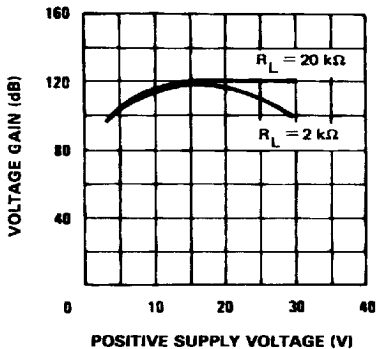


SUPPLY CURRENT



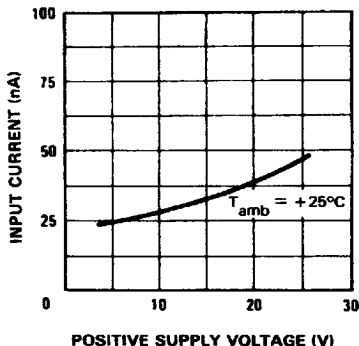
158-06.EPS

VOLTAGE GAIN



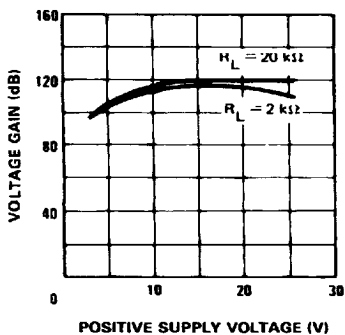
158-07.EPS

INPUT CURRENT



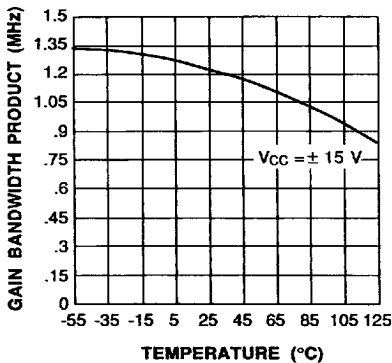
158-08.EPS

VOLTAGE GAIN



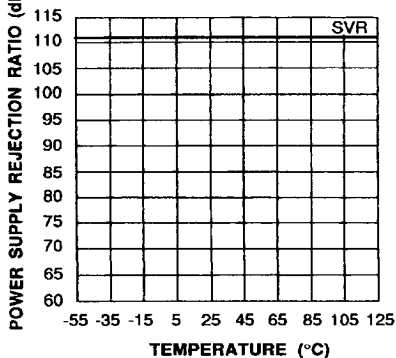
158-09.EPS

GAIN BANDWIDTH PRODUCT



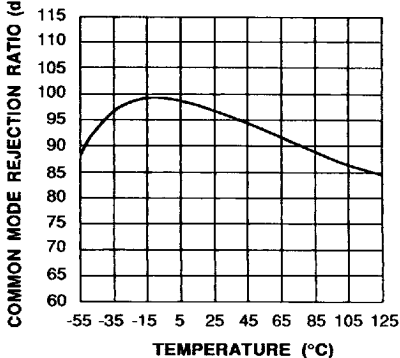
158-10.EPS

POWER SUPPLY REJECTION RATIO



158-11.EPS

COMMON MODE REJECTION RATIO

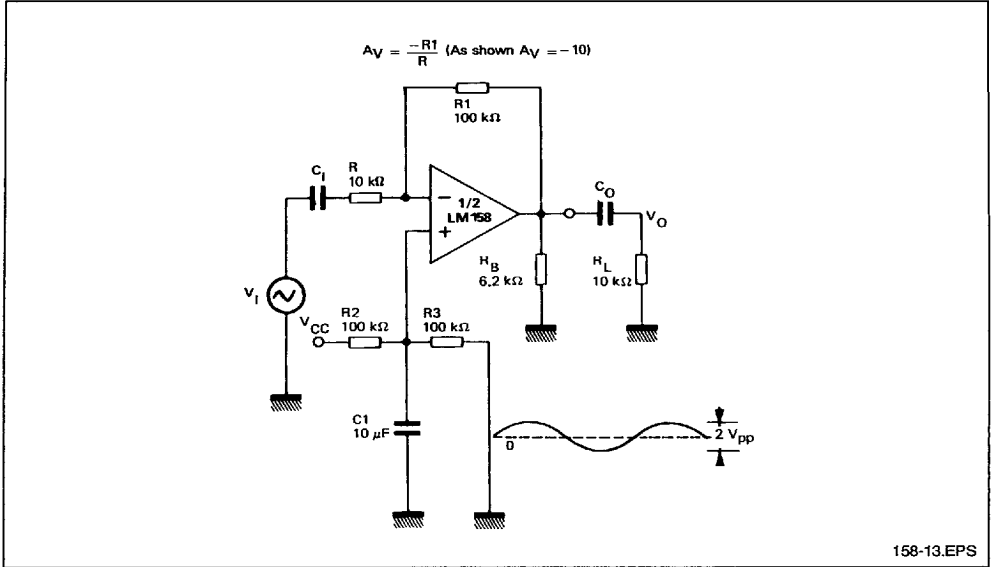


158-12.EPS

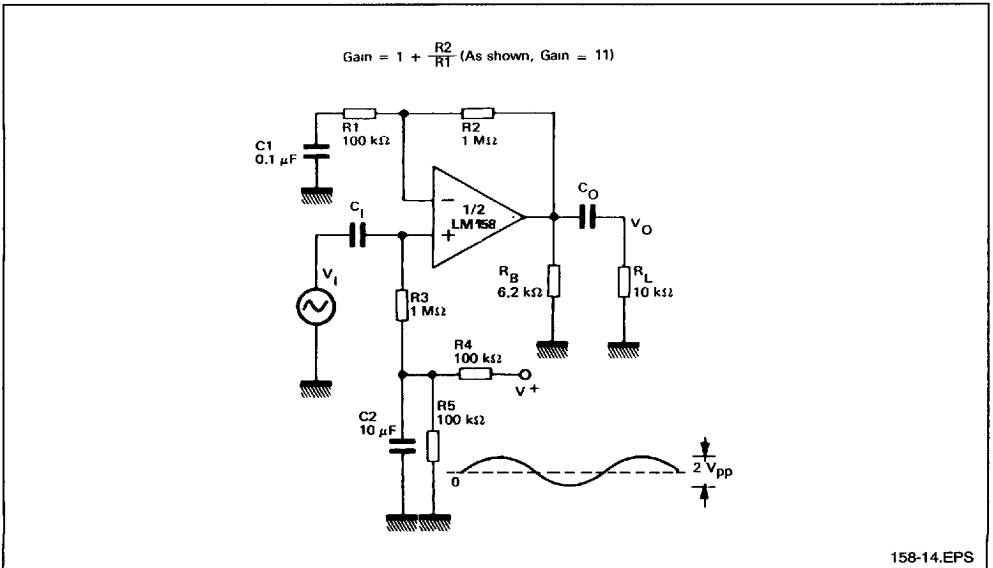
7929237 0052910 T2T

TYPICAL APPLICATIONS (single supply voltage) $V_{CC} = +5V_{DC}$

AC COUPLED INVERTING AMPLIFIER

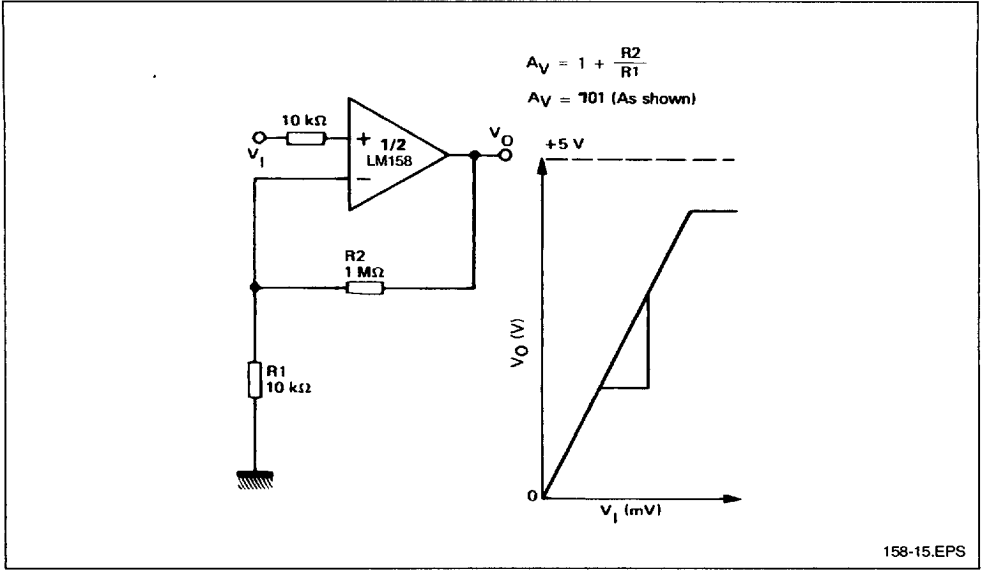


AC COUPLED NON INVERTING AMPLIFIER

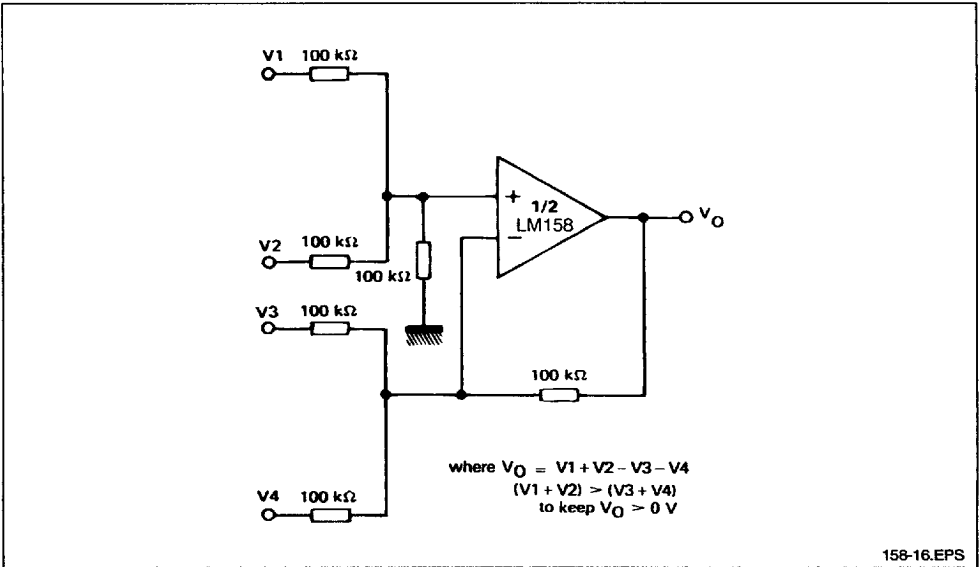


TYPICAL APPLICATIONS (single supply voltage) $V_{CC} = +5V_{DC}$ (continued)

NON INVERTING DC AMPLIFIER



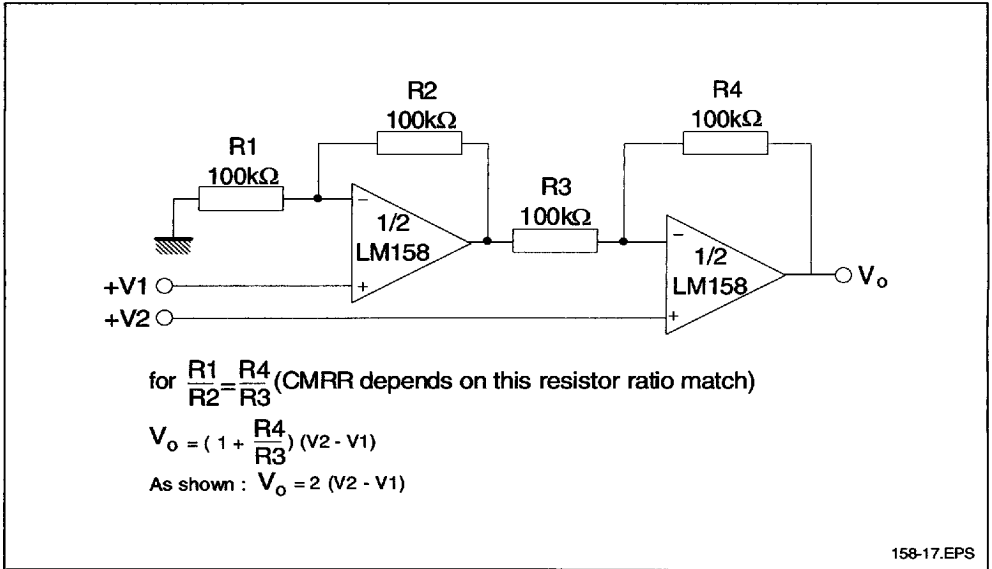
DC SUMMING AMPLIFIER



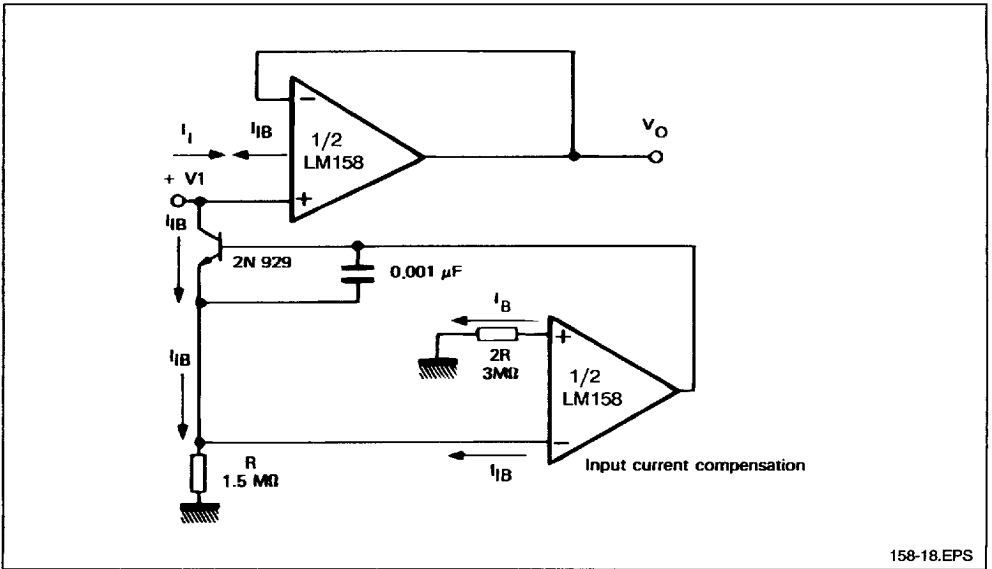
7929237 0052912 8T2

TYPICAL APPLICATIONS (single supply voltage) $V_{CC} = +5V_{DC}$ (continued)

HIGH INPUT IMPEDANCE, DC DIFFERENTIAL AMPLIFIER

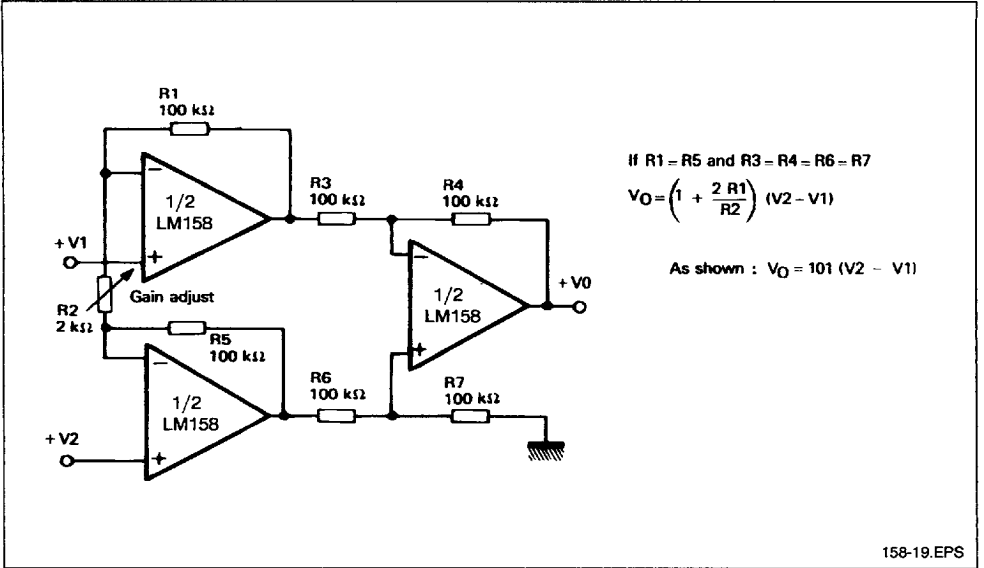


USING SYMMETRICAL AMPLIFIERS TO REDUCE INPUT CURRENT (general concept)

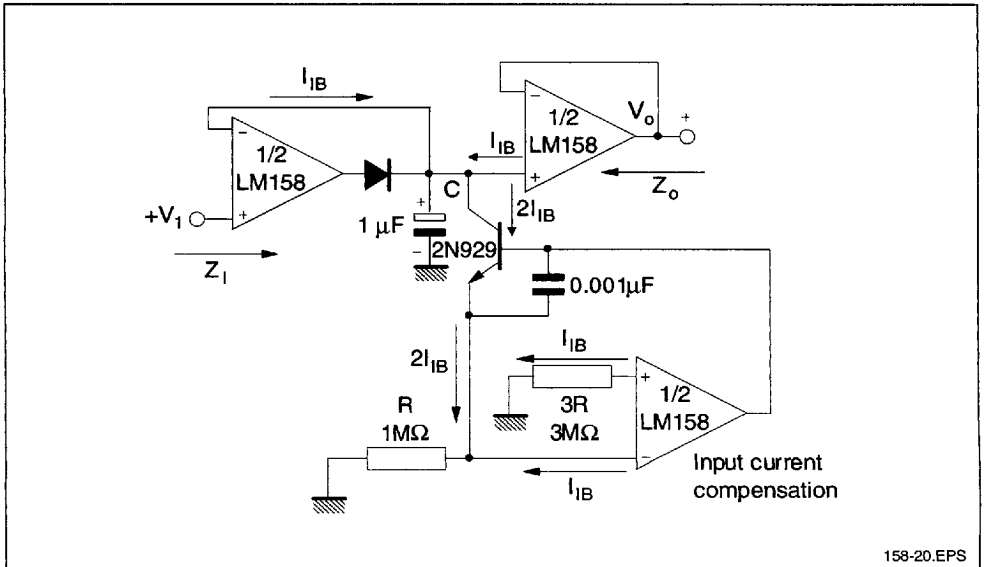


TYPICAL APPLICATIONS (single supply voltage) $V_{CC} = +5V_{DC}$ (continued)

HIGH INPUT Z ADJUSTABLE-GAIN DC INSTRUMENTATION AMPLIFIER



LOW DRIFT PEAK DETECTOR



7929237 0052914 675

TYPICAL APPLICATIONS (single supply voltage) $V_{CC} = +5V_{DC}$ (continued)

ACTIVE BAND-PASS FILTER

