

LM555C (NE555) (KA555/I)

SINGLE TIMER

SINGLE TIMER

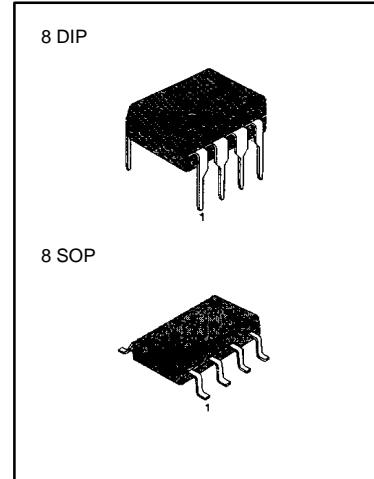
The LM555/I is a highly stable controller capable of producing accurate timing pulses. With monostable operation, the time delay is controlled by one external and one capacitor. With astable operation, the frequency and duty cycle are accurately controlled with two external resistors and one capacitor.

FEATURES

- High Current Drive Capability (= 200mA)
- Adjustable Duty Cycle
- Temperature Stability of 0.005%/°C
- Timing From μ Sec To Hours
- Turn Off Time Less Than 2 μ Sec

APPLICATIONS

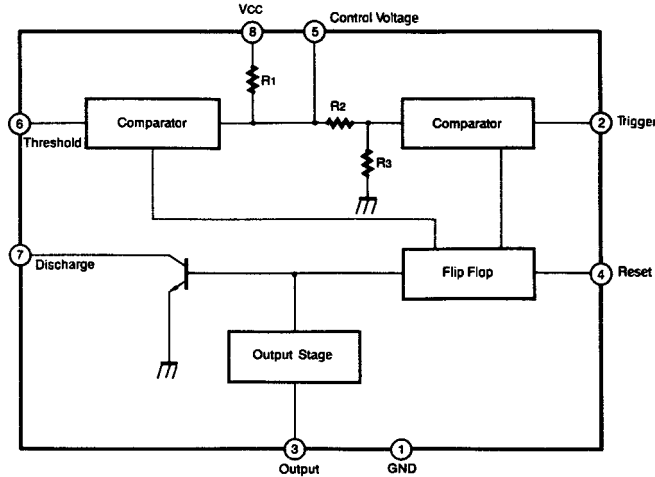
- Precision Timing
- Pulse Generation
- Time Delay Generation
- Sequential Timing



ORDERING INFORMATION

Device	Package	Operating Temperature
LM555CN (NE555N) (KA555)	8 DIP	0 ~ +70°C
LM555CM (KA555D)	8 SOP	
KA555I	8 DIP	-40 ~ +85°C
KA555ID	8 SOP	

BLOCK DIAGRAM



ABSOLUTE MAXIMUM RATINGS ($T_A = 25^\circ\text{C}$)

Characteristic	Symbol	Value	Unit
Supply Voltage	V_{CC}	16	V
Lead Temperature (soldering 10sec)	T_{LEAD}	300	$^\circ\text{C}$
Power Dissipation	P_D	600	mW
Operating Temperature Range LM555C LM555CI	T_{OPR}	0 ~ + 70	$^\circ\text{C}$
		- 40 ~ + 85	$^\circ\text{C}$
Storage Temperature Range	T_{STG}	- 65 ~ + 150	$^\circ\text{C}$

ELECTRICAL CHARACTERISTICS

($T_A = 25^\circ\text{C}$, $V_{CC} = 5 \sim 15\text{V}$, unless otherwise specified)

Characteristic	Symbol	Test Conditions	Min	Typ	Max	Unit
Supply Voltage	V_{CC}		4.5		16	V
Supply Current * ¹ (low stable)	I_{CC}	$V_{CC} = 5\text{V}$, $R_L = \infty$		3	6	mA
		$V_{CC} = 15\text{V}$, $R_L = \infty$		7.5	15	mA
*Timing Error (Monostable) ² Initial Accuracy Drift with Temperature Drift with Supply Voltage	ACCUR $\Delta t/\Delta T$ $\Delta t/\Delta V_{CC}$	$R_A = 1\text{K}\Omega$ to 100K Ω $C = 0.1\mu\text{F}$		1.0 50 0.1	3.0 ppm/ $^\circ\text{C}$ 0.5	% $\%/\text{V}$
*Timing Error (astable) ² Initial Accuracy Drift with Temperature Drift with Supply Voltage	ACCUR $\Delta t/\Delta T$ $\Delta t/\Delta V_{CC}$	$R_A = 1\text{K}\Omega$ to 100K Ω $C = 0.1\mu\text{F}$		2.25 150 0.3		% ppm/ $^\circ\text{C}$ $\%/\text{V}$
Control Voltage	V_C	$V_{CC} = 15\text{V}$	9.0	10.0	11.0	V
		$V_{CC} = 5\text{V}$	2.6	3.33	4.0	V
Threshold Voltage	V_{TH}	$V_{CC} = 15\text{V}$		10.0		V
		$V_{CC} = 5\text{V}$		3.33		V
* ³ Threshold Current	I_{TH}			0.1	0.25	μA
Trigger Voltage	V_{TR}	$V_{CC} = 5\text{V}$	1.1	1.67	2.2	V
Trigger Voltage	V_{TR}	$V_{CC} = 15\text{V}$	4.5	5	5.6	V
Trigger Current	I_{TR}	$V_{TR} = 0\text{V}$		0.01	2.0	μA
Reset Voltage	V_{RST}		0.4	0.7	1.0	V
Reset Current	I_{RST}			0.1	0.4	mA

ELECTRICAL CHARACTERISTICS

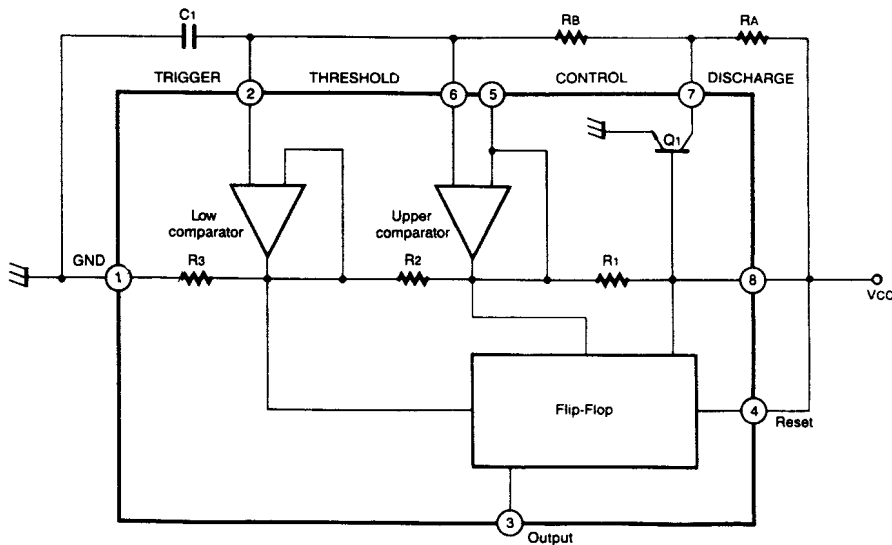
($T_A = 25^\circ\text{C}$, $V_{CC} = 5 \sim 15\text{V}$, unless otherwise specified)

Characteristic	Symbol	Test Conditions	Min	Typ	Max	Unit
Low Output Voltage	V_{OL}	$V_{CC} = 15\text{V}$ $I_{SINK} = 10\text{mA}$ $I_{SINK} = 50\text{mA}$		0.06 0.3	0.25 0.75	V V
		$V_{CC} = 5\text{V}$ $I_{SINK} = 5\text{mA}$		0.05	0.35	V
High Output Voltage	V_{OH}	$V_{CC} = 15\text{V}$ $I_{SOURCE} = 200\text{mA}$ $I_{SOURCE} = 100\text{mA}$	12.75	12.5 13.3		V V
		$V_{CC} = 5\text{V}$ $I_{SOURCE} = 100\text{mA}$	2.75	3.3		V
Rise Time of Output	t_R			100		ns
Fall Time of Output	t_F			100		ns
Discharge Leakage Current	I_{LKG}			20	100	nA

Notes:

1. Supply current when output is high is typically 1mA less at $V_{CC} = 5\text{V}$
2. Tested at $V_{CC} = 5.0\text{V}$ and $V_{CC} = 15\text{V}$
3. This will determine maximum value of $R_A + R_B$ for 15V operation, the max. total $R = 20\text{M}\Omega$, and for 5V operation the max. total $R = 6.7\text{M}\Omega$

APPLICATION CIRCUIT



APPLICATION NOTE

The application circuit shows astable mode.

Pin 6 (threshold) is tied to Pin 2 (trigger) and Pin 4 (reset) is tied to V_{CC} (Pin 8).

The external capacitor C_1 of Pin 6 and Pin 2 charges through R_A , R_B and discharges through R_B only.

In the internal circuit of the LM555 one input of the upper comparator is the $2/3 V_{CC}$ ($R_1 = R_2 = R_3$, another input if it is connected Pin 6).

As soon as charging C_1 is higher than $2/3 V_{CC}$, discharge transistor Q_1 turns on and C_1 discharges to collector of transistor Q_1 .

Therefore, the flip-flop circuit is reset and output is low.

One input of lower comparator is the $1/3 V_{CC}$, discharge transistor Q_1 turn off and C_1 charges through R_A and R_B .

Therefore, the flip-flop circuit is set and output is high.

So to say, when C_1 charges through R_A and R_B output is high and when C_1 discharges through R_B output is low.

The charge time (output is high) T_1 is $0.693 (R_A + R_B) C_1$ and the discharge time (output is low) T_2 is $0.693 (R_B C_1)$.

$$\left(\ln \frac{V_{CC} - 1/3 V_{CC}}{V_{CC} - 2/3 V_{CC}} \right) (0.693)$$

Thus the total period time T is given by

$$T = T_1 + T_2 = 0.693 (R_A + 2R_B) C_1$$

Then the frequency of astable mode is given by

$$f = \frac{1}{T} = \frac{1.44}{(R_A + 2R_B) C_1}$$

The duty cycle is given by

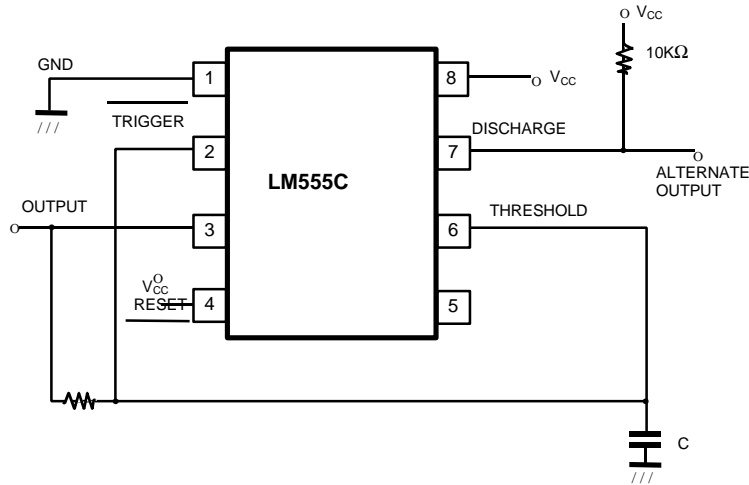
$$D.C = \frac{T_1}{T} = \frac{R_B}{R_A + 2R_B}$$

If you make use of the LM555 you can make two astable modes.

Astable Operation

The LM555 can free run as a multivibrator by triggering itself; refer to Fig.2. The output can swing from V_{DD} to GND and have 50% duty cycle square wave. Less than 1% frequency deviation can be observed, over a voltage range of 2 to 5V. $f = 1/1.4RC$

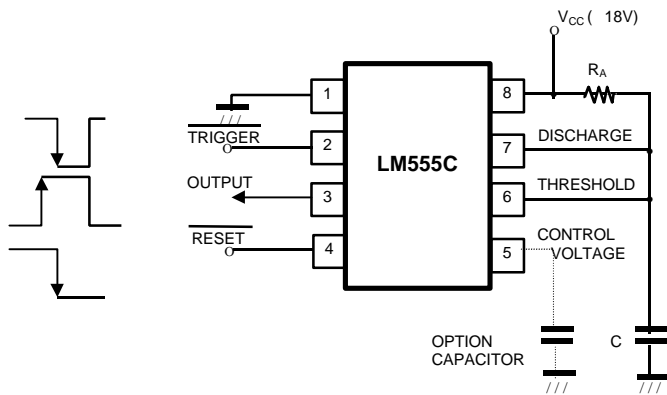
Fig. 1. Astable Operation



Monostable Operation

The LM555 can be used as a one-shot, i.e. monostable multivibrator. Initially, because the inside discharge transistor is on state, external timing capacitor is held to GND potential. Upon application of a negative TRIGGER pulse pin 2, the internal discharge transistor is off state and the voltage across the capacitor increases with time constant $T = R_A C$ and OUTPUT goes to high state. When the voltage across the capacitor equals $2/3V_{CC}$ the inner comparator is reset by THRESHOLD input and the discharge transistor goes to on state, which in turn discharges the capacitor rapidly and drives the OUTPUT to its low state.

Fig. 2. Monostable Operation



TRADEMARKS

The following are registered and unregistered trademarks Fairchild Semiconductor owns or is authorized to use and is not intended to be an exhaustive list of all such trademarks.

ACE _x TM	ISOPLANAR TM	TinyLogic TM
CoolFET TM	MICROWIRE TM	UHC TM
CROSSVOLT TM	POP TM	VCX TM
E ² CMOS TM	PowerTrench [®]	
FACT TM	QFET TM	
FACT Quiet Series TM	QS TM	
FAST [®]	Quiet Series TM	
FAST _r TM	SuperSOT TM -3	
GTO TM	SuperSOT TM -6	
HiSeC TM	SuperSOT TM -8	

DISCLAIMER

FAIRCHILD SEMICONDUCTOR RESERVES THE RIGHT TO MAKE CHANGES WITHOUT FURTHER NOTICE TO ANY PRODUCTS HEREIN TO IMPROVE RELIABILITY, FUNCTION OR DESIGN. FAIRCHILD DOES NOT ASSUME ANY LIABILITY ARISING OUT OF THE APPLICATION OR USE OF ANY PRODUCT OR CIRCUIT DESCRIBED HEREIN; NEITHER DOES IT CONVEY ANY LICENSE UNDER ITS PATENT RIGHTS, NOR THE RIGHTS OF OTHERS.

LIFE SUPPORT POLICY

FAIRCHILD'S PRODUCTS ARE NOT AUTHORIZED FOR USE AS CRITICAL COMPONENTS IN LIFE SUPPORT DEVICES OR SYSTEMS WITHOUT THE EXPRESS WRITTEN APPROVAL OF FAIRCHILD SEMICONDUCTOR CORPORATION.
As used herein:

1. Life support devices or systems are devices or systems which, (a) are intended for surgical implant into the body, or (b) support or sustain life, or (c) whose failure to perform when properly used in accordance with instructions for use provided in the labeling, can be reasonably expected to result in significant injury to the user.
2. A critical component is any component of a life support device or system whose failure to perform can be reasonably expected to cause the failure of the life support device or system, or to affect its safety or effectiveness.

PRODUCT STATUS DEFINITIONS

Definition of Terms

Datasheet Identification	Product Status	Definition
Advance Information	Formative or In Design	This datasheet contains the design specifications for product development. Specifications may change in any manner without notice.
Preliminary	First Production	This datasheet contains preliminary data, and supplementary data will be published at a later date. Fairchild Semiconductor reserves the right to make changes at any time without notice in order to improve design.
No Identification Needed	Full Production	This datasheet contains final specifications. Fairchild Semiconductor reserves the right to make changes at any time without notice in order to improve design.
Obsolete	Not In Production	This datasheet contains specifications on a product that has been discontinued by Fairchild semiconductor. The datasheet is printed for reference information only.