

SHINDENGEN

General Purpose Rectifiers

Low Noise Bridges

LN1VB60

600V 1.2A

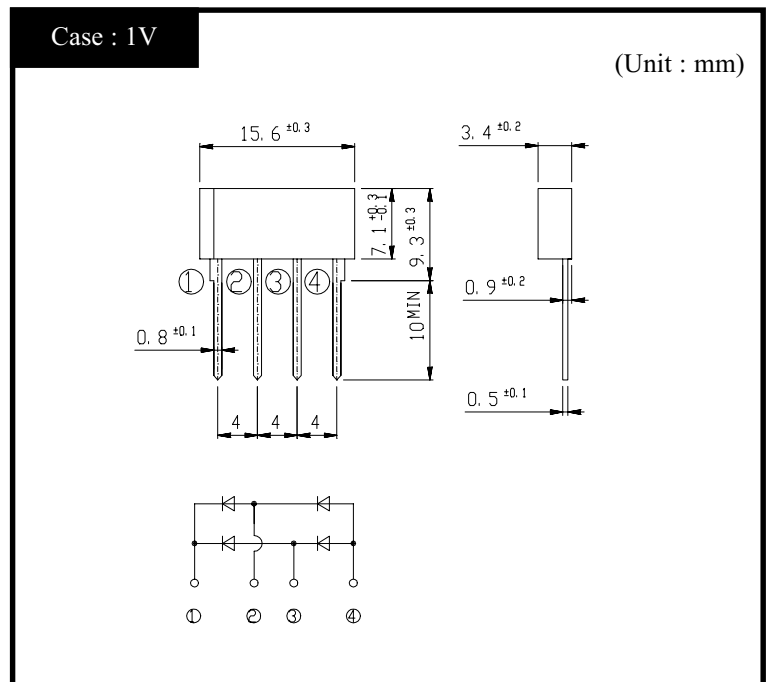
FEATURES

- Low noise
- Small Single In-Line (:SIL) Package
- Applicable to Automatic Insertion

APPLICATION

- Adapter
- Switching power supply
- Home Appliances, Office Equipment, Telecommunication

OUTLINE DIMENSIONS



RATINGS

● Absolute Maximum Ratings (If not specified Tl=25°C)

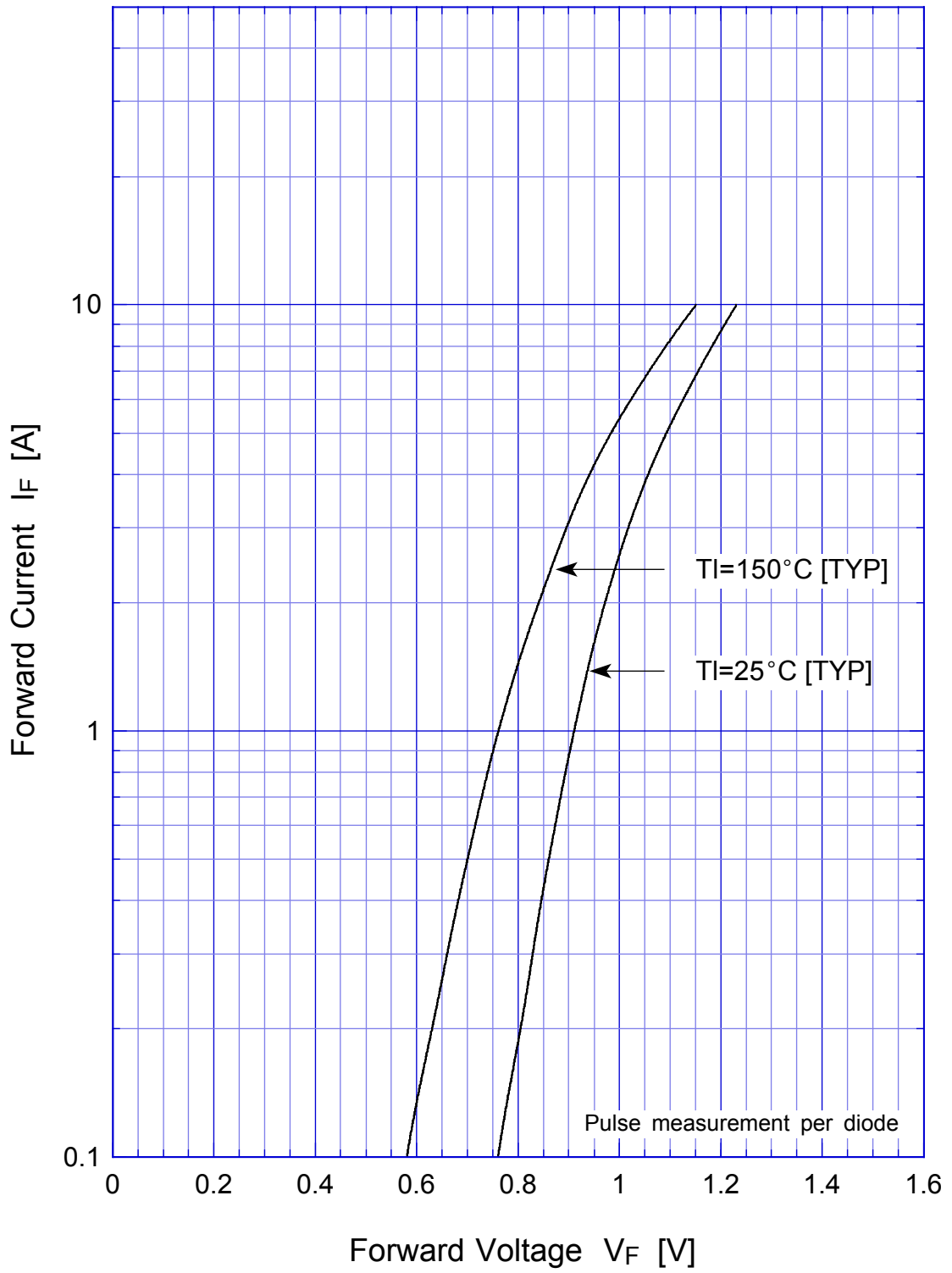
Item	Symbol	Conditions	Ratings	Unit
Storage Temperature	T _{stg}		-40~150	°C
Operating Junction Temperature	T _j		150	°C
Maximum Reverse Voltage	V _{RM}		600	V
Average Rectified Forward Current	I _O	50Hz sine wave, R-load, T _a =25°C	1.2	A
Peak Surge Forward Current	I _{FSM}	50Hz sine wave, Non-repetitive 1cycle peak value, T _j =25°C	50	A
Current Squared Time	I ² t	1ms ≤ t < 10ms T _j =25°C	6	A ² s

● Electrical Characteristics (If not specified Tl=25°C)

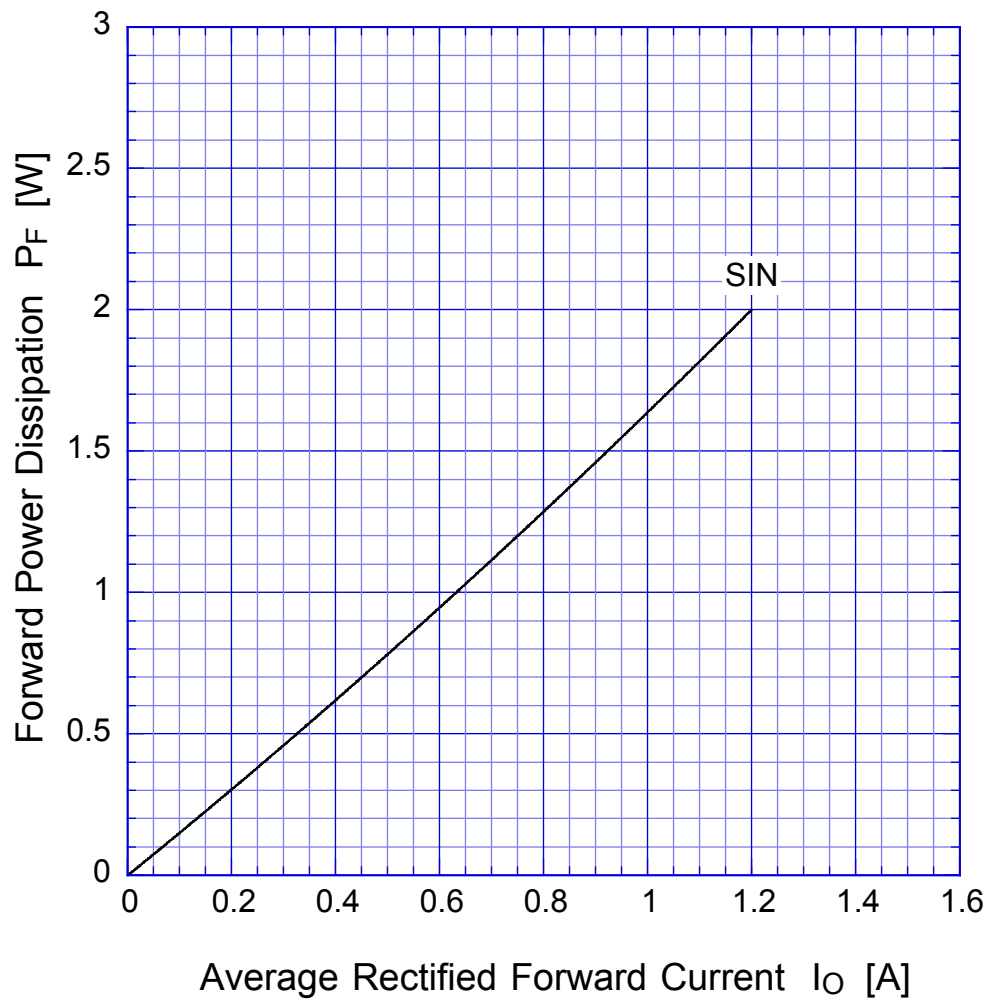
Item	Symbol	Conditions	Ratings	Unit
Forward Voltage	V _F	I _F =0.6A, Pulse measurement, Rating of per diode	Max. 1.0	V
Reverse Current	I _R	V _R =V _{RM} , Pulse measurement, Rating of per diode	Max. 10	μA
Reverse Recovery Time	t _{rr}	I _F =0.1A, I _R =0.1A, Rating of per diode	Max. 5	μs
Thermal Resistance	θ _{jl}	junction to lead	Max. 16	°C/W
	θ _{ja}	junction to ambient	Max. 62	

LN1VB60

Forward Voltage



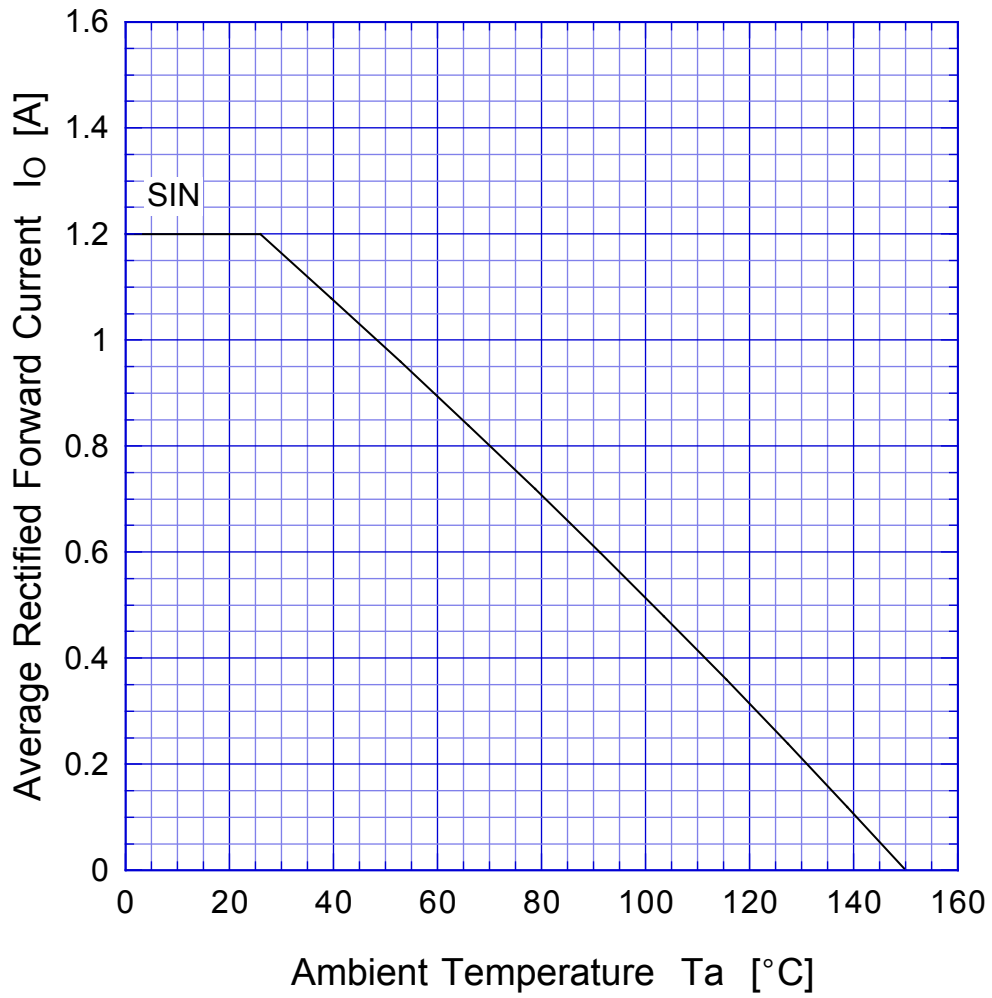
LN1VB60 Forward Power Dissipation



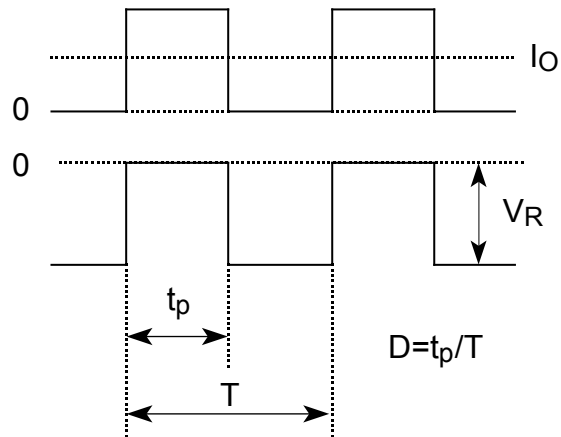
$T_j = 150^\circ\text{C}$
Sine wave

LN1VB60

Derating Curve



$V_R = 600V$



LN1VB60

Peak Surge Forward Capability

