

# SHINDENGEN

## General Purpose Rectifiers

## Low Noise Bridges

# LN4SB60

## 600V 4A

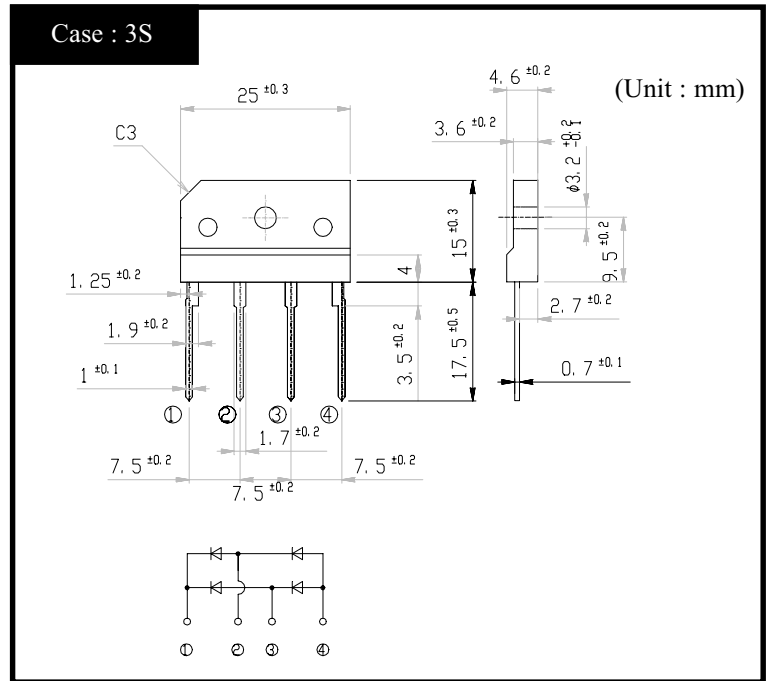
### FEATURES

- Low noise
- SIL Package
- High IFSM

### APPLICATION

- Switching power supply
- Home (Electrical) Appliances
- Office Equipment, Telecommunication, Factory Automation

### OUTLINE DIMENSIONS



### RATINGS

#### ● Absolute Maximum Ratings (If not specified Tc=25°C)

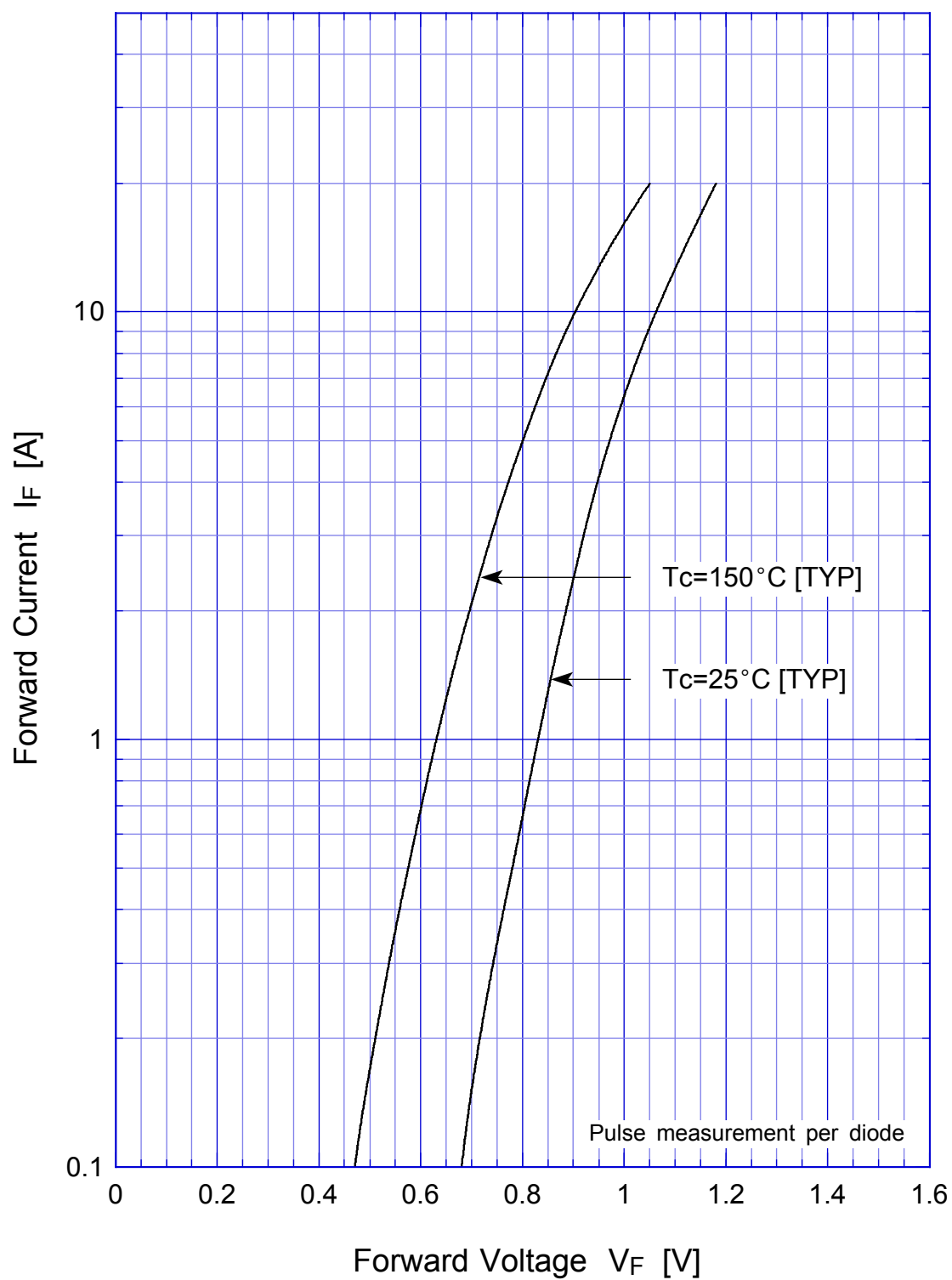
Item	Symbol	Conditions	Ratings	Unit
Storage Temperature	Tstg		-40~150	°C
Operating Junction Temperature	Tj		150	°C
Maximum Reverse Voltage	V <sub>RM</sub>		600	V
Average Rectified Forward Current	I <sub>O</sub>	50Hz sine wave, R-load With heatsink Tc=111°C	4.0	A
		50Hz sine wave, R-load Without heatsink Ta=25°C	2.5	
Peak Surge Forward Current	I <sub>FSM</sub>	50Hz sine wave, Non-repetitive 1cycle peak value, Tj=25°C	150	A
Current Squared Time	I <sup>2</sup> t	1ms ≤ t < 10ms Tj=25°C	50	A <sup>2</sup> s
Dielectric Strength	V <sub>dis</sub>	Terminals to case, AC 1 minute	2	kV
Mounting Torque	TOR	(Recommended torque:0.5N·m)	0.8	N·m

#### ● Electrical Characteristics (If not specified Tc=25°C)

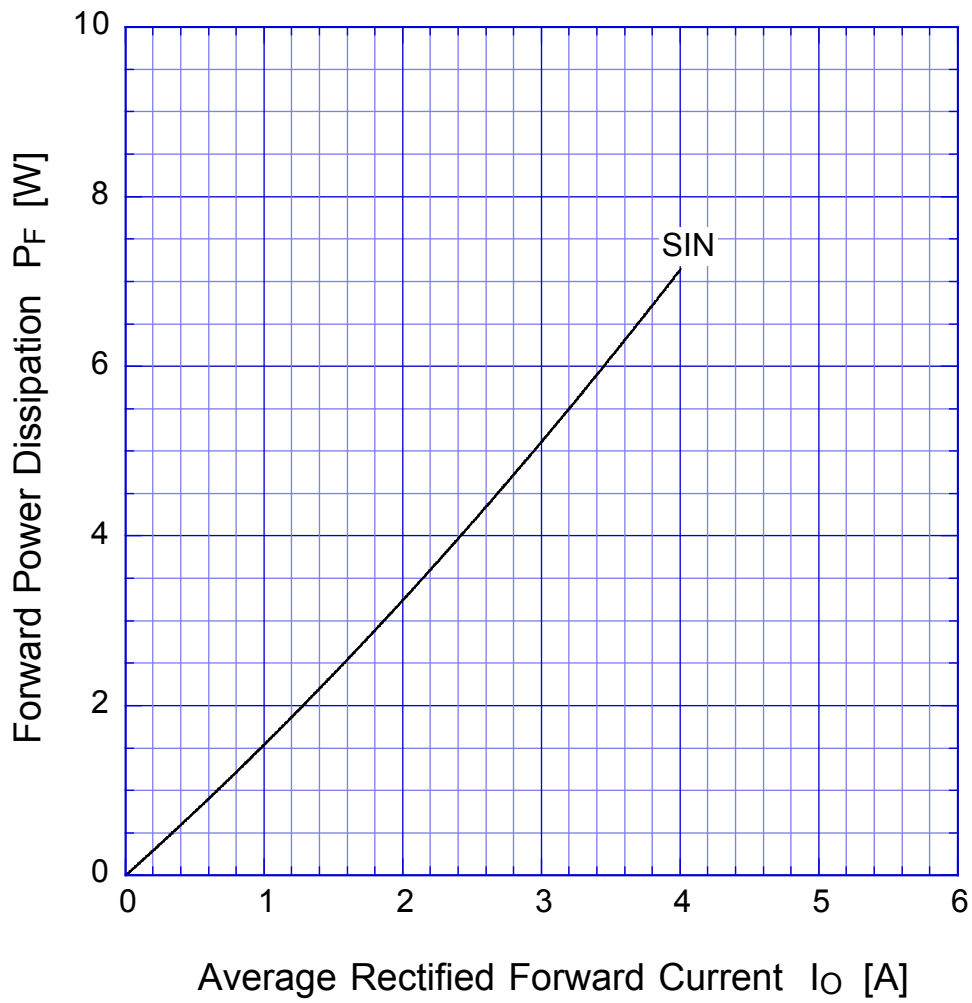
Item	Symbol	Conditions	Ratings	Unit
Forward Voltage	V <sub>F</sub>	I <sub>F</sub> =2A, Pulse measurement, Rating of per diode	Max. 0.95	V
Reverse Current	I <sub>R</sub>	V <sub>R</sub> =V <sub>RM</sub> , Pulse measurement, Rating of per diode	Max. 10	μA
Reverse Recovery Time	trr	I <sub>F</sub> =0.1A, I <sub>R</sub> =0.1A, Rating of per diode	Max. 5	μs
Thermal Resistance	θ <sub>jc</sub>	junction to case With heatsink	Max. 5.5	°C/W
	θ <sub>jl</sub>	junction to lead Without heatsink	Max. 6	
	θ <sub>ja</sub>	junction to ambient Without heatsink	Max. 30	

# LN4SB60

## Forward Voltage



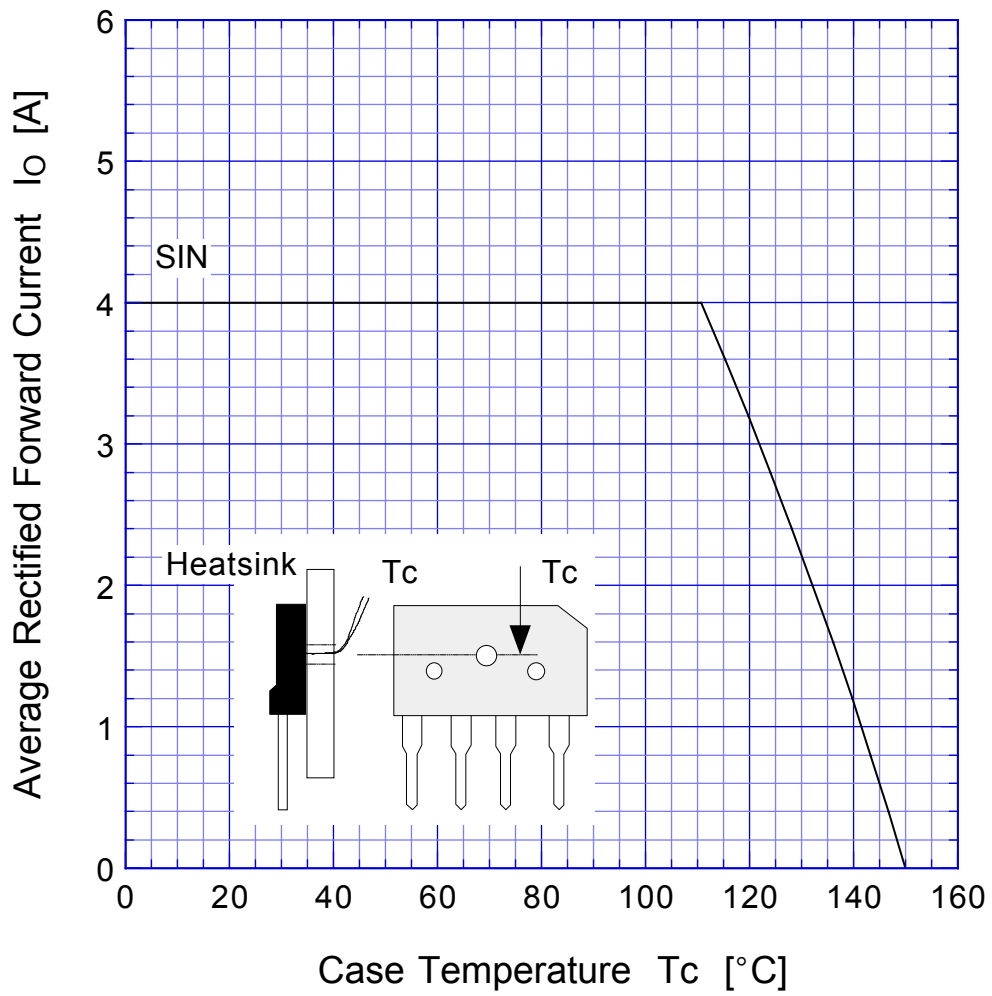
## LN4SB60 Forward Power Dissipation



$T_j = 150^\circ\text{C}$   
Sine wave

# LN4SB60

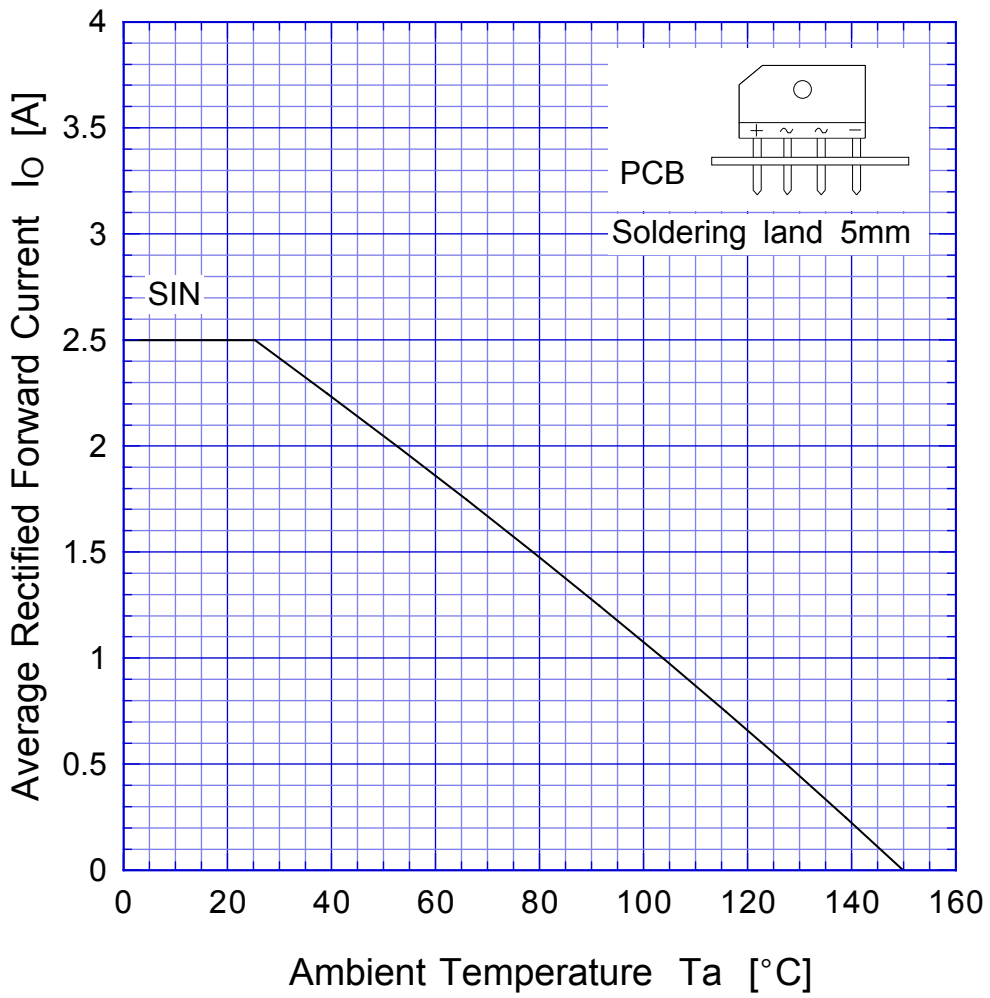
# Derating Curve



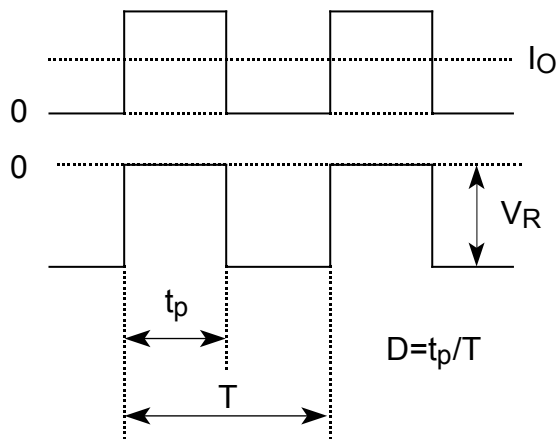
Sine wave  
R-load  
with heatsink

# LN4SB60

# Derating Curve



$V_R = 600V$   
Sine wave  
R-load  
Free in air



# LN4SB60

## Peak Surge Forward Capability

