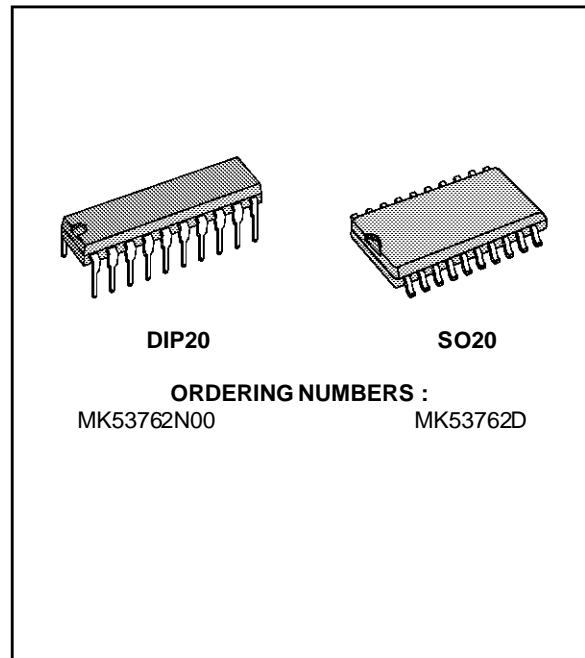


REPERTORY DIALER

- SINGLE CHIP DTMF AND PULSE DIALER
- STORES 10 18-DIGIT TELEPHONE NUMBERS, INCLUDING LAST NUMBER DIALED
- SOFTSWITCH CHANGES SIGNALING MODE FROM PULSE TO TONE
- SINGLEBUTTON REDIAL OF ALL TEN MEMORIES
- FLASH KEY INPUT INITIATES TIMED HOOK FLASH
- 8 TONES PER SECOND DIALING IN TONE MODE AND 10 PPS IN PULSE MODE
- DTMF ACTIVE UNTIL KEY RELEASE
- MINIMUM DTMF DURATION/SEPARATION GUARANTEED (74/54 ms)
- PACIFIER TONE PROVIDES AUDIBLE INDICATION OF A VALID KEY INPUT FOR NON-DTMF KEY ENTRIES
- POWERED FROM TELEPHONE LINE, LOW OPERATING VOLTAGE FOR LONG LOOP APPLICATIONS



DESCRIPTION

The MK53762 is a Silicon Gate CMOS IC that provides necessary signals for either DTMF or loop disconnect (pulse) dialing. The MK53762 buffers up to 18 digits into memory that can be later redialed with a single key input. Up to nine repertory numbers may be stored. Users can store all 12 signaling keys and access several unique functions with single key entries. These functions include : Last Number Dialed (LND), Softswitch, Flash, and 9 memories. Figure 2 shows the keypad configuration.

A LND key input automatically redials the last number dialed, and the MEM keys provide single key access to all memory locations for auto-dialing.

The FLASH key simulates a 560 ms hook flash to transfer calls or to activate other special features provided by the PABX or a central office.

The PAUSE key allows the user to insert a delay in dialing for functions such as the pause in accessing an outside line when redialing from a PABX.

The PROG key provides an easy way to program a number into any memory location (MEM 1 - MEM 9) whether on-hook or off-hook.

Figure 1 : Pin Connection.

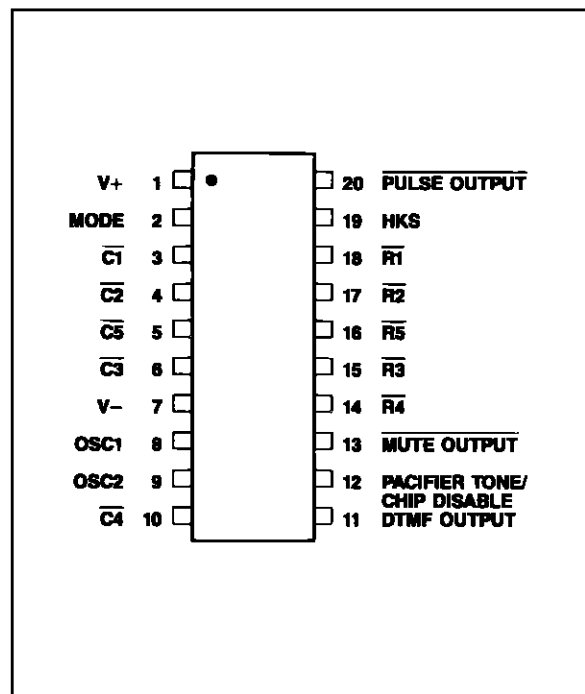


Figure 2 : Keypad Configuration.

1	2	3	FLASH	MEM9
4	5	6	PROG	MEM8
7	8	9	PAUSE	MEM7
* SOFT SWITCH	0	#	LND	MEM6
MEM1	MEM2	MEM3	MEM4	MEM5

FUNCTIONAL PIN DESCRIPTION

V+

Pin 1. V+ is the positive supply for the circuit and must meet the maximum and minimum voltage requirements. (see Electrical Specifications).

MODE

Input. Pin 2. MODE determines the dialer's default operating mode. When the device is powered up or the hookswitch input is switched from on-hook, (V+), to off-hook, (V-), the default determines the signaling mode. A V+ connection defaults to tone mode operation and a V- connection defaults to pulse mode operation.

When dialing in the pulse mode, a softswitch feature will allow a change to the tone mode whenever the * key, or softswitch, is depressed. Subsequent * key inputs will cause the DTMF code for an * to be dialed. The softswitch will only switch from pulse to tone. After returning to on-hook and back to off-hook, the part will be in pulse mode. Redial by the LND key will repeat the softswitch.

C1, C2, C3, C4, C5, R5, R4, R3, R2, R1

Keyboard inputs. The MK53762 interfaces with either the standard 2-of-10 with negative common or the single-contact (Form A) keyboard.

A valid keypad entry is either a single Row connected to a single Column or V- simultaneously presented to both a single Row and Column. In its quiescent or standby state, during normal off-hook operation, either the Rows or the Columns are at a logic level 1 (V+). Pulling one input low enables the on-chip oscillator. Keyboard scanning then begins. Scanning consists of Rows and Columns alternately switching high through on-chip pullups. After both a Row and Column key have been detected, the debounce counter is enabled and any noise (bouncing contacts, etc.) is ignored for a debounce period (TKD) of 32 ms. At this time, the keyboard is sampled and if both Row and Column information are valid, the information is buffered into the LND location. If switched on-hook (pin 19 to pin 1), the keyboard inputs all pull high through on-chip pullup resistors.

In the tone mode, if 2 or more keys in the same row or column are depressed a single tone will be output. The tone will correspond to the row or column for which the 2 keys were pushed. This feature is for test purposes.

Single tones will not be redialed.

Also in the tone mode, the output tone is continuous in manual dialing as long as the key is pushed. The output tone duration follows the table below :

Table 1 : Output Tone Duration

Key-Push Time, T*	Tone Output*
T ≤ 32ms	No Output Ignored by MK53761
32ms ≤ T ≤ 75ms + TKD	75ms Duration Output
T ≥ 75ms + TKD	Output Duration = T - TKD

* TKD is the key pad debounce time which is typically 32ms.

When redialing in the tone mode, each DTMF output is 75ms duration, and the tone separation (intersignal delay) is 50ms.

V-

Input. Pin 7 is the negative supply input to the device. This is the voltage reference for all specifications.

OSC1, OSC2

Pin 8 (input), pin 9 (output). OSC1 and OSC2 are connections to an on-chip inverter used as the timing reference for the circuit. It has sufficient loop gain to oscillate when used with a low-cost television color-burst crystal. The nominal crystal frequency is 3.579545 MHz and any deviation from this standard is directly reflected in the Tone output frequencies. The crystal oscillator provides the time reference for all circuit functions. A ceramic resonator with tolerance of ± 0.25 % may also be used.

DTMF OUTPUT

Output. Pin 11. An NPN transistor emitter with a collector tied to V+ drives the DTMF OUTPUT pin. The transistor base is connected to an on-chip operational amplifier that mixes the Row and Column tones. Figure 7 shows the timing at this pin.

The DTMF OUTPUT is the summation of a single Row frequency and a single Column frequency. A typical single tone sine wave is shown in Figure 4. This waveform is synthesized using a resistor tree with sinusoidally weighted taps.

The MK53762 is designed to operate from an unregulated supply ; the TONE LEVEL is supply independent, and the single row tone output level will be typically :

$$T_{oi} = - 12 \text{ dBm} \pm 1 \text{ dB}$$

The DC component of the DTMF output while active is described by the following equation :

$$VDC_1 = 0.3 V+ + 0.5 \text{ Volts}$$

Figure 3 : MK53762 Functional Block Diagram.

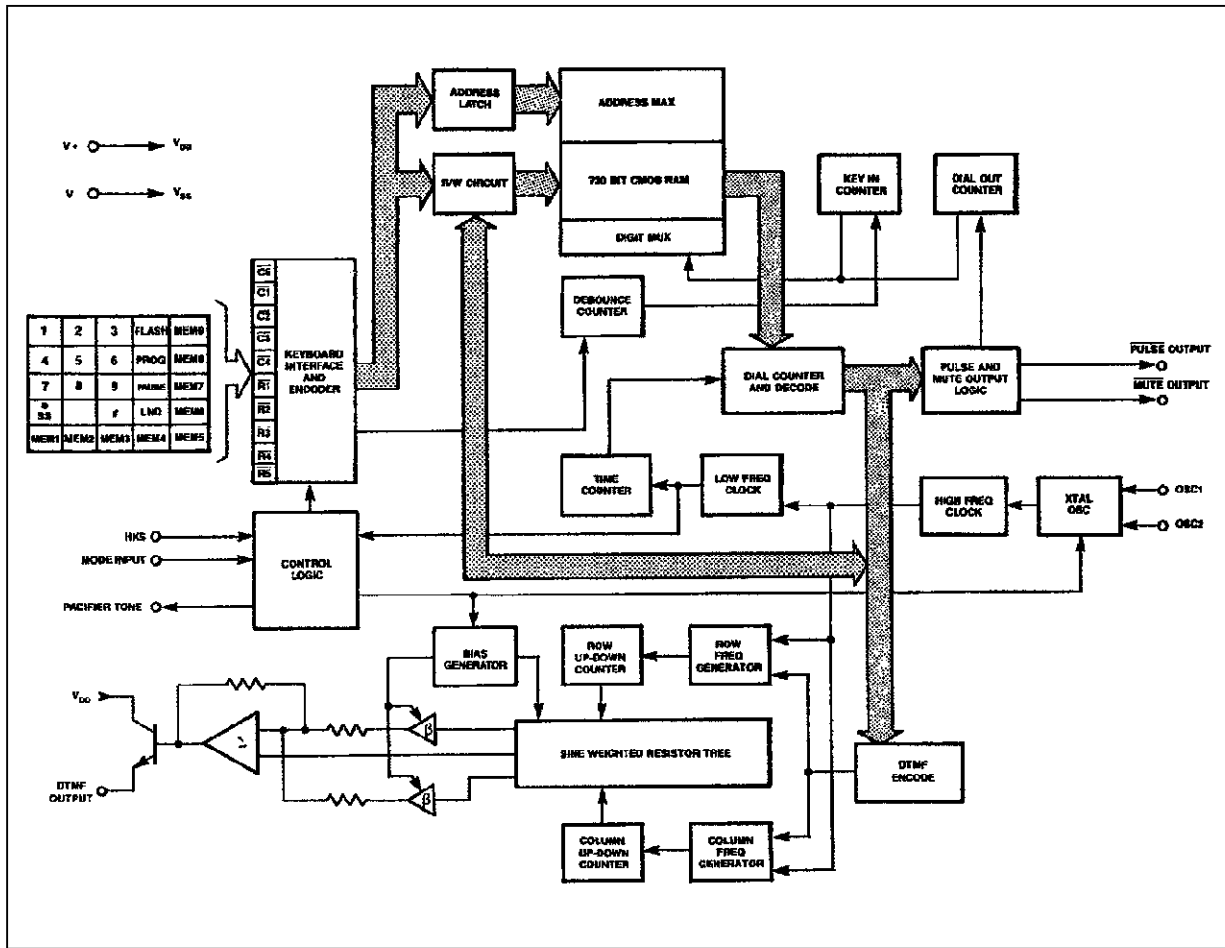


Figure 4 : Typical Single Tone.

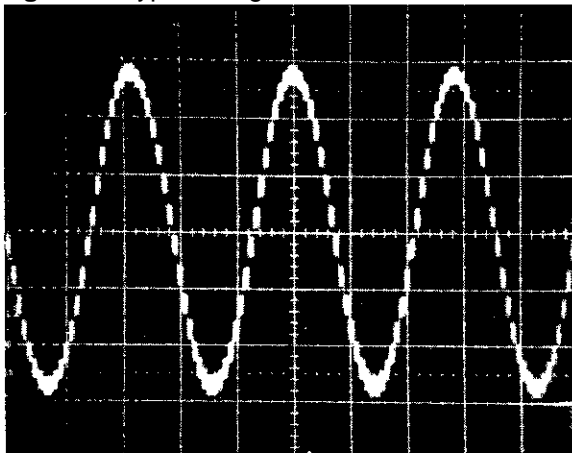
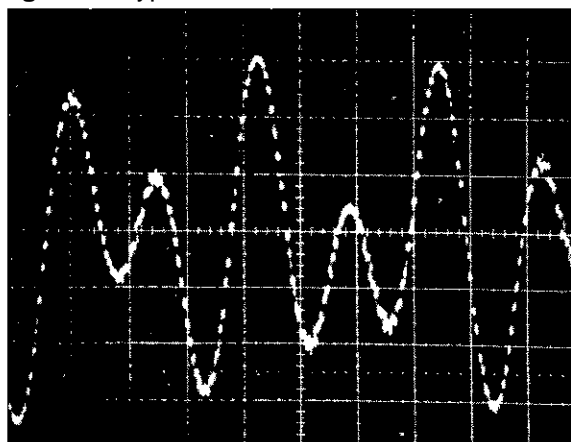


Figure 5 : Typical Dual Tone.



PACIFIER TONE OUTPUT/CHIP DISABLE INPUT

Pin 12. PAC tone is an output. The pacifier tone provides audible feedback, confirming that the key has been properly entered and accepted. A 500 Hz square wave is activated upon acceptance of a valid key input, after the 32 ms debounce time. The square wave terminates after a maximum of 30 ms or when the valid key is no longer present. In pulse mode, all key entries activate the pacifier tone. In tone mode, any non-DTMF key (LND, FLASH, MEM, PROG) entry activates the pacifier tone. When programming the chip, all valid key entries activate the pacifier tone in either pulse or tone mode. The CHIP DISABLE is an input. When pin 12 is switched low through a resistor (10 K to 100 K), the MK53762 is enabled. When pin 12 is switched to V+ through the resistor, all keypad inputs are pulled high, and the MK53762 will ignore all keypad inputs. When the chip is disabled, it will not dial, and it can-

not be programmed. The chip will only be disabled when the circuit is inactive (not dialing) and Pin 12 is switched high.

Figure 6 : Typical Spectral Response.

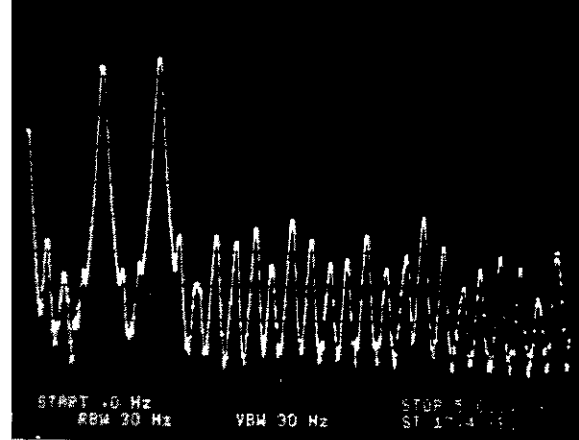
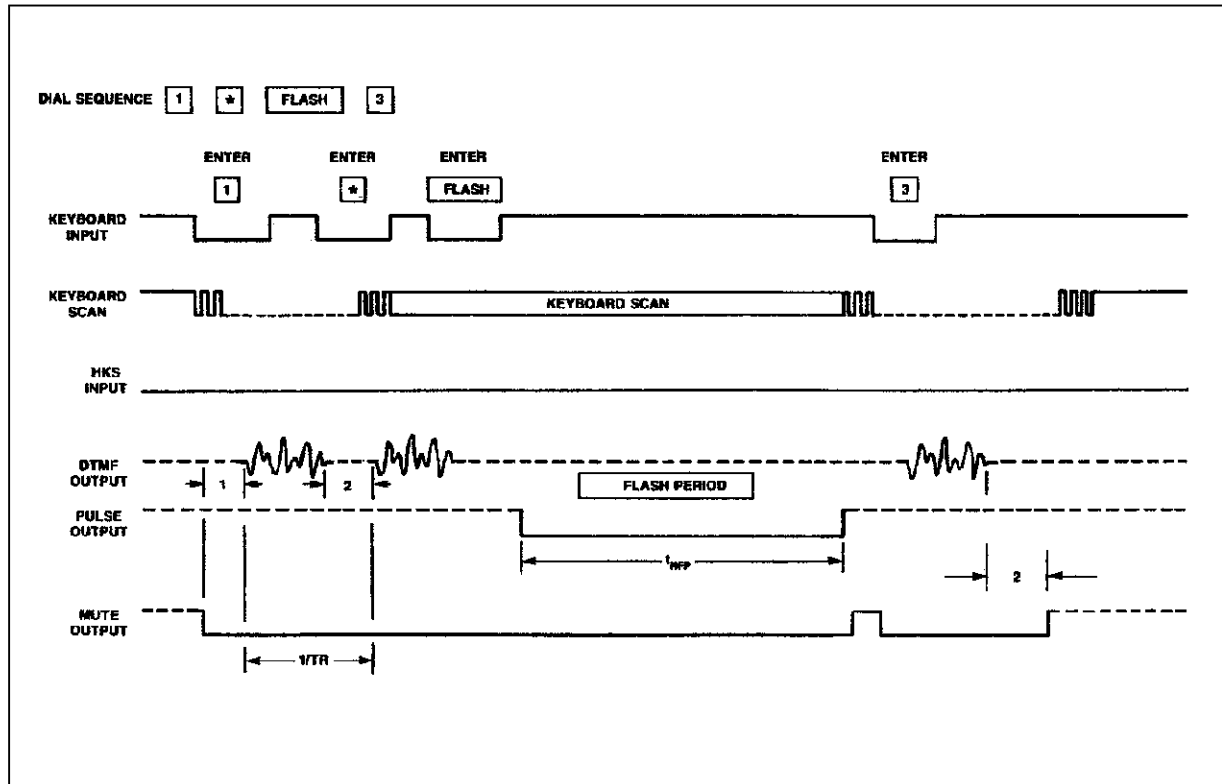


Figure 7 : Tone Mode Timing.



- Notes :
1. For this example, key entries are ≤ 75 ms, but ≥ 32 ms.
 2. MUTE goes active after any key is depressed.

Figure 8 : Pulse Mode Timing.

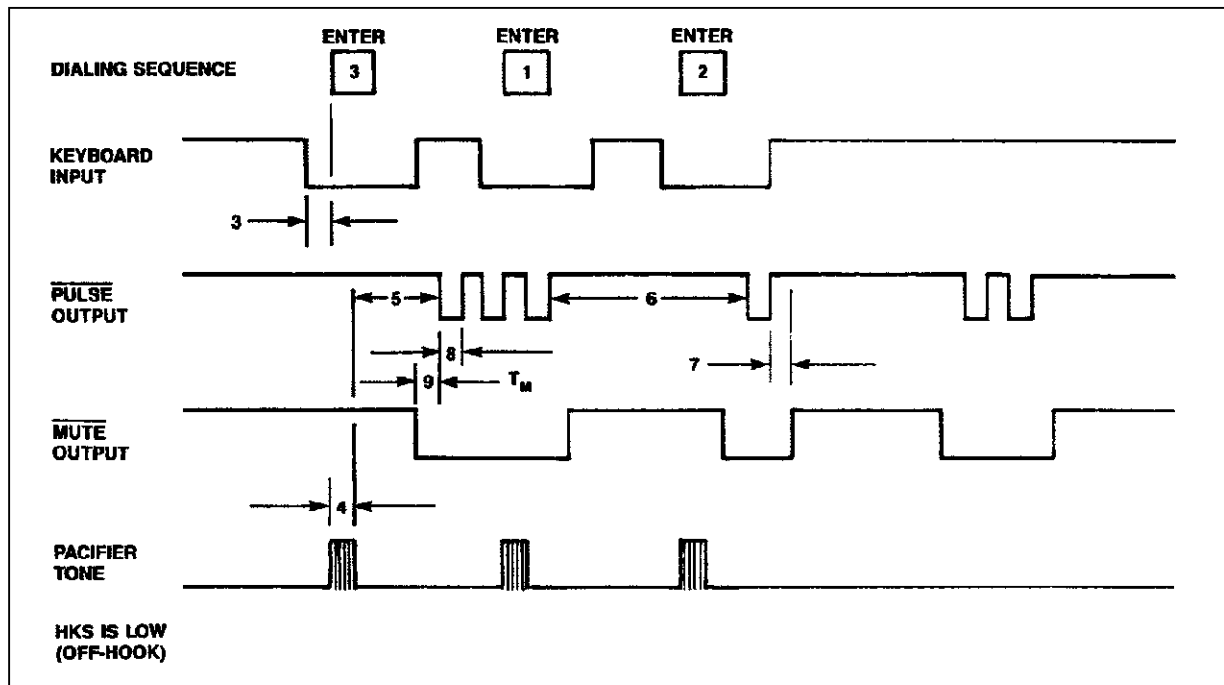


Table 2 : DTMF Output Frequency.

Key Input	Standard Frequency	Actual Frequency	% Deviation
ROW 1	697	699.1	+ 0.31
2	770	766.2	- 0.49
3	852	847.4	- 0.54
4	941	948.0	+ 0.74
COL 1	1209	1215.9	+ 0.57
2	1336	1331.7	- 0.32
3	1477	1471.9	- 0.35

MUTE OUTPUT

Output. Pin 13. This pin is the MUTE OUTPUT for both tone and pulse modes. Timing is dependent upon mode.

The MUTE OUTPUT consists of an open drain N-channel device. During standby, the output is high impedance and generally has an external pullup resistor to the positive supply.

In the tone mode, MUTE OUTPUT is used to remove the transmitter and the receiver from the network during DTMF signaling. During dialing, MUTE OUTPUT is active continuously until dialing is completed. MUTE OUTPUT goes active when any key is pushed.

In the pulse mode, MUTE OUTPUT is used to remove the receiver and the network from the line. Different circuitry is required for tone and pulse muting

external to the IC and applications using both modes would not necessarily share circuitry. MUTE OUTPUT timing is shown in Figure 8 for pulse mode signaling and Figure 7 for tone mode signaling. MUTE OUTPUT is active during each digit, and not active during the interdigit time. In both tone and pulse modes, MUTE OUTPUT goes active 40 ms before PULSE OUTPUT for a FLASH.

HKS

Input. Pin 19. Pin 19 is the hookswitch input to the MK53762. This is a high-impedance input and must be switched high for on-hook operation or low for off-hook operation. A transition on this input causes the on-chip logic to initialize, terminating any operation in progress at the time. The signaling mode defaults to the mode selected at pin 2. Figure 8 illustrates the timing for this pin.

PULSE OUTPUT

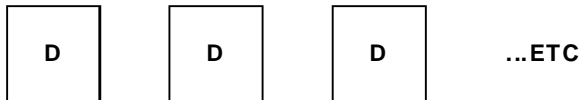
Output. Pin 20. This is an output consisting of an open drain N-channel device. In either pulse or tone mode, the FLASH key will cause a 560 ms output pulse at pin 20.

DEVICE OPERATION

When the MK53762 is not actively dialing, it consumes very little current. Row and Column inputs assume opposite states off-hook. The circuit verifies that a valid key has been entered by alternately scanning the Row and Column inputs. If the input is still valid following 32 ms of debounce, the digit is stored into memory, and dialing begins after a pre-signal delay of approximately 40 ms (measured from initial key closure). Output tone duration is shown in Table 1.

The MK53762 allows manual dialing of an indefinite number of digits, but if more than 18 digits are dialed per number, the 53762 will "wrap around". That is, the extra digits beyond 18 will be stored at the beginning of the LND buffer, and the first 18 digits will no longer be available for redial. During autodial from LND or any MEM location, key inputs are not accepted, but they will suspend dialing until released.

NORMAL DIALING (off-hook)



Normal dialing is straightforward, all keyboard entries will be stored in the buffer and signaled in succession.

LAST NUMBER DIALED (LND)

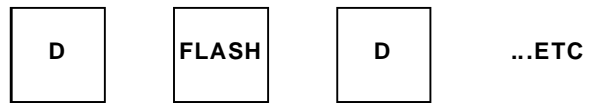


Last number dialing is accomplished by entering the LND key.

SOFTSWITCH

When dialing in the pulse mode, a softswitch feature will allow a change to the tone mode whenever the * key is depressed. Subsequent * inputs will cause the DTMF code for an * to be dialed. The softswitch will only switch from pulse to tone. After returning to on-hook and back to off-hook, the part will be in pulse mode. Redial by the LND key will repeat the softswitch.

HOOK FLASH



Hook flash may be entered into the dialed sequence at any point by keying in the function key, FLASH. Flash consists of a timed Break of 560 ms. The FLASH function is stored in memory, but it will not be redialed as such. When a FLASH key is pressed, no further key inputs will be accepted until the hook-flash function (560 ms break) has been dialed. The key input following a FLASH will be stored as the initial digit of a new number (overwriting the number dialed prior to the FLASH) unless it is another FLASH. Consecutive FLASH entries after a number is dialed will be stored sequentially in the LND memory and a subsequent LND entry will cause the redial of that number with a delay, but not hookflash breaks, at the end of the redialing sequence. When redialing in tone mode, MUTE OUTPUT will remain active during the flash delay period.

PAUSE



A Pause may be entered into the dialed sequence at any point by keying in the special function key, PAUSE. Pause inserts a 1.1-second delay into the dialing sequence. The total delay, including pre-digital and post-digital pauses is shown in Table 3.

PROGRAMMING AND REPERTORY DIALING

PROGRAMMING AND REPERTORY DIALING Programming is independent of HKS (pin 19) and MODE (pin 2).

To program, enter the following :

PROG, Digit 1, Digit 2, ..., MEM (Location 1-9). When programming, dialing is inhibited.

To dial a number from repertory memory (HKS must be low) enter the single key :

MEM (Location 1-9)

To save the last number dialed : PROG, MEM (Location 1-9).

Table 3 : Special Function Delays.

Each delay shown below represents the time required from after the special function key is depressed until a new digit can be dialed.

The time is considered "FIRST" key is all previous inputs have been completed dialed. The time is considered "AUTO" if in redial, or previous dialing is still in progress.

Function	First/Auto	Pulse	Tone
SOFTSWITCH	FIRST	0.40	-
	AUTO	1.10	-
PAUSE	FIRST	1.84	1.15
	AUTO	2.50	1.20

ABSOLUTE MAXIMUM RATINGS*

Parameter	Value	Unit
DC Supply Voltage	6.5	V
Operating Temperature	- 20 to + 60	°C
Storage Temperature	- 55 to + 125	°C
Maximum Power Dissipation (25 °C)	500	mW
Maximum Voltage on any Pin	(V ⁺) + .3 ; (V ⁻) - .3	V

* All specifications are for 2.5 Volt operation and full operating temperature range unless otherwise stated.

ELECTRICAL CHARACTERISTICS (T_{amb} = 25°C unless otherwise specified)**DC CHARACTERISTICS**

Symbol	Parameter	Min.	Typ.	Max.	Unit	Notes
V+ TONE	DC Operating Voltage (tone mode)	2.5		6.0	V	
V _{MR}	Memory Retention Voltage	1.5			V	1. 6
I _S	Standby Current		0.4	1.0	μA	1
I _{MR}	Memory Retention Current		0.15	0.75	μA	5. 6
V _{MUTE}	Mute Output Operating Voltage	1.8			V	7
I _T	Operating Current (tone)		300	600	μA	2
I _P	Operating Current (pulse)		150	250	μA	2
	Operating Current On-hook Program Mode Key Operated No-key Operated			200 1	μA μA	
I _{ML}	Mute Output (2.5 Volts) Sink Current (4.0 Volts)	1.0 3.0			mA mA	3
I _{PL}	Pulse Output Sink Current	1.0	2.0		mA	3
I _{PC}	Pacifier Tone Sink/Source	250	500		μA	4
K _{RU}	Keypad Pullup Resistance		100		kΩ	
K _{RD}	Keypad Pulldown Resistance		500		Ω	
V _{IL}	Keypad Input Level-low	0		0.3 V +	V	
V _{IH}	Keypad Input Level-high	0.7 V +		V +	V	
V _{PULSE}	Operating Voltage (pulse mode)	1.8		6.0	V	

- Notes** :
1. All inputs unloaded. Quiescent mode (oscillator off).
 2. All outputs unloaded, single key input.
 3. V_{OUT} = 0.4 Volts.
 4. Sink current for V_{OUT} = 0.5 Volts, Source Current for V_{OUT} = 2.0 Volts.
 5. Memory Retention Voltage is the point where memory is guaranteed but circuit operation is not.
 6. Proper memory retention is guaranteed if either the minimum I_{MR} is provided or the minimum V_{MR}. The design does not have to provide both the minimum current or voltage simultaneously.
 7. Minimum voltage where activation of mute output with key entry is ensured.

ELECTRICAL CHARACTERISTICS (continued)

AC CHARACTERISTICS – TONE MODE

N°	Symbol	Parameter	Min.	Typ.	Max.	Unit	Notes
	T _{NK}	Tone Output no Key Down			- 80	dBm	1
	T _{Oi}	Tone Output (independent)	- 13 173	- 12 194	- 11 218	dBm mV _{rms}	1, 2 3
	PE _i	Pre-emphasis, High Band	1.4	2.0	2.6	dB	
	DC _i	Tone Output DC Bias V + = 2.5 V + = 3.5		1.25 1.5		V V	
	R _E	Tone Output Load		10		kΩ	4
	T _{RIS}	Tone Output Rise Time		1.0		ms	5
	DIS	Output Distortion		5.0	8.0	%	3
	TR	Tone Signaling Rate		8.0		1/sec	
1	T _{PSD}	Pre-signal Delay	40			ms	6
2	T _{ISD}	Inter-signal Delay (repertory)		54		ms	
	T _{DUR}	Tone Output Duration (repertory)		74		ms	

- Notes :
- 0 dBm equals 1 mW power into 600 Ω or 775 mVolts. Important note : the MK53762 is designed to drive a 10 kΩ load. The 600 Ω load is only for reference.
 - Single tone (low group), as measured at pin 10, T_A = 25°C.
 - Supply voltage = 2.5V; R_E = 10 kΩ. T_{Oi} increases typically of 10mV_{rms} with V_S = 6V.
 - Supply voltage = 2.5 volts.
 - Time from beginning of tone output waveform to 90 % of final magnitude of either frequency. Crystal parameters suggested for proper operation are R_s < 100 Ω, L_m = 96 mH, C_m = 0.02 pF, C_n = 5 pF, f = 3.579545 MHz, and C_L = 18 pF.
 - Time from initial key input until beginning of signaling.

AC CHARACTERISTICS – KEYPAD INPUTS, PACIFIER TONE (numbers in left hand column refer to the timing diagrams.)

N°	Symbol	Parameter	Min.	Typ.	Max.	Unit	Notes
3	T _{KD}	Keypad Debounce Time		32		ms	1
	F _{KS}	Keypad Scan Frequency		250		Hz	1
	F _{PT}	Frequency Pacifier Tone		500		Hz	1
4	T _{PT}	Pacifier Tone Duration		30		ms	1
	T _{HFP}	Hookflash Timing		560		ms	1

- Note : 1. Crystal oscillator accuracy directly affects these times

AC CHARACTERISTICS – PULSE MODE OPERATION

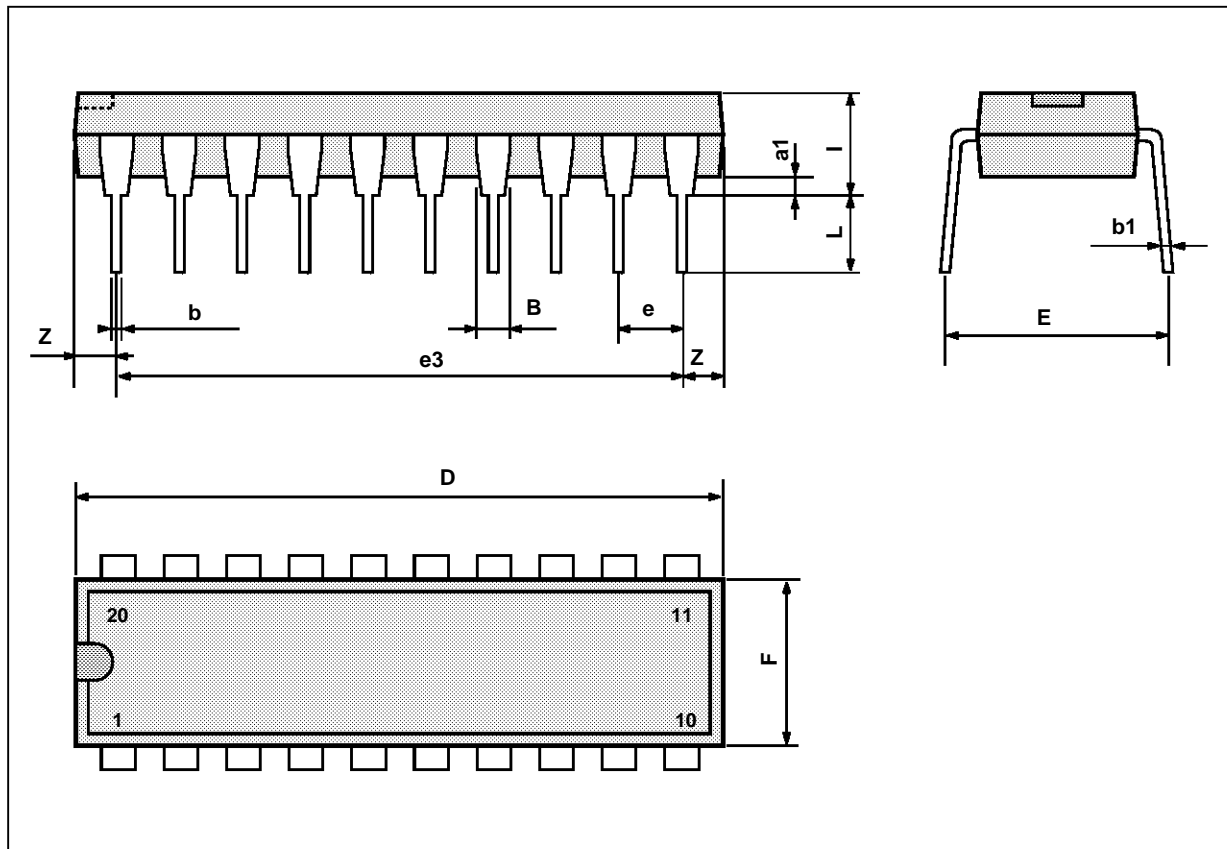
N°	Symbol	Parameter	Min.	Typ.	Max.	Unit	Notes
	P _R	Pulse Rate		10		PPS	1
5	PDP	Predigital Pause		48		ms	2
6	IDP	Interdigital Pause		740		ms	2
7	T _{MO}	Mute Overlap Time		2		ms	2
8	T _B	Break Time		60		ms	2
9	T _M	Make Time		40		ms	2

- Notes : 1. 10 PPS is the nominal rate.

DIP20 PACKAGE MECHANICAL DATA

DIM	mm			inch		
	Min.	Typ.	Max.	Min.	Typ.	Max.
a1	0.254			0.010		
B	1.39		1.65	0.055		0.065
b		0.45			0.018	
b1		0.25			0.010	
D			25.4			1.000
E		8.5			0.335	
e		2.54			0.100	
e3		22.86			0.900	
F			7.1			0.280
i			3.93			0.155
L		3.3			0.130	
Z			1.34			0.053

DIP20.TBL

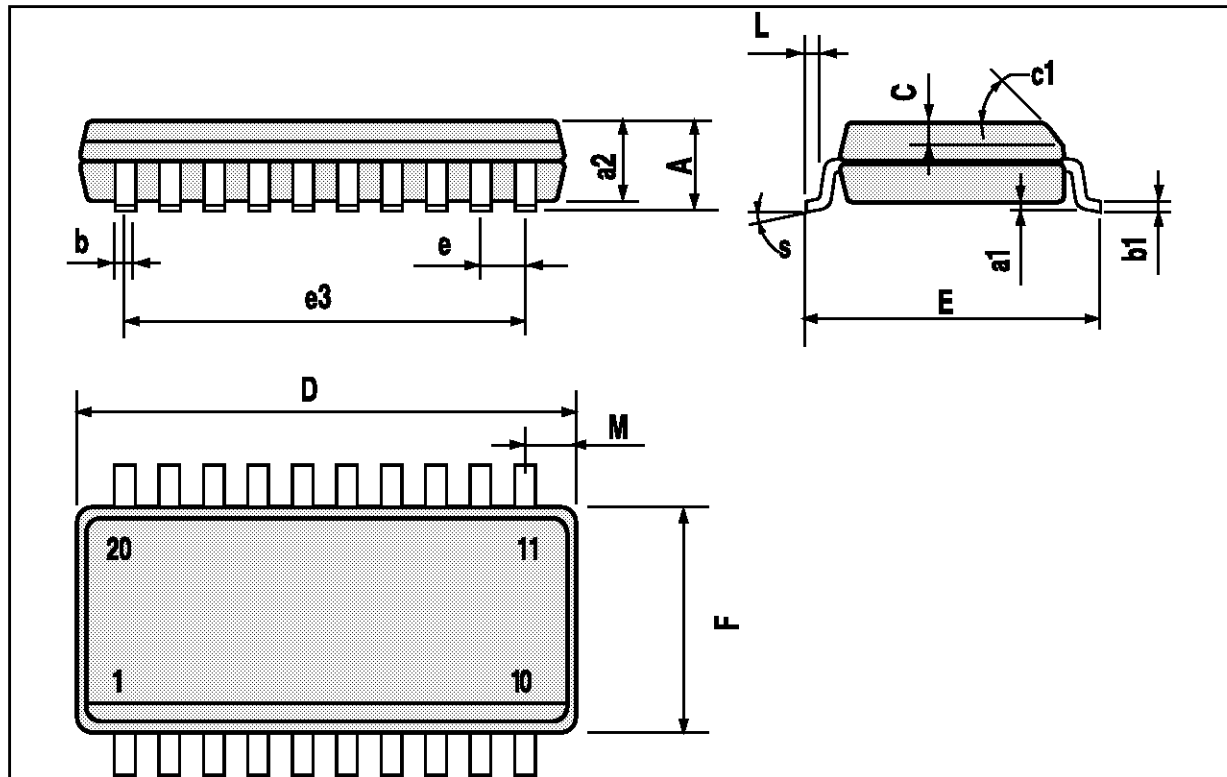


PM-DIP20.EPS

MK53762

SO20 PACKAGE MECHANICAL DATA

DIM.	mm			inch		
	Min.	Typ.	Max.	Min.	Typ.	Max.
A			2.65			0.104
a1	0.1		0.2	0.004		0.008
a2			2.45			0.096
b	0.35		0.49	0.014		0.019
b1	0.23		0.32	0.009		0.013
C		0.5			0.020	
c1	45° (typ.)					
D	12.6		13.0	0.496		0.510
E	10		10.65	0.394		0.419
e		1.27			0.050	
e3		11.43			0.450	
F	7.4		7.6	0.291		0.300
L	0.5		1.27	0.020		0.050
M			0.75			0.030
S	8° (max.)					



Information furnished is believed to be accurate and reliable. However, SGS-THOMSON Microelectronics assumes no responsibility for the consequences of use of such information nor for any infringement of patents or other rights of third parties which may result from its use. No license is granted by implication or otherwise under any patent or patent rights of SGS-THOMSON Microelectronics. Specifications mentioned in this publication are subject to change without notice. This publication supersedes and replaces all information previously supplied. SGS-THOMSON Microelectronics products are not authorized for use as critical components in life support devices or systems without express written approval of SGS-THOMSON Microelectronics.

© 1994 SGS-THOMSON Microelectronics - All Rights Reserved

SGS-THOMSON Microelectronics GROUP OF COMPANIES

Australia - Brazil - France - Germany - Hong Kong - Italy - Japan - Korea - Malaysia - Malta - Morocco - The Netherlands
Singapore - Spain - Sweden - Switzerland - Taiwan - Thailand - United Kingdom - U.S.A.