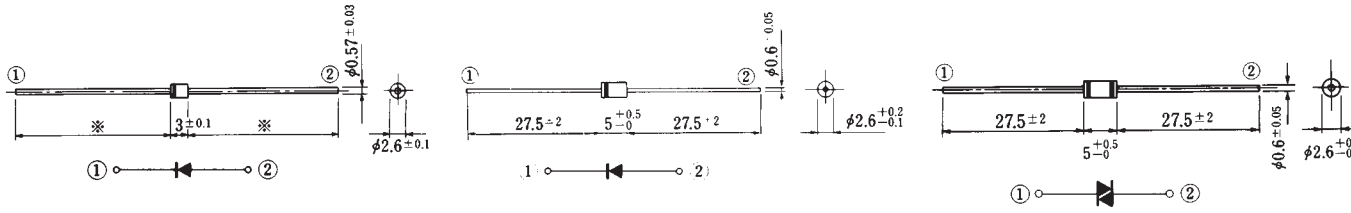


OUTLINE DIMENSIONS



※ Axial Taping or Radial Taping

<p>Fig. 1 Package: AX057</p>	<p>Fig. 2 Package: AX06</p>	<p>Fig. 3 Package: AX06</p>
<p>Fig. 4 Package: AX06</p>	<p>Fig. 5 Package: AX078</p>	<p>Fig. 6 Package: AX10</p>
<p>Fig. 7 Package: AX10</p>	<p>Fig. 8 Package: AX14</p>	<p>Fig. 9 Package: AX14</p>

OUTLINE DIMENSIONS

Fig. 21 Package: IV

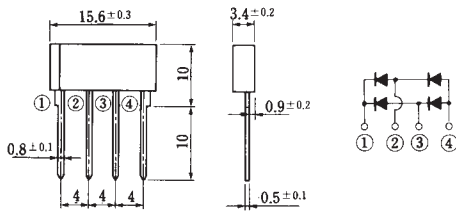


Fig. 22 Package: 2S

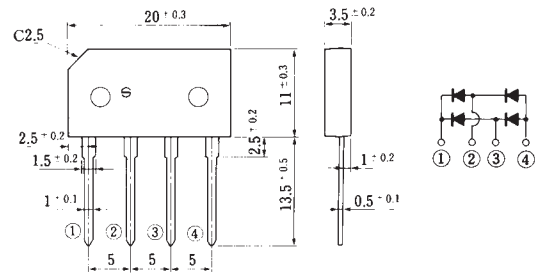


Fig. 23 Package: 3S

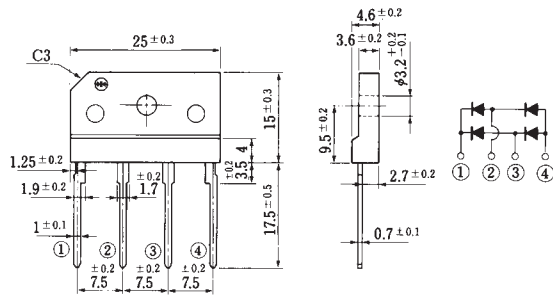


Fig. 24 Package: 5S

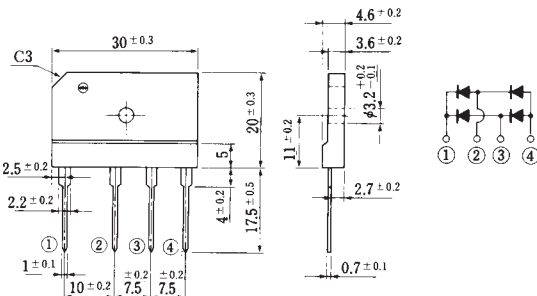


Fig. 25 Package: IZ

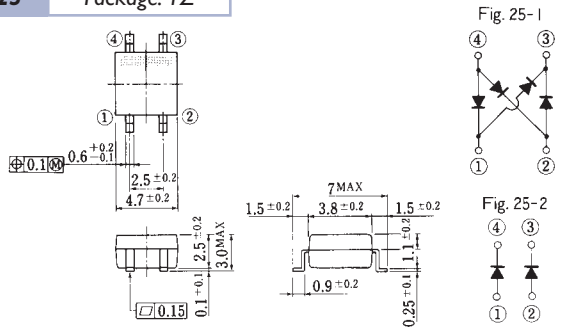


Fig. 26 Package: IZ

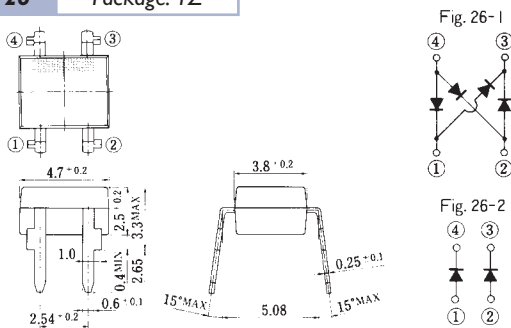


Fig. 27 Package: IN

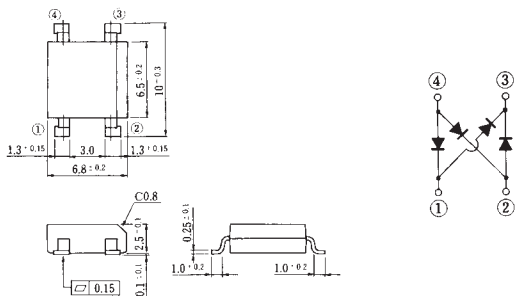


Fig. 28 Package: IN

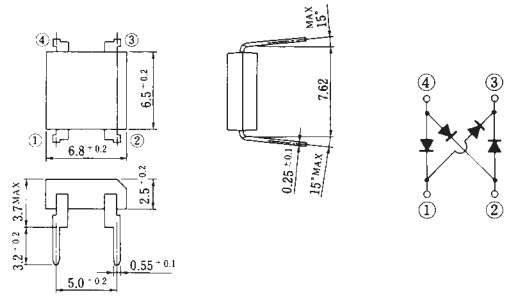


Fig. 29 Package: IY

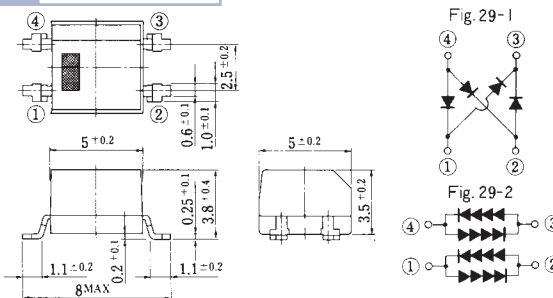
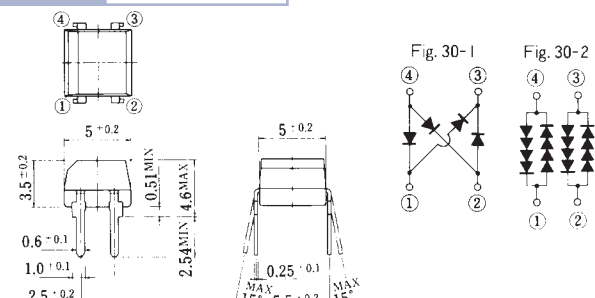


Fig. 30 Package: IY



OUTLINE DIMENSIONS

Fig. 31 Package: IW

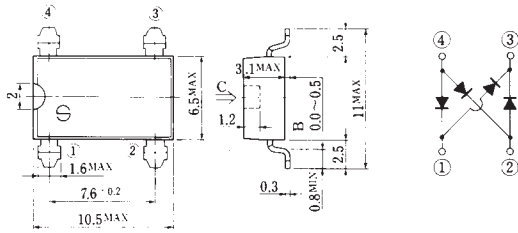


Fig. 32 Package: IW

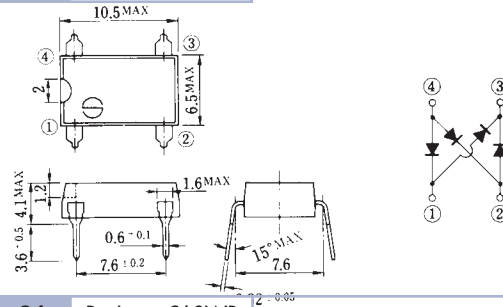


Fig. 33 Package: S3WB

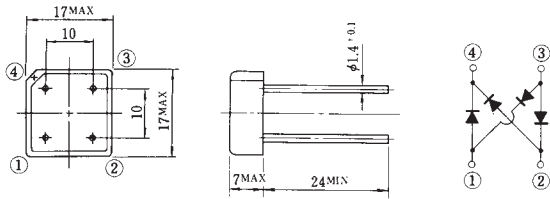


Fig. 34 Package: S10WB

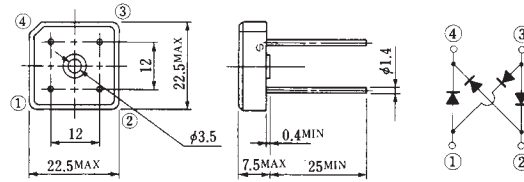


Fig. 35 Package: S15WB

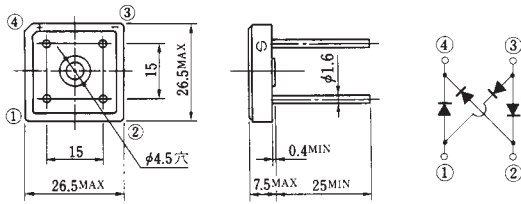


Fig. 36 Package: S20WB

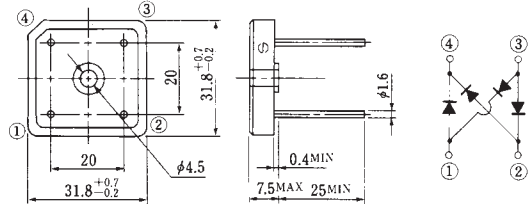


Fig. 37 Package: S2VB

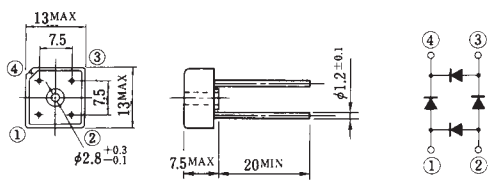


Fig. 38 Package: S4VB

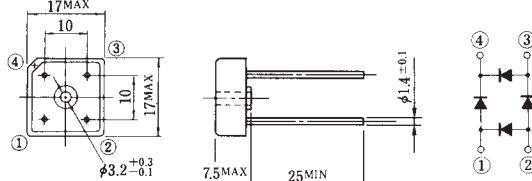


Fig. 39 Package: S5VB

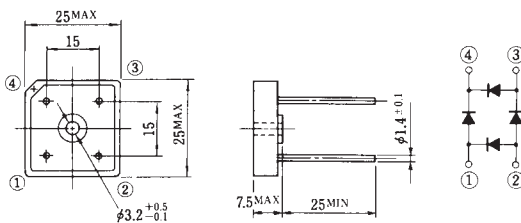
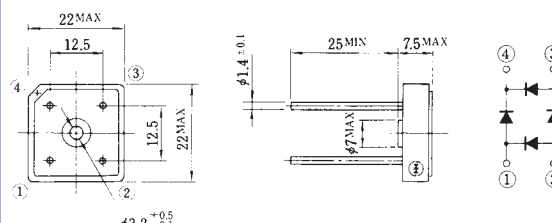


Fig. 40 Package: S10VB



OUTLINE DIMENSIONS

Fig. 41 Package: S15VB

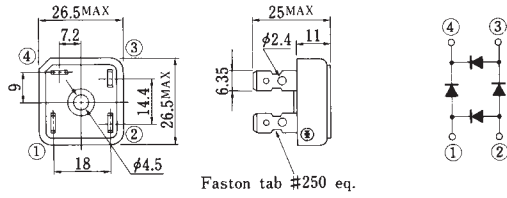


Fig. 42 Package: S25VB

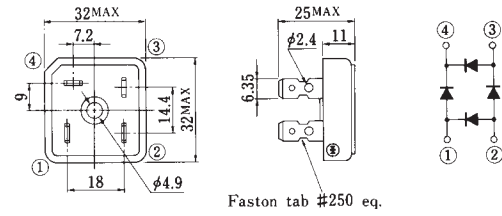


Fig. 43 Package: S50VB

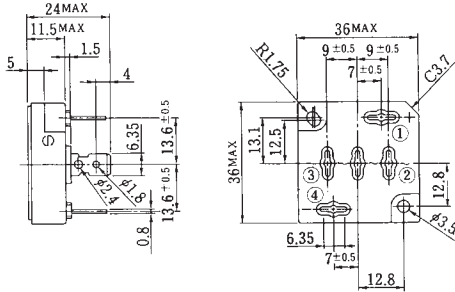


Fig. 44 Package: D15VD

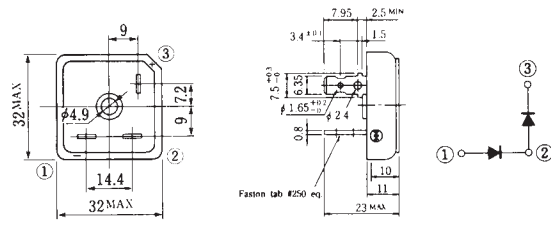


Fig. 45 Package: D30VC

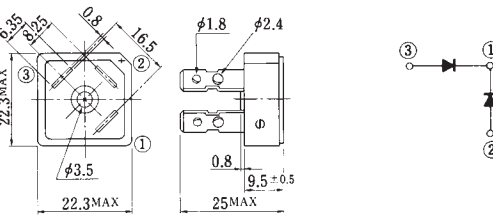


Fig. 46 Package: SVT

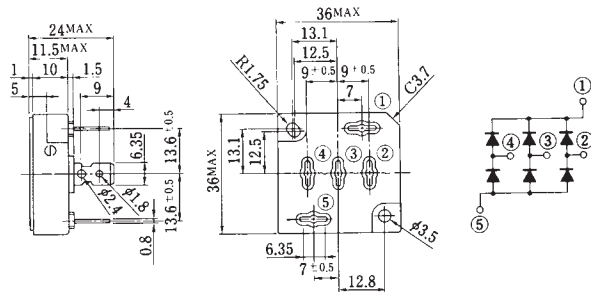


Fig. 47 Package: SVTA

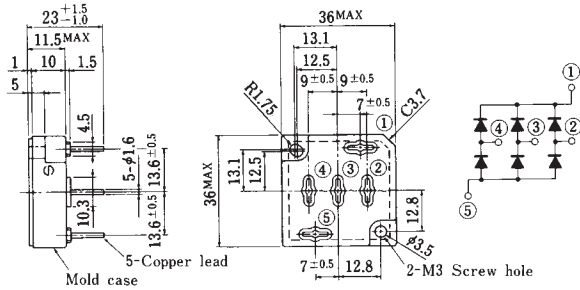


Fig. 48 Package: Modules

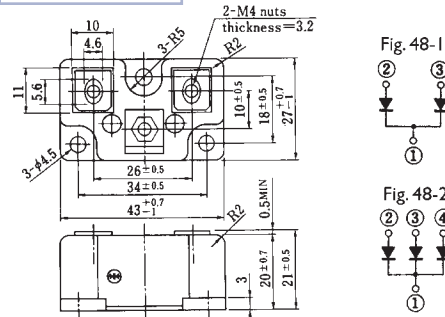
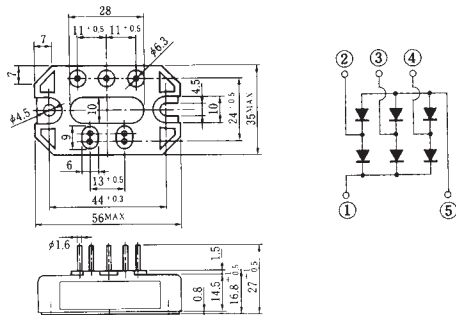


Fig. 49 Package: D30VTA



OUTLINE DIMENSIONS

Fig. 71 Package: MIF

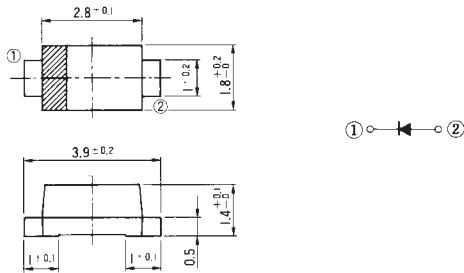


Fig. 72 Package: IF

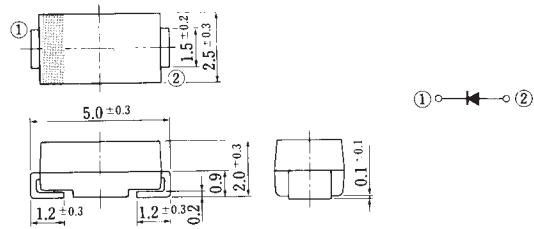


Fig. 73 Package: 2F

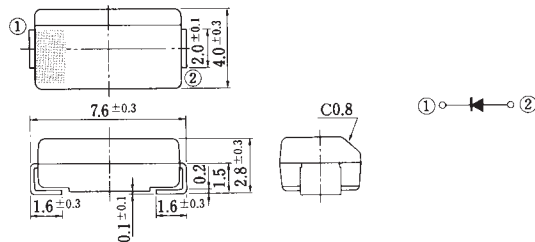


Fig. 74 Package: STO-220

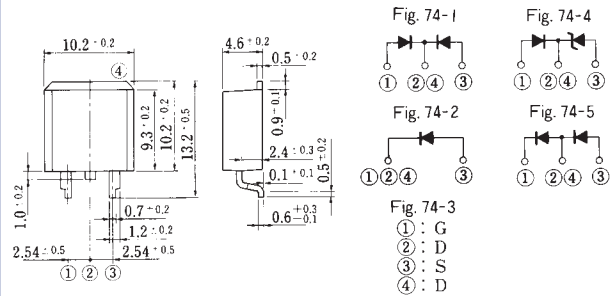


Fig. 75 Package: STO-220

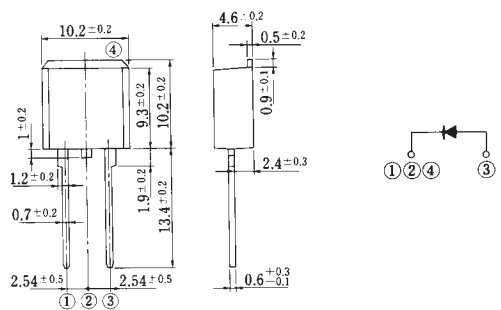


Fig. 76 Package: STO-220

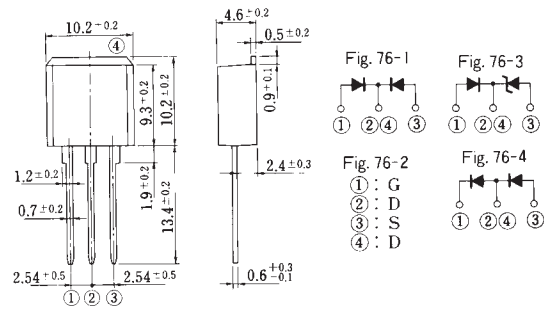


Fig. 77 Package: E-pack

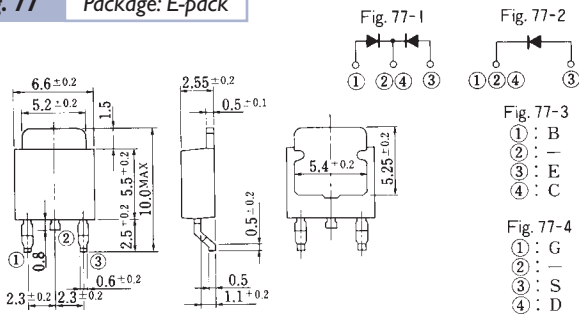


Fig. 78 Package: E-pack

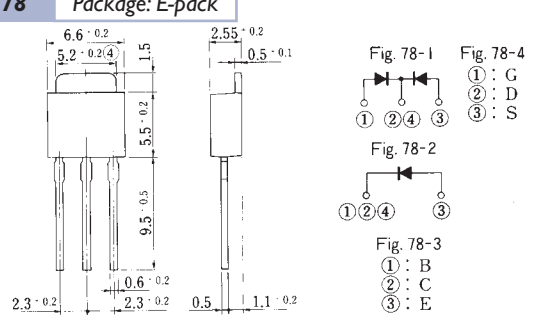


Fig. 79 Package: TO-220

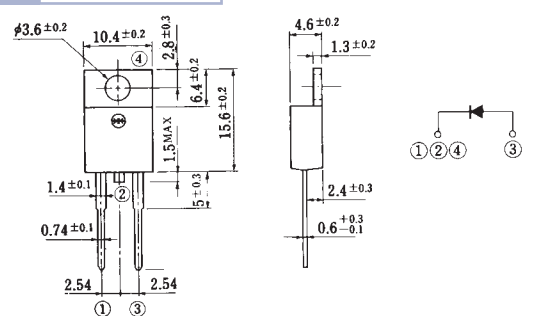
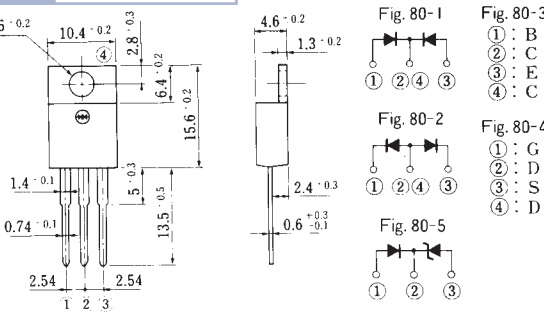


Fig. 80 Package: TO-220



OUTLINE DIMENSIONS

Fig. 81 Package: ITO-220

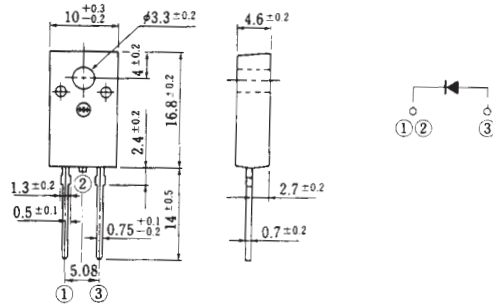


Fig. 82 Package: ITO-220

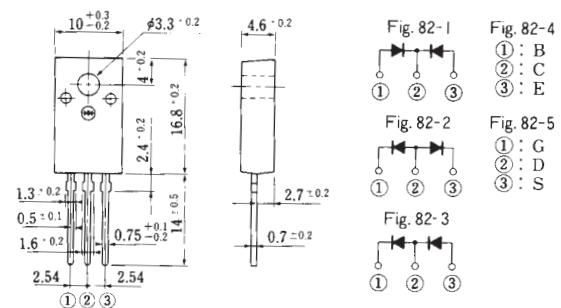


Fig. 83 Package: FTO-220

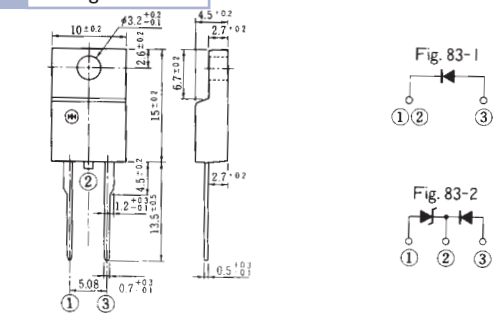


Fig. 84 Package: FTO-220

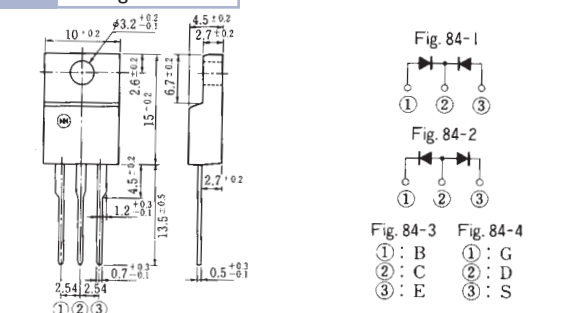


Fig. 85 Package: MTO-3P

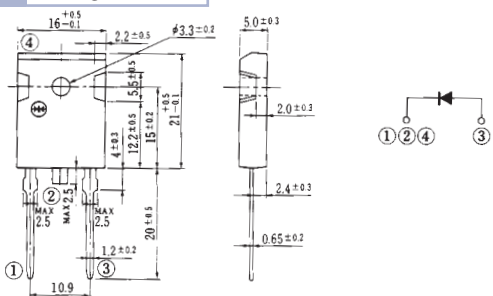


Fig. 86 Package: MTO-3P

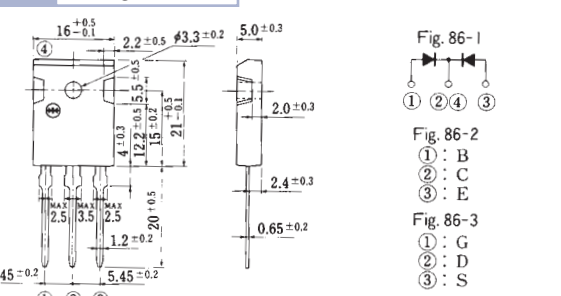


Fig. 87 Package: ITO-3P

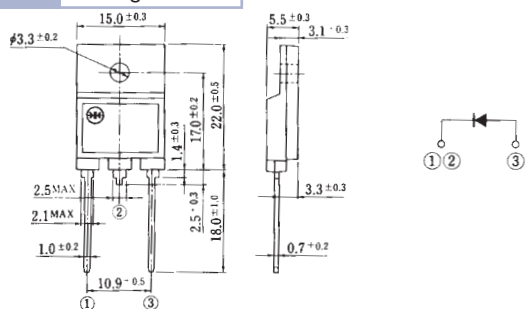


Fig. 88 Package: ITO-3P

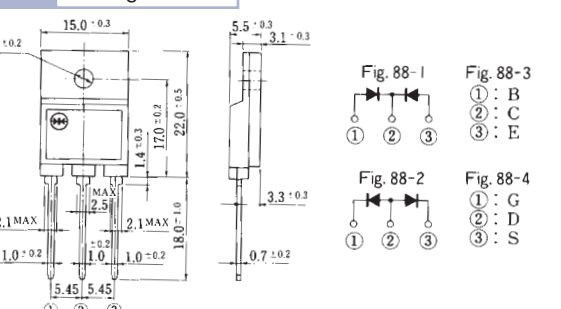


Fig. 89 Package: MTO-3L

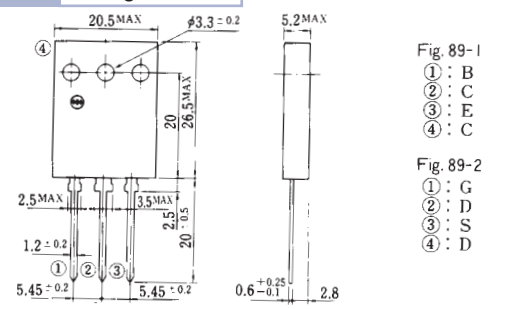
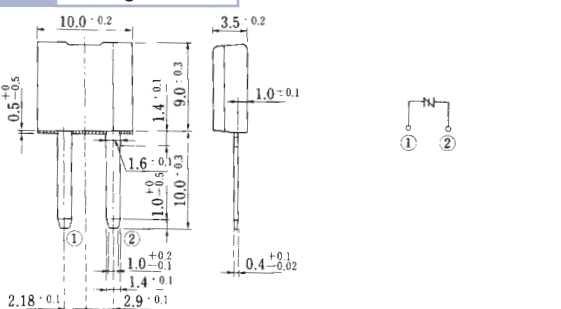


Fig. 90 Package: TO-221



OUTLINE DIMENSIONS

Fig. 91 Package: TO-221

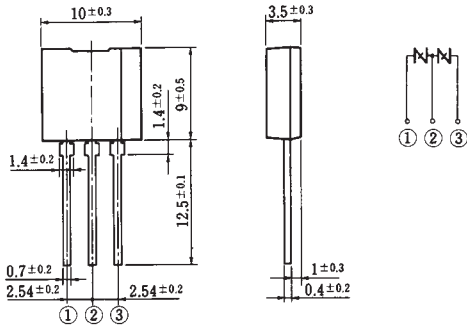


Fig. 92 Package: SOP-8

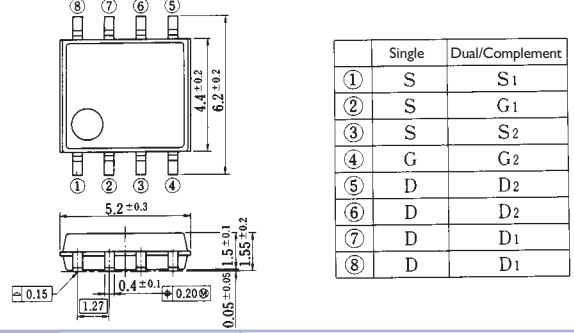


Fig. 93

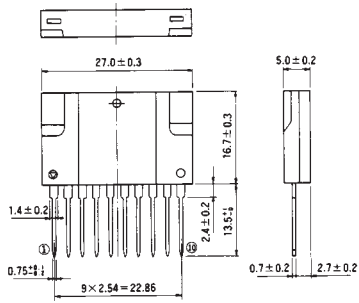


Fig. 94 Package: B-pack

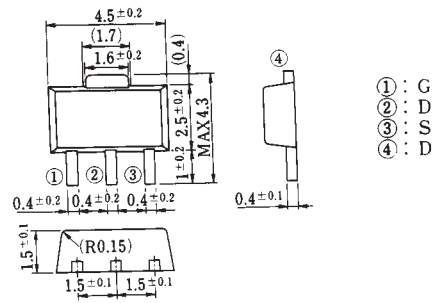
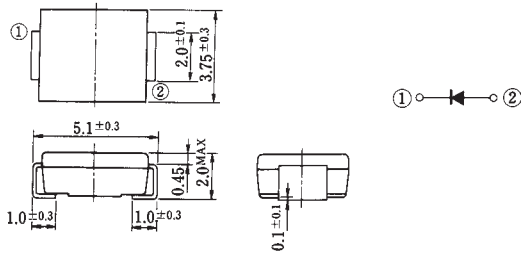


Fig. 95 Package: M2F



OUTLINE DIMENSIONS

Fig. 101 Package: ZIP-27

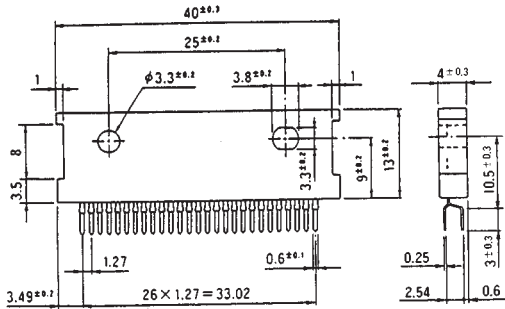


Fig. 102 Package: HSOP-28

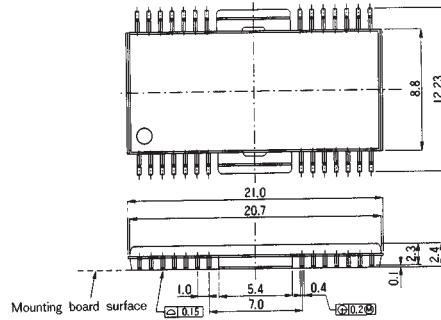


Fig. 103 Package: SIP-16

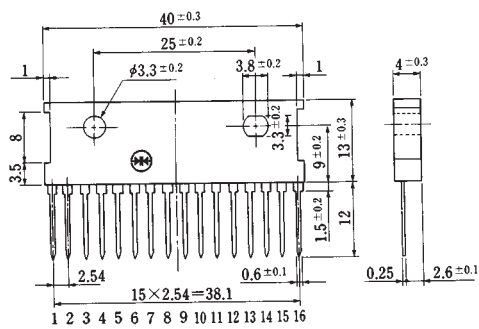


Fig. 104 Package: MA7

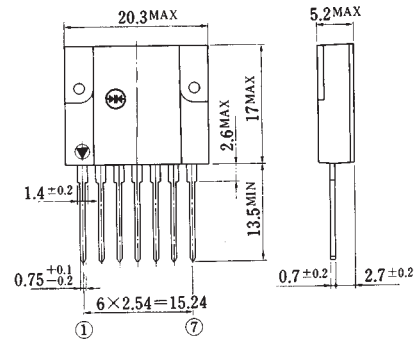


Fig. 105 Package: MA10

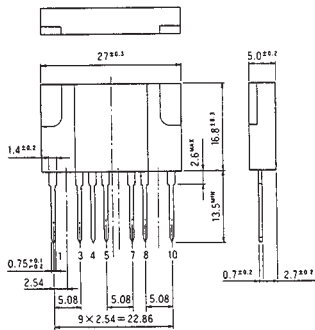


Fig. 106 Package: HSOP-40

