

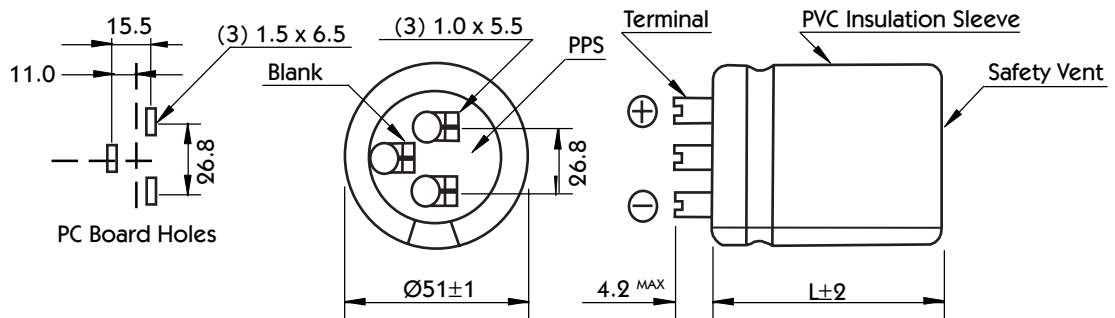
ALUMINUM ELECTROLYTIC CAPACITORS

PS2 Series and US2 Series



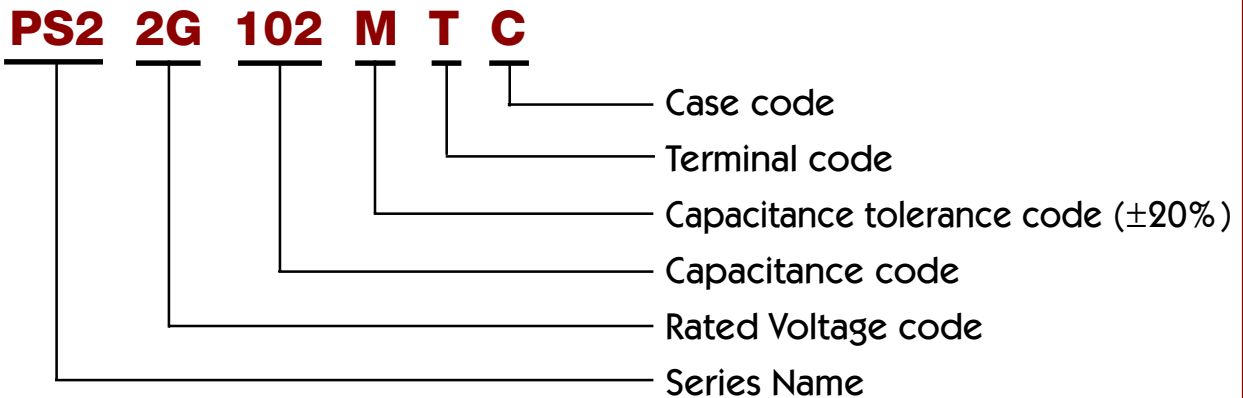
- PS2 Series - Life rating to 2,000 hours at 85°C.
- US2 Series - Life rating to 2,000 hours at 105°C.
- Both product series are designed for filtering applications in inverter and servo amplifiers.
- Ideal for improving cost performance with larger diameter and higher ripple current.
- High ripple current was realized with a new heat radiation structure and low ESR material.
- Maximum ripple current has improved by 27% compared with HP3 and HU3 series.
- This series offers T: T-Terminals, with 3rd blank terminal for increased mounting stability.

BLANK terminals must not be connected to any other circuit.



Product Numbering System for PS2 and US2 Series

Example: PS2 Series, 400V, 1,000µF, ±20%, T terminal, 51 x 51mm



Capacitance Code: To determine Capacitance code use the first 2 digits of the Capacitance followed by the number of zeros. Using the above example of 1,000: 10 + 2 zeros = 102.

ALUMINUM ELECTROLYTIC CAPACITORS

PS2 Series

•Life rating to 2,000 hours at 85°C

•Temperature range -40°C to +85°C

Ripple Current Correction Coefficient

| Temperature (°C) | 40 | 60 | 85 |
|------------------------|------|------|------|
| Correction Coefficient | 1.89 | 1.51 | 1.00 |

| Frequency (Hz) | 50/60 | 120 | 300 | 1K | ≥10K |
|------------------------|-------|-----|-----|-----|------|
| Correction Coefficient | 0.7 | 1.0 | 1.1 | 1.3 | 1.4 |

| Rated Voltage (WVDC) | Part Number | Capacitance | Case Size ØD x L (mm) | Maximum Ripple Current (A rms) @85°C, 120Hz | Maximum ESR (mΩ) | Typical ESL (nH) |
|---------------------------|---------------|-------------|-----------------------|---|------------------|------------------|
| 200 Volts (Code: 2D) | PS22D182MTB | 1,800 | 41 X 45 | 5.78 | Call | Call |
| | PS22D222MTB | 2,200 | 41 X 55 | 6.35 | Call | Call |
| | PS22D272MTH | 2,700 | 46 X 51 | 6.68 | Call | Call |
| | PS22D332MTB | 3,300 | 41 X 64 | 7.46 | Call | Call |
| | PS22D332MTC | 3,300 | 51 X 51 | 7.07 | Call | Call |
| | PS22D332MTH | 3,300 | 46 X 61 | 7.35 | Call | Call |
| | PS22D392MTC | 3,900 | 51 X 61 | 7.76 | Call | Call |
| | PS22D392MTH | 3,900 | 46 X 71 | 7.98 | Call | Call |
| 250 Volts (Code: 2E) | PS22E122MTB | 1,200 | 41 X 45 | 4.72 | Call | Call |
| | PS22E182MTB | 1,800 | 41 X 55 | 5.75 | Call | Call |
| | PS22E182MTH | 1,800 | 46 X 51 | 5.37 | Call | Call |
| | PS22E222MTB | 2,200 | 41 X 64 | 6.41 | Call | Call |
| | PS22E222MTH | 2,200 | 46 X 61 | 6.00 | Call | Call |
| | PS22E272MTC | 2,700 | 51 X 51 | 6.40 | Call | Call |
| | PS22E332MTC | 3,300 | 51 X 61 | 7.14 | Call | Call |
| | PS22E332MTH | 3,300 | 46 X 71 | 6.40 | Call | Call |
| 400 Volts (Code: 2G) | PS22G561MTB | 560 | 41 X 45 | 4.22 | Call | Call |
| | PS22G681MTB | 680 | 41 X 55 | 4.62 | Call | Call |
| | PS22G821MTH | 820 | 46 X 61 | 5.13 | Call | Call |
| | PS22G102MTB | 1,000 | 41 X 64 | 5.66 | Call | Call |
| | PS22G102MTC | 1,000 | 51 X 51 | 5.88 | Call | Call |
| | PS22G102MTH | 1,000 | 46 X 61 | 5.73 | Call | Call |
| | PS22G122MTC | 1,200 | 51 X 61 | 6.51 | Call | Call |
| | PS22G122MTH | 1,200 | 46 X 71 | 6.26 | Call | Call |
| 420 Volts (Code: 420V) | PS2420V471MTB | 470 | 41 X 45 | 3.71 | Call | Call |
| | PS2420V681MTB | 680 | 41 X 55 | 4.44 | Call | Call |
| | PS2420V681MTH | 680 | 46 X 51 | 4.48 | Call | Call |
| | PS2420V821MTB | 820 | 41 X 64 | 4.92 | Call | Call |
| | PS2420V821MTC | 820 | 51 X 51 | 5.11 | Call | Call |
| | PS2420V102MTH | 1,000 | 46 X 61 | 5.49 | Call | Call |
| | PS2420V122MTC | 1,200 | 51 X 61 | 6.25 | Call | Call |
| | PS2420V122MTH | 1,200 | 46 X 71 | 6.01 | Call | Call |
| 450 Volts (Code: 2GW) | PS22W391MTB | 390 | 41 X 45 | 3.38 | Call | Call |
| | PS22W561MTB | 560 | 41 X 55 | 4.03 | Call | Call |
| | PS22W681MTH | 680 | 46 X 51 | 4.48 | Call | Call |
| | PS22W821MTB | 820 | 41 X 64 | 4.92 | Call | Call |
| | PS22W821MTC | 820 | 51 X 51 | 5.11 | Call | Call |
| | PS22W821MTH | 820 | 46 X 61 | 4.98 | Call | Call |
| | PS22W102MTC | 1,000 | 51 X 61 | 5.70 | Call | Call |
| | PS22W102MTH | 1,000 | 46 X 71 | 5.48 | Call | Call |
| PS22W122MTC | 1,200 | 51 X 71 | 6.22 | Call | Call | |

ALUMINUM ELECTROLYTIC CAPACITORS

US2 Series

•Life rating to 2,000 hours at 105°C

•Temperature range -40°C to +105°C

Ripple Current Correction Coefficient

| Temperature (°C) | 40 | 60 | 85 | 105 |
|------------------------|------|------|------|------|
| Correction Coefficient | 2.50 | 2.00 | 1.63 | 1.00 |

| Frequency (Hz) | 50/60 | 120 | 300 | 1K | ≥10K |
|------------------------|-------|-----|-----|-----|------|
| Correction Coefficient | 0.7 | 1.0 | 1.1 | 1.3 | 1.4 |

| Rated Voltage (WVDC) | Part Number | Capacitance | Case Size ØD x L (mm) | Maximum Ripple Current (A rms) @105°C, 120Hz | Maximum ESR (mΩ) | Typical ESL (nH) |
|---------------------------|---------------|-------------|-----------------------|--|------------------|------------------|
| 200 Volts (Code: 2D) | US22D152MTB | 1,500 | 41 X 45 | 3.99 | Call | Call |
| | US22D222MTB | 2,200 | 41 X 55 | 4.80 | Call | Call |
| | US22D222MTH | 2,200 | 46 X 51 | 4.49 | Call | Call |
| | US22D272MTB | 2,700 | 41 X 64 | 5.37 | Call | Call |
| | US22D272MTC | 2,700 | 51 X 51 | 4.84 | Call | Call |
| | US22D332MTH | 3,300 | 46 X 61 | 5.56 | Call | Call |
| | US22D392MTC | 3,900 | 51 X 61 | 5.87 | Call | Call |
| | US22D392MTH | 3,900 | 46 X 71 | 6.03 | Call | Call |
| 250 Volts (Code: 2E) | US22D472MTC | 4,700 | 51 X 71 | 6.42 | Call | Call |
| | US22E102MTB | 1,000 | 41 X 45 | 3.26 | Call | Call |
| | US22E152MTB | 1,500 | 41 X 55 | 3.96 | Call | Call |
| | US22E182MTB | 1,800 | 41 X 64 | 4.38 | Call | Call |
| | US22E182MTC | 1,800 | 51 X 51 | 3.95 | Call | Call |
| | US22E182MTH | 1,800 | 46 X 51 | 4.06 | Call | Call |
| | US22E222MTH | 2,200 | 46 X 61 | 4.54 | Call | Call |
| | US22E272MTC | 2,700 | 51 X 61 | 4.88 | Call | Call |
| 400 Volts (Code: 2G) | US22E272MTH | 2,700 | 46 X 71 | 5.02 | Call | Call |
| | US22E332MTC | 3,300 | 51 X 71 | 5.38 | Call | Call |
| | US22G471MTB | 470 | 41 X 45 | 2.92 | Call | Call |
| | US22G681MTB | 680 | 41 X 55 | 3.50 | Call | Call |
| | US22G681MTH | 680 | 46 X 51 | 3.53 | Call | Call |
| | US22G821MTB | 820 | 41 X 64 | 3.87 | Call | Call |
| | US22G821MTC | 820 | 51 X 51 | 4.03 | Call | Call |
| | US22G102MTH | 1,000 | 46 X 61 | 4.33 | Call | Call |
| 420 Volts (Code: 420V) | US22G122MTC | 1,200 | 51 X 61 | 4.92 | Call | Call |
| | US22G122MTH | 1,200 | 46 X 71 | 4.73 | Call | Call |
| | US22G152MTC | 1,500 | 51 X 71 | 5.48 | Call | Call |
| | US2420V391MTB | 390 | 41 X 45 | 2.56 | Call | Call |
| | US2420V561MTB | 560 | 41 X 55 | 3.04 | Call | Call |
| | US2420V681MTH | 680 | 46 X 51 | 3.39 | Call | Call |
| | US2420V821MTB | 820 | 41 X 64 | 3.72 | Call | Call |
| | US2420V821MTC | 820 | 51 X 51 | 3.87 | Call | Call |
| 450 Volts (Code: 2W) | US2420V821MTH | 820 | 46 X 61 | 3.76 | Call | Call |
| | US2420V102MTC | 1,000 | 51 X 61 | 4.31 | Call | Call |
| | US2420V102MTH | 1,000 | 46 X 71 | 4.15 | Call | Call |
| | US2420V122MTC | 1,200 | 51 X 71 | 4.71 | Call | Call |
| | US22W331MTB | 330 | 41 X 45 | 2.35 | Call | Call |
| | US22W471MTB | 470 | 41 X 55 | 2.79 | Call | Call |
| | US22W561MTB | 560 | 41 X 64 | 3.07 | Call | Call |
| | US22W561MTH | 560 | 46 X 51 | 3.07 | Call | Call |
| 450 Volts (Code: 2W) | US22W681MTC | 680 | 51 X 51 | 3.52 | Call | Call |
| | US22W681MTH | 680 | 46 X 61 | 3.43 | Call | Call |
| | US22W821MTC | 820 | 51 X 61 | 3.90 | Call | Call |
| | US22W821MTH | 820 | 46 X 71 | 3.75 | Call | Call |
| | US22W102MTC | 1,000 | 51 X 71 | 4.30 | Call | Call |