

# RC7105

## Clock Buffer/Driver

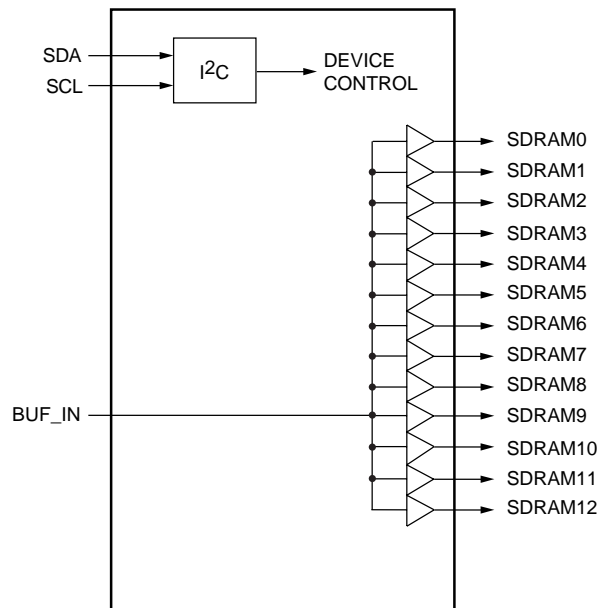
### Features

- Thirteen skew controlled CMOS clock outputs (SDRAM0:12)
- Drives three SDRAM DIMMs
- I<sup>2</sup>C interface
- Clock Skew between any two outputs is less than 250 ps
- 1 to 5ns propagation delay
- DC to 133MHz operation
- Single 3.3V supply voltage
- Low power CMOS design in a 28-pin, SOIC package

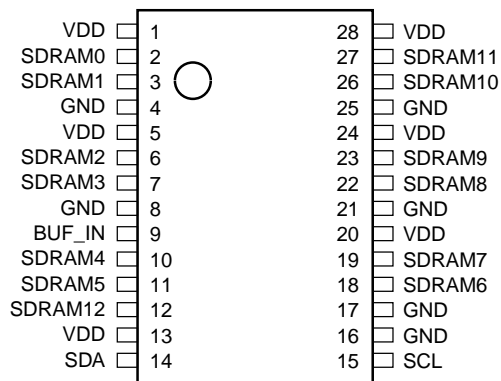
### Description

The Fairchild RC7105 is a low-voltage, thirteen-output clock buffer. The skew between any two outputs is less than 250 ps and the buffers can be individually enabled or disabled by programming via the I<sup>2</sup>C serial interface. Output buffer impedance is approximately 15Ω which is ideal for driving SDRAM DIMMs.

### Block Diagram



## Pin Assignments



## Pin Descriptions

Pin Name	Pin Number	Type	Pin Function Description
SDRAM0:12	2, 3, 6, 7, 10, 11, 18, 19, 22, 23, 26, 27, 12	OUT	<b>SDRAM Outputs:</b> Provides buffered copy of BUF_IN. The propagation delay from a rising input edge to a rising output edge is 1 to 5ns. All outputs are skew controlled to within $\pm 250$ ps of each other.
BUF_IN	9	IN	<b>Clock Input:</b> This clock input has an input threshold voltage of 1.5V (typ).
SDA	14	IN/OUT	<b>I<sup>2</sup>C Data input:</b> Data should be presented to this input as described in the I <sup>2</sup> C section of this data sheet.
SCL	15	IN	<b>I<sup>2</sup>C clock input:</b> The I <sup>2</sup> C clock should be presented to this input as described in the I <sup>2</sup> C section of this data sheet.
VDD	1, 5, 13, 20, 24, 28	POWER	<b>Power Connection:</b> Power supply for core logic and output buffers. Connected to 3.3V supply.
GND	4, 8, 16, 17, 21, 25	GROUND	<b>Ground Connection:</b> Connect all ground pins to the common system ground plane.

## Absolute Maximum Ratings<sup>1</sup>

(beyond which the device will be damaged)

Symbol	Parameter	Min.	Units
$V_{DD}, V_{IN}$	Voltage on any pin with respect to GND	-0.5 to +7.0	V
$T_{STG}$	Storage Temperature	-65 to +150	°C
$T_B$	Ambient Temperature under Bias	-55 to +125	°C
$T_A$	Operating Temperature	0 to +70	°C

### Notes:

1. Absolute maximum ratings are limiting values applied individually while all other parameters are within specified operating conditions. Functional operation under any of these conditions is NOT implied. Performance and reliability are guaranteed only if Operating Conditions are not exceeded.

## DC Electrical Characteristics

$T_A = 0^{\circ}\text{C}$  to  $+70^{\circ}\text{C}$ ;  $V_{DD} = 3.3\text{V} \pm 5\%$

Parameter	Test Condition	Min.	Typ.	Max.	Units
<b>Supply Current</b>					
$I_{DD}$	3.3V Supply Current	BUF_IN = 100MHZ		250	mA
<b>Logic Input</b>					
$V_{IL}$	Input Low Voltage	GND -0.3		0.8	V
$V_{IH}$	Input High Voltage	2.0		VDD+0.5	V
$I_{ILEAK}$	Input Leakage Current, BUF_IN	-5		+5	$\mu\text{A}$
$I_{ILEAK}$	Input Leakage Current (Note)	-20		+5	$\mu\text{A}$
<b>Logic Outputs (SDRAM0:12)</b>					
$V_{OL}$	Output Low Voltage	$I_{OL} = 1\text{mA}$		0.4	V
$V_{OH}$	Output High Voltage	$I_{OH} = 1\text{mA}$	2.4		V
$I_{OL}$	Output Low Current	$V_{OL} = 1.4\text{V}$	55	159	mA
$I_{OH}$	Output High Current	$V_{OH} = 1.4\text{V}$	-188	-50	mA
<b>Pin Capacitance/Inductance</b>					
$C_{IN}$	Input Pin Capacitance			5	pF
$C_{OUT}$	Output Pin Capacitance			6	pF
$L_{IN}$	Input Pin Inductance			7	nH

**Note:** SDA and SCL logic pins have an internal pull-up resistor.

## AC Electrical Characteristics

$T_A = 0^\circ\text{C}$  to  $+70^\circ\text{C}$ ;  $V_{DD} = 3.3\text{V} \pm 5\%$ ; (Lump Capacitance Test Load = 30pF)

Parameter		Min.	Typ.	Max.	Units	Test Condition/Comments
$f_{IN}$	Input Frequency	0		133	MHz	
$t_R$	Output Rise Time	0.5		1.33	ns	Measured from 0.4V to 2.4V
$t_F$	Output Fall Time	0.5		1.33	ns	Measured from 2.4V to 0.4V
$t_{SR}$	Output Skew, Rising Edges			250	ps	
$t_{SF}$	Output Skew, Falling Edges			250	ps	
$t_{EN}$	Output Enable Time	1.0		8.0	ns	
$t_{DIS}$	Output Disable Time	1.0		8.0	ns	
$t_{PR}$	Rising Edge Propagation Delay	1.0		5.0	ns	
$t_{PF}$	Falling Edge Propagation Delay	1.0		5.0	ns	
$t_D$	Duty Cycle	45		55	%	Measured at 1.5V
$Z_0$	AC Output Impedance		15		$\Omega$	Average value during switching transition. Used for determining series termination value.

## How To Use the Serial Data Interface

### Electrical Requirements

Figure 1 shows the architecture for the I<sup>2</sup>C serial interface bus used with the RC7105. Devices on the bus signal with an open drain logic output that actively pulls the bus line low, or lets the bus default to VDD (logic 1). The pull-up resistor on each bus line, SCL and SDA, establishes a default logic 1.

Although the RC7105 is a slave device which cannot write data on the bus, it does transmit an “acknowledge” data pulse after each byte is received. Thus, the SDA line is an I/O pin.

The pull-up resistor value should be designed to meet the rise and fall times specified in AC parameters, based on total bus line capacitance.

### Signaling Requirements

As demonstrated in Figure 2, the I<sup>2</sup>C protocol defines valid data bits as stable logic 0 or 1 condition on the SDA line during an SCL high (logic 1) pulse. A transitioning SDA line during an SCL high pulse may be read as a start or stop pulse.

Figure 3 shows how a “start bit” commands the beginning of a write sequence. The “stop bit” shown signifies that the sequence has ended. The RC7105 sends an “acknowledge” pulse after receiving eight data bits by asserting a low pulse on SDA, as shown in Figure 4.

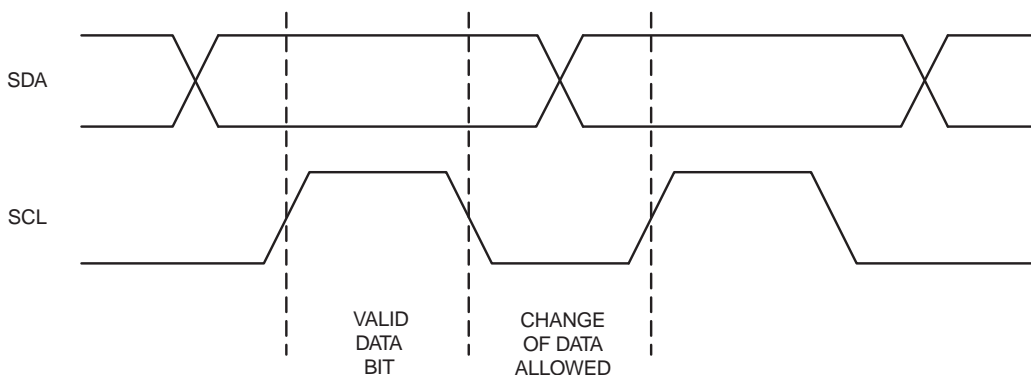


Figure 2. Serial Data Bus Valid Data Bit

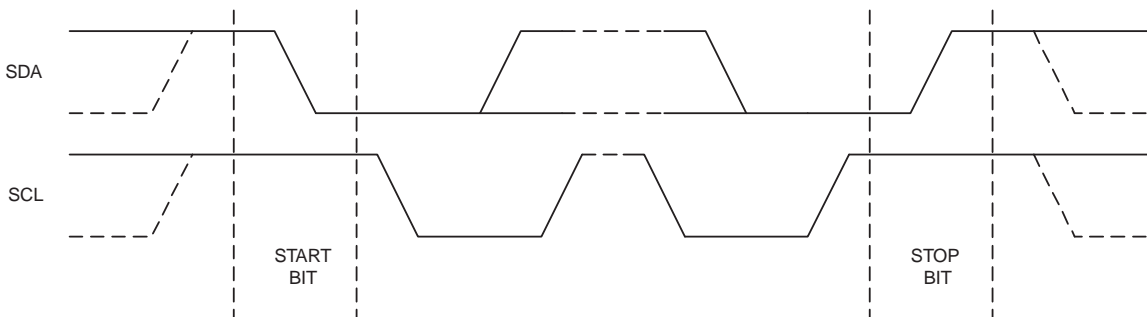


Figure 3. Serial Data Bus Start and Stop Bit

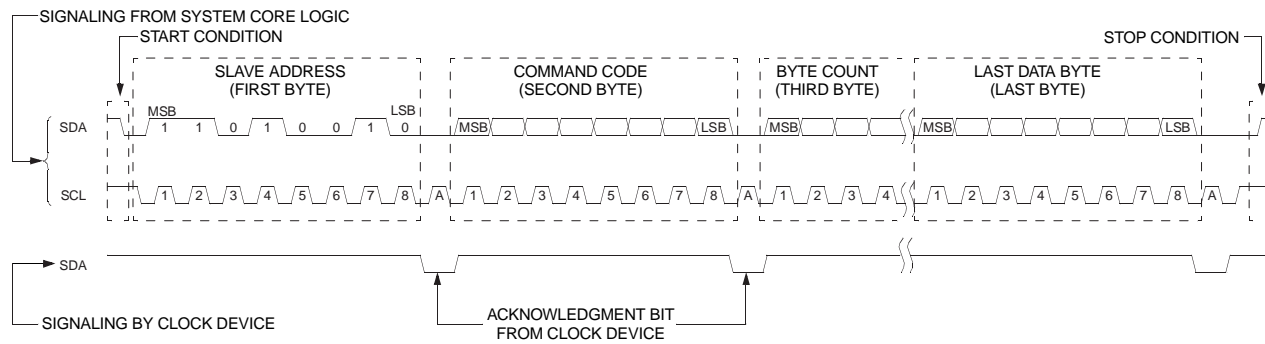


Figure 4. Serial Data Bus Write Sequence

## Functional Description

### Output Drivers

The RC7105 uses CMOS type output buffers which drive the output rail-to-rail (GND to VDD) into typical capacitive loads. Because of this the outputs are both TTL and CMOS level compatible. Nominal output buffer impedance is 15Ω.

### Operation

The RC7105 is programmed by writing ten bytes of eight bits each. See Table 1 for byte sequence.

**Table 1. Byte Writing Sequence**

Byte Sequence	Byte Name	Bit Sequence	Byte Description
1	Slave Address	11010010	Commands the RC7105 to accept the bits in Data Bytes 0-6 for internal register configuration. Since other devices may exist on the same common serial data bus, it is necessary to have a specific slave address for each potential receiver. The slave receiver address for the RC7105 is 11010010. Register setting will not be made if the Slave Address is not correct (or is for an alternate slave receiver).
2	Command Code	Don't Care	Unused by the RC7105, therefore bit values are ignored (don't care). This byte must be included in the data write sequence to maintain proper byte allocation. The Command Code Byte is part of the standard serial communication protocol and may be used when writing to another addressed slave receiver on the serial data bus.
3	Byte Count	Don't Care	Unused by the RC7105, therefore bit values are ignored (don't care). This byte must be included in the data write sequence to maintain proper byte allocation. The Byte Count Byte is part of the standard serial communication protocol and may be used when writing to another addressed slave receiver on the serial data bus.
4	Data Byte 0	Refer to Table 2	The data bits in these bytes set internal RC7105 registers that control device operation. The data bits are only accepted when the Address Byte bit sequence is 11010010, as noted above. For description of bit control functions, refer to Table 2, Data Byte Serial Configuration Map.
5	Data Byte 1		
6	Data Byte 2		
7	Data Byte 3	Don't Care	Refer to Fairchild clock drivers.
8	Data Byte 4		
9	Data Byte 5		
10	Data Byte 6		

## Writing Data Bytes

Each bit of the 10 data bytes controls a particular device function within the RC7105. Bit 7, the MSB, is written first. See Table 2 for bit descriptions of Data Bytes 0–2.

**Table 2. Data Bytes 0-2 Serial Configuration Map**

Bit(s)	Affected Pin		Control Function	Bit Control	
	Pin No.	Pin Name		0	1
<b>Data Byte 0 SDRAM Active/Inactive Register (1=Enable, 0=Disable)</b>					
7	11	SDRAM5	Clock Output Disable	Low	Active
6	10	SDRAM4	Clock Output Disable	Low	Active
5	N/A	Reserved	(Reserved)	—	—
4	N/A	Reserved	(Reserved)	—	—
3	7	SDRAM3	Clock Output Disable	Low	Active
2	6	SDRAM2	Clock Output Disable	Low	Active
1	3	SDRAM1	Clock Output Disable	Low	Active
0	2	SDRAM0	Clock Output Disable	Low	Active
<b>Data Byte 1 SDRAM Active/Inactive Register (1=Enable, 0=Disable)</b>					
7	27	SDRAM11	Clock Output Disable	Low	Active
6	26	SDRAM10	Clock Output Disable	Low	Active
5	23	SDRAM9	Clock Output Disable	Low	Active
4	22	SDRAM8	Clock Output Disable	Low	Active
3	N/A	Reserved	(Reserved)	—	—
2	N/A	Reserved	(Reserved)	—	—
1	19	SDRAM7	Clock Output Disable	Low	Active
0	18	SDRAM6	Clock Output Disable	Low	Active
<b>Data Byte 2 SDRAM Active/Inactive Register (1=Enable, 0=Disable)</b>					
7	N/A	Reserved	(Reserved)	—	—
6	12	SDRAM12	Clock Output Disable	Low	Active
5	N/A	Reserved	(Reserved)	—	—
4	N/A	Reserved	(Reserved)	—	—
3	N/A	Reserved	(Reserved)	—	—
2	N/A	Reserved	(Reserved)	—	—
1	N/A	Reserved	(Reserved)	—	—
0	N/A	Reserved	(Reserved)	—	—

**Note:**

At power up all SDRAM outputs are enabled and active. Program all reserved bits to a"0".

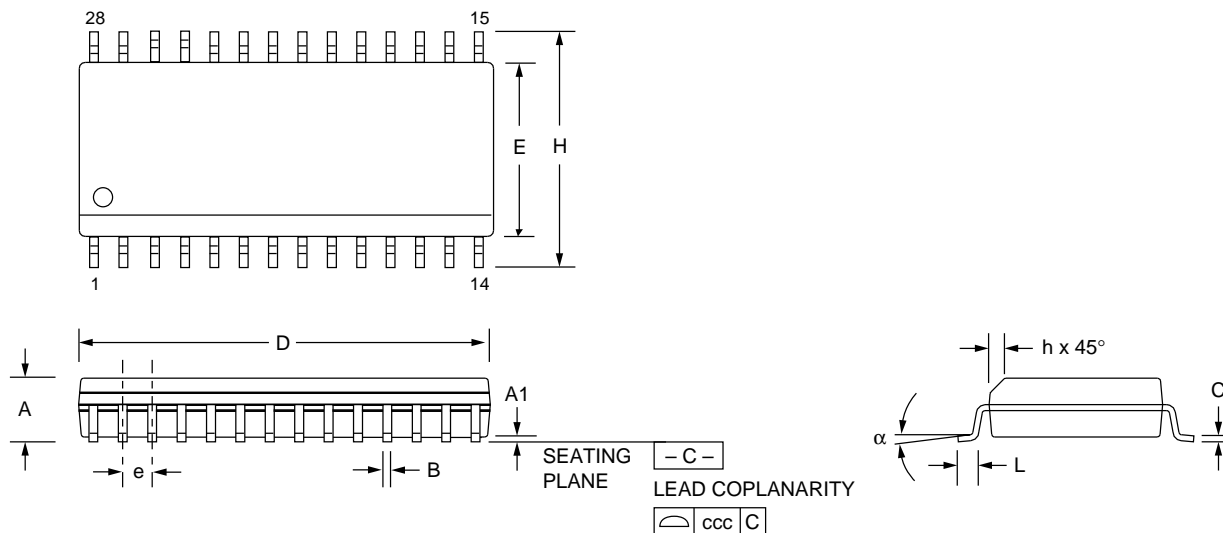
# Mechanical Dimensions

## 28 pin SOIC

Symbol	Inches		Millimeters		Notes
	Min.	Max.	Min.	Max.	
A	.093	.104	2.35	2.65	
A1	.004	.012	0.10	0.30	
B	.013	.020	0.33	0.51	
C	.009	.013	0.23	0.32	
D	.697	.713	17.70	18.10	2
E	.291	.299	7.40	7.60	2
e	.050 BSC		1.27 BSC		
H	.394	.419	10.00	10.65	
h	.010	.030	0.25	0.75	
L	.016	.050	0.40	1.27	
N	28		28		5
$\alpha$	0°	7°	0°	7°	
ccc	—	.004	—	0.10	

**Notes:**

1. Dimensioning and tolerancing per ANSI Y14.5M-1982.
2. "D" and "E" do not include mold flash. Mold flash or protrusions shall not exceed .010 inch (0.25mm).
3. "L" is the length of terminal for soldering to a substrate.
4. Terminal numbers are shown for reference only.
5. Symbol "N" is the maximum number of terminals.



**Advanced Information**

## Ordering Information

Product Number	Temperature	Screening	Package	Package Marking
RC7105	0°C to +70°C		28 SOIC	RC7105

# Advanced Information

### DISCLAIMER

FAIRCHILD SEMICONDUCTOR RESERVES THE RIGHT TO MAKE CHANGES WITHOUT FURTHER NOTICE TO ANY PRODUCTS HEREIN TO IMPROVE RELIABILITY, FUNCTION OR DESIGN. FAIRCHILD DOES NOT ASSUME ANY LIABILITY ARISING OUT OF THE APPLICATION OR USE OF ANY PRODUCT OR CIRCUIT DESCRIBED HEREIN; NEITHER DOES IT CONVEY ANY LICENSE UNDER ITS PATENT RIGHTS, NOR THE RIGHTS OF OTHERS.

### LIFE SUPPORT POLICY

FAIRCHILD'S PRODUCTS ARE NOT AUTHORIZED FOR USE AS CRITICAL COMPONENTS IN LIFE SUPPORT DEVICES OR SYSTEMS WITHOUT THE EXPRESS WRITTEN APPROVAL OF THE PRESIDENT OF FAIRCHILD SEMICONDUCTOR CORPORATION. As used herein:

1. Life support devices or systems are devices or systems which, (a) are intended for surgical implant into the body, or (b) support or sustain life, or (c) whose failure to perform when properly used in accordance with instructions for use provided in the labeling, can be reasonably expected to result in significant injury to the user.
2. A critical component is any component of a life support device or system whose failure to perform can be reasonably expected to cause the failure of the life support device or system, or to affect its safety or effectiveness.