

RCB006-K

5 Bit Voltage Regulator Module (VRM) for Pentium® Pro and Pentium II Processors For 12V Input Voltage

Features

- Programmable 1.3V to 3.5V output
- Output current to 15A
- 5-bit digital input selects output voltage
- Current limiting short-circuit protection
- Power Good output
- Output Enable function
- Excellent transient response
- Meets Intel VRM specifications

Applications

- Pentium Pro VRM
- Pentium II (Klamath type) VRM

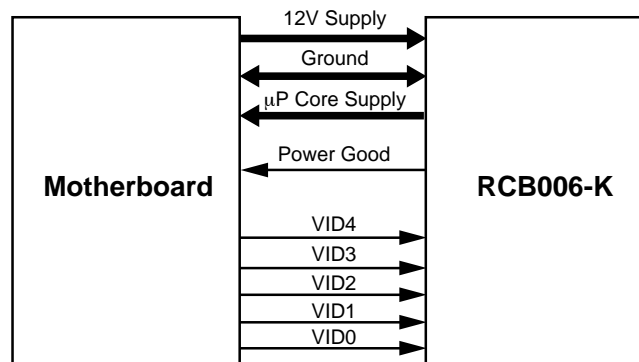
Description

The RCB006-K is a programmable DC-DC VRM designed to deliver the selectable processor core voltage required by Pentium Pro and Pentium II (Klamath type) processors. This VRM converts the +12V power supply voltage to the voltage required by the CPU core.

By taking advantage of Fairchild's RC5051 programmable DC-DC controller IC, the RCB006-K utilizes a synchronous architecture for maximum efficiency. In addition, this VRM integrates a 5-bit DAC function, Power Good, and Output Enable features. The result is a VRM with a minimum number of components that achieves high reliability at a competitive cost.

The RCB006-K provides an extremely well regulated selectable output voltage from 1.3V to 3.5V. Voltage selection is accomplished through a 5-bit digital input. The Power Good output provides a logic LOW when an out-of-tolerance voltage is detected at the VRM output. Other features include high efficiency, short-circuit and over-voltage protection, output enable, and low package weight. The RCB006-K has been designed as a point-of-load converter for Pentium II and Pentium Pro processors, minimizing the distribution losses normally occurring when drawing high currents from a centralized power supply.

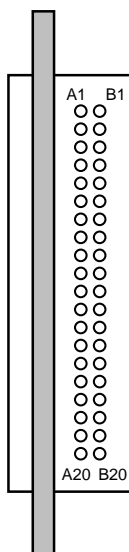
Block Diagram



65-RCB006-1

Pin Orientation — Top View

(Socket: AMPMOD2 532956-7 or equivalent)



65-RCB005-2

Table 1. RCB006-K Pin Definitions

| Pin # | Row A | Row B |
|-------|-----------------|-----------------|
| 1 | 5Vin | 5Vin |
| 2 | 5Vin | 5Vin |
| 3 | 5Vin | 5Vin |
| 4 | 12Vin | 12Vin |
| 5 | 12Vin | NC ¹ |
| 6 | NC ¹ | OUTEN |
| 7 | VID0 | VID1 |
| 8 | VID2 | VID3 |
| 9 | VID4 | PWRGD |
| 10 | VCCCORE | Vss |
| 11 | Vss | VCCCORE |
| 12 | VCCCORE | Vss |
| 13 | Vss | VCCCORE |
| 14 | VCCCORE | Vss |
| 15 | Vss | VCCCORE |
| 16 | VCCCORE | Vss |
| 17 | Vss | VCCCORE |
| 18 | VCCCORE | Vss |
| 19 | Vss | VCCCORE |
| 20 | VCCCORE | Vss |

Note:

1. Not used on module; no current is drawn.

VRM Connector Pin Reference

| Pin Description | Input/Output | Function |
|--|--------------|--|
| 12Vin | I | Primary module supply voltage. |
| 5Vin | I | IC bias supply voltage. |
| OUTEN (Output Enable) Open collector TTL input. | I | If OUTEN = HIGH (floating), output enabled. If OUTEN = LOW, output disabled and PWRGD output LOW. |
| VID0 to VID4 (Voltage Identification Code) Open collector TTL inputs. | I | These five signals are used to indicate the voltage required by the processor. See Table 2. |
| PWRGD (Power Good) Open collector TTL output. | O | If PWRGD = HIGH, output voltage within specifications. If PWRGD = LOW, output voltage not within $\pm 10\%$ of nominal. The PWRGD output will change to the proper state within 5ms of the output coming into or going out of its specified range. |
| VCCCORE | O | Processor core voltage. |
| Vss | I, O | Ground. |

Table 2. Output Voltage vs. Voltage Identification CodeNote:

| VID4 | VID3 | VID2 | VID1 | VID0 | Nominal Voltage to CPU (V _{CCORE}) |
|------|------|------|------|------|--|
| 0 | 1 | 1 | 1 | 1 | 1.30V |
| 0 | 1 | 1 | 1 | 0 | 1.35V |
| 0 | 1 | 1 | 0 | 1 | 1.40V |
| 0 | 1 | 1 | 0 | 0 | 1.45V |
| 0 | 1 | 0 | 1 | 1 | 1.50V |
| 0 | 1 | 0 | 1 | 0 | 1.55V |
| 0 | 1 | 0 | 0 | 1 | 1.60V |
| 0 | 1 | 0 | 0 | 0 | 1.65V |
| 0 | 0 | 1 | 1 | 1 | 1.70V |
| 0 | 0 | 1 | 1 | 0 | 1.75V |
| 0 | 0 | 1 | 0 | 1 | 1.80V |
| 0 | 0 | 1 | 0 | 0 | 1.85V |
| 0 | 0 | 0 | 1 | 1 | 1.90V |
| 0 | 0 | 0 | 1 | 0 | 1.95V |
| 0 | 0 | 0 | 0 | 1 | 2.00V |
| 0 | 0 | 0 | 0 | 0 | 2.05V |

| VID4 | VID3 | VID2 | VID1 | VID0 | Nominal Voltage to CPU (V _{CCORE}) |
|------|------|------|------|------|--|
| 1 | 1 | 1 | 1 | 1 | 2.0V |
| 1 | 1 | 1 | 1 | 0 | 2.1V |
| 1 | 1 | 1 | 0 | 1 | 2.2V |
| 1 | 1 | 1 | 0 | 0 | 2.3V |
| 1 | 1 | 0 | 1 | 1 | 2.4V |
| 1 | 1 | 0 | 1 | 0 | 2.5V |
| 1 | 1 | 0 | 0 | 1 | 2.6V |
| 1 | 1 | 0 | 0 | 0 | 2.7V |
| 1 | 0 | 1 | 1 | 1 | 2.8V |
| 1 | 0 | 1 | 1 | 0 | 2.9V |
| 1 | 0 | 1 | 0 | 1 | 3.0V |
| 1 | 0 | 1 | 0 | 0 | 3.1V |
| 1 | 0 | 0 | 1 | 1 | 3.2V |
| 1 | 0 | 0 | 1 | 0 | 3.3V |
| 1 | 0 | 0 | 0 | 1 | 3.4V |
| 1 | 0 | 0 | 0 | 0 | 3.5V |

Note:

- "0" indicates processor pin is tied to 0V (V_{SS})
 "1" indicates it is tied to 5V or is open.

Electrical Specifications

5Vin = +5V, 12Vin = +12V, TA = 0°C to 60°C, VCCORE = 2.8V, and airflow of 100LFM, unless otherwise specified.

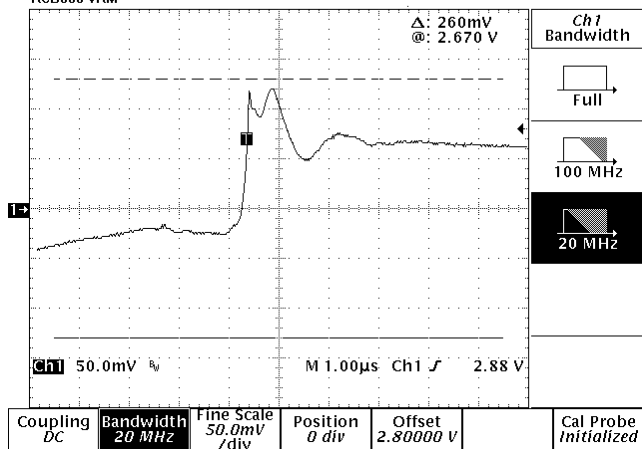
| Parameter | | Test Conditions | Min. | Typ. | Max. | Units |
|-------------------------------|-----------------------------|--------------------------------------|------|------|------|-------|
| Input Specifications | | | | | | |
| Primary Module Supply, 12Vin | | | 11.4 | 12.0 | 12.6 | V |
| IC Bias Supply, 5Vin | | | 4.75 | 5.0 | 5.25 | V |
| Output Specifications | | | | | | |
| Output Voltage Range, VCCORE | | See Table 2 | 1.3 | | 3.5 | V |
| Output Voltage Regulation | Steady State ^{1,2} | VCCORE = 2.8V, ICCORE, Max = 14.2A | 2.74 | 2.80 | 2.90 | V |
| | Transient ^{1,3} | VCCORE = 2.8V, ICCORE = 1.0 to 14.2A | 2.67 | 2.80 | 2.93 | |
| Output Current, ICCORE | | | 0.3 | | 15 | A |
| Initial Voltage Setpoint | | ICCORE = 6A, TA = 25°C | | ±20 | | mV |
| Load Regulation | | ICCORE = 0.8A to 14.2A | | -40 | | mV |
| Line Regulation | | 5Vin = 4.75V to 5.25V | | ±2 | | mV |
| Output Ripple | | 20MHz BW, ICCORE = 14.2A | | 20 | | mVp-p |
| Output Temperature Drift | | | | +10 | | mV |
| Efficiency | | ICCORE = 0.5A | 40 | 65 | | % |
| | | ICCORE = 14.2A | 80 | 82 | | |
| Turn-on Response Time | | | | | 10 | ms |
| General Specifications | | | | | | |
| Switching Frequency | | | | 120 | | kHz |
| Short Circuit Protection | | | | 18 | | A |

Notes:

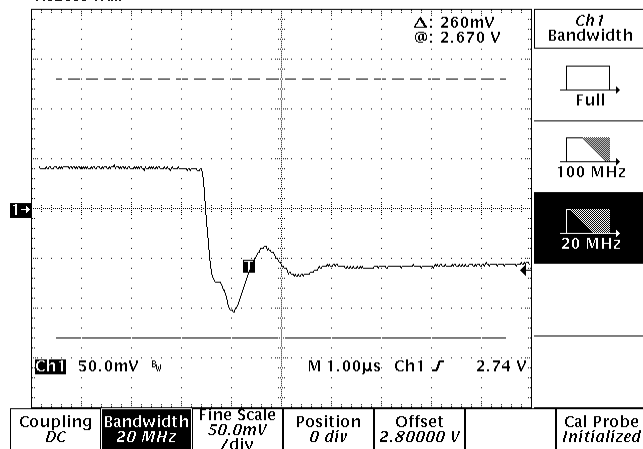
1. The voltage tolerance is measured at the DC-DC converter Header Output on the motherboard.
2. The Steady State Voltage Regulation includes Initial Voltage Setpoint, DC load regulation, Output Ripple and temperature drift, measured with a digital voltmeter with 1mV resolution. ICCORE, MIN = 0.1A unless otherwise specified.
3. The output voltage is measured using the Intel provided EMT Tester (Rev. 1.0). It is assumed that a minimum of 20 x 0.1µF ceramic capacitors are placed directly next to the CPU to provide adequate high-speed decoupling. Additional bulk capacitors may be required as close as possible to the CPU socket on the motherboard when using the VRM. See Application Bulletin AB 5 for details.

Transient Plots

Transient Plot, Vout=2.8V, Iload=14.2A to 0.8A
RCB006 VRM

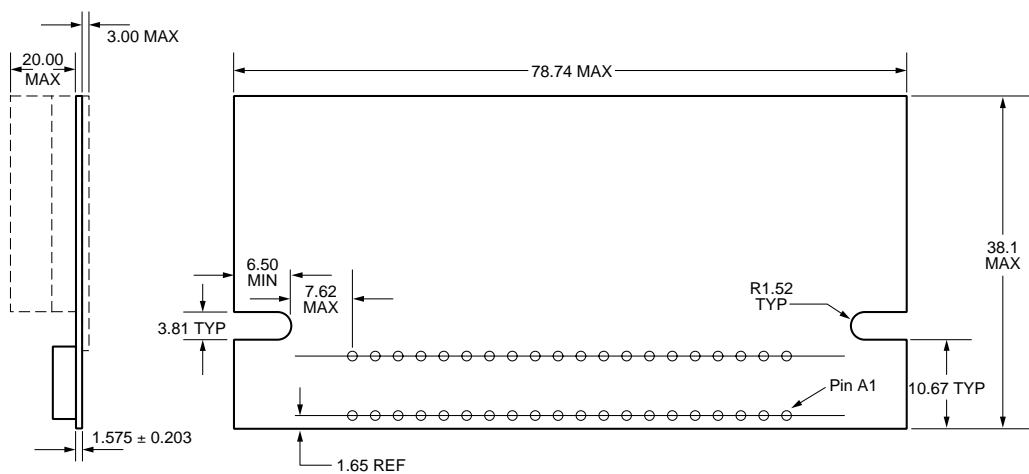


Transient Plot, Vout = 2.8V, Iload = 0.8A to 14.2A
RCB006 VRM



Notes:

Mechanical Dimensions (mm)



Ordering Information

| Part Number | Input | Output Current |
|-------------|--------|----------------|
| RCB006-K | 12V DC | 15A |

LIFE SUPPORT POLICY

FAIRCHILD'S PRODUCTS ARE NOT AUTHORIZED FOR USE AS CRITICAL COMPONENTS IN LIFE SUPPORT DEVICES OR SYSTEMS WITHOUT THE EXPRESS WRITTEN APPROVAL OF THE PRESIDENT OF FAIRCHILD SEMICONDUCTOR CORPORATION. As used herein:

1. Life support devices or systems are devices or systems which, (a) are intended for surgical implant into the body, or (b) support or sustain life, and (c) whose failure to perform when properly used in accordance with instructions for use provided in the labeling, can be reasonably expected to result in a significant injury of the user.
2. A critical component in any component of a life support device or system whose failure to perform can be reasonably expected to cause the failure of the life support device or system, or to affect its safety or effectiveness.