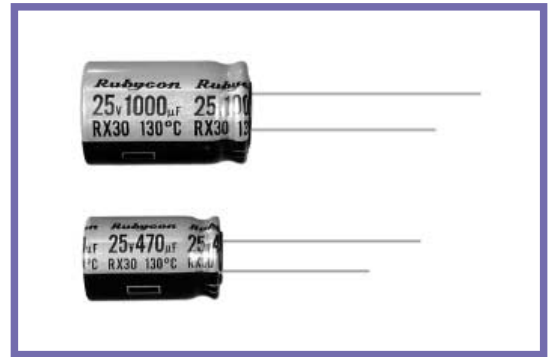


RX30 SERIES
UPGRADE
130°C Long Life, Low impedance.
◆ FEATURES

- Load Life : 130°C 2000~4000hours.
- Low impedance at 100kHz with selected materials.
- Solution for high temperature application such as automobile electronics.


◆ SPECIFICATIONS

Items	Characteristics																								
Category Temperature Range	-40~+130°C																								
Rated Voltage Range	10~100V.DC																								
Capacitance Tolerance	±20%(20°C,120Hz)																								
Leakage Current(MAX)	I=0.01CV or 3µA whichever is greater. (After 2 minutes application of rated voltage) I=Leakage Current(µA) C=Rated Capacitance(µF) V=Rated Voltage(V)																								
Dissipation Factor(MAX)	<table border="1"> <thead> <tr> <th>Rated Voltage (V)</th> <th>10</th> <th>16</th> <th>25</th> <th>35</th> <th>50</th> <th>63</th> <th>100</th> </tr> </thead> <tbody> <tr> <td>tan δ</td> <td>0.20</td> <td>0.16</td> <td>0.14</td> <td>0.12</td> <td>0.10</td> <td>0.09</td> <td>0.08</td> </tr> </tbody> </table> (20°C,120Hz) When rated capacitance is over 1000µF, tan δ shall be added 0.02 to the listed value with increase of every 1000µF.	Rated Voltage (V)	10	16	25	35	50	63	100	tan δ	0.20	0.16	0.14	0.12	0.10	0.09	0.08								
Rated Voltage (V)	10	16	25	35	50	63	100																		
tan δ	0.20	0.16	0.14	0.12	0.10	0.09	0.08																		
Endurance	After life test with rated ripple current at conditions stated in the table below, the capacitors shall meet the following requirements. <table border="1"> <thead> <tr> <th>Capacitance Change</th> <th>Within ±30% of the initial value.</th> <th>Case Dia</th> <th>Life Time (hrs)</th> </tr> </thead> <tbody> <tr> <td>Dissipation Factor</td> <td>Not more than 300% of the specified value.</td> <td>øD≤10</td> <td>2000</td> </tr> <tr> <td>Leakage Current</td> <td>Not more than the specified value.</td> <td>øD≥12.5</td> <td>4000</td> </tr> </tbody> </table>	Capacitance Change	Within ±30% of the initial value.	Case Dia	Life Time (hrs)	Dissipation Factor	Not more than 300% of the specified value.	øD≤10	2000	Leakage Current	Not more than the specified value.	øD≥12.5	4000												
Capacitance Change	Within ±30% of the initial value.	Case Dia	Life Time (hrs)																						
Dissipation Factor	Not more than 300% of the specified value.	øD≤10	2000																						
Leakage Current	Not more than the specified value.	øD≥12.5	4000																						
Low Temperature Stability Impedance Ratio(MAX)	<table border="1"> <thead> <tr> <th>Rated Voltage (V)</th> <th>10</th> <th>16</th> <th>25</th> <th>35</th> <th>50</th> <th>63</th> <th>100</th> </tr> </thead> <tbody> <tr> <td>Z(-25°C)/Z(20°C)</td> <td>3</td> <td>2</td> <td>2</td> <td>2</td> <td>2</td> <td>2</td> <td>2</td> </tr> <tr> <td>Z(-40°C)/Z(20°C)</td> <td>6</td> <td>4</td> <td>3</td> <td>3</td> <td>3</td> <td>3</td> <td>3</td> </tr> </tbody> </table> (120Hz)	Rated Voltage (V)	10	16	25	35	50	63	100	Z(-25°C)/Z(20°C)	3	2	2	2	2	2	2	Z(-40°C)/Z(20°C)	6	4	3	3	3	3	3
Rated Voltage (V)	10	16	25	35	50	63	100																		
Z(-25°C)/Z(20°C)	3	2	2	2	2	2	2																		
Z(-40°C)/Z(20°C)	6	4	3	3	3	3	3																		

◆ MULTIPLIER FOR RIPPLE CURRENT

(1)Frequency coefficient

Frequency (Hz)	60(50)	120	1k	10k	100k≤
1~4.7µF	0.35	0.42	0.60	0.80	1.00
10~33µF	0.45	0.55	0.75	0.90	1.00
47~330µF	0.60	0.70	0.85	0.95	1.00
470~1000µF	0.65	0.75	0.90	0.98	1.00
2200~4700µF	0.75	0.80	0.95	1.00	1.00

(2)Temperature coefficient

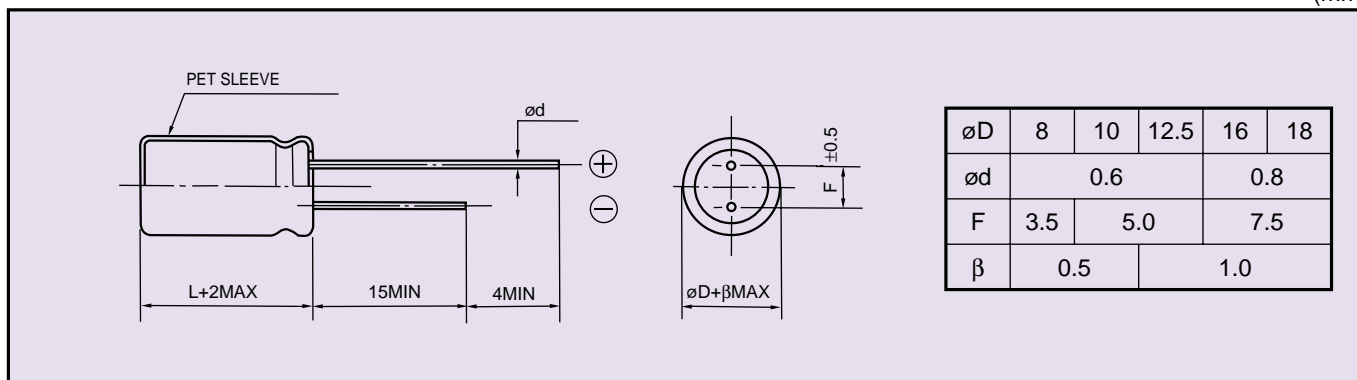
Ambient Temperature (°C)	130	105	85≥
Coefficient	1.0	1.8	2.1

◆ PART NUMBER

□□□	RX30	□□□□□	□	□□□	□□	D×L
Rated Voltage	Series	Rated Capacitance	Capacitance Tolerance	Option	Lead Forming	Case Size

◆ DIMENSIONS

(mm)


◆ STANDARD SIZE

Rated voltage 10V(1A)			
Rated capacitance (μF)	Size øD×L (mm)	Rated ripple current (mA r.m.s./130°C, 100kHz)	Impedance(ΩMAX)
			20°C, 100kHz
330	8×11.5	360	0.22
470	10×12.5	620	0.15
1000	10×20	960	0.073
2200	12.5×25	1430	0.040
3300	16×25	1900	0.038
4700	16×31.5	2300	0.034

Rated voltage 16V(1C)			
Rated capacitance (μF)	Size øD×L (mm)	Rated ripple current (mA r.m.s./130°C, 100kHz)	Impedance(ΩMAX)
			20°C, 100kHz
330	8×11.5	360	0.22
470	10×12.5	620	0.15
1000	10×20	960	0.073
2200	12.5×25	1430	0.040
3300	16×31.5	2300	0.034
4700	16×35.5	2550	0.031

Rated voltage 25V(1E)			
Rated capacitance (μF)	Size øD×L (mm)	Rated ripple current (mA r.m.s./130°C, 100kHz)	Impedance(ΩMAX)
			20°C, 100kHz
220	8×11.5	360	0.22
330	10×12.5	620	0.15
470	10×16	800	0.10
1000	12.5×20	1100	0.055
2200	16×31.5	2300	0.034
3300	16×35.5	2550	0.031

Rated voltage 35V(1V)			
Rated capacitance (μ F)	Size ϕ D×L (mm)	Rated ripple current (mA r.m.s./130°C, 100kHz)	Impedance(Ω MAX)
			20°C, 100kHz
100	8×11.5	360	0.22
220	10×12.5	620	0.15
330	10×16	800	0.10
470	10×20	960	0.073
1000	12.5×25	1430	0.040
2200	16×35.5	2550	0.031
3300	18×35.5	2800	0.028

Rated voltage 50V(1H)			
Rated capacitance (μ F)	Size ϕ D×L (mm)	Rated ripple current (mA r.m.s./130°C, 100kHz)	Impedance(Ω MAX)
			20°C, 100kHz
1	8×11.5	35	2.5
2.2	8×11.5	50	1.8
3.3	8×11.5	70	1.3
4.7	8×11.5	100	0.85
10	8×11.5	200	0.60
22	8×11.5	260	0.35
33	8×11.5	300	0.28
47	8×11.5	300	0.28
100	10×12.5	520	0.18
220	10×20	890	0.082
330	12.5×20	1000	0.065
470	12.5×25	1200	0.051
1000	16×31.5	2180	0.037
2200	18×40	2800	0.029

Rated voltage 63V(1J)			
Rated capacitance (μ F)	Size ϕ D×L (mm)	Rated ripple current (mA r.m.s./130°C, 100kHz)	Impedance(Ω MAX)
			20°C, 100kHz
33	8×11.5	250	0.40
47	10×12.5	400	0.27
100	10×16	450	0.20
220	12.5×20	820	0.10
330	12.5×25	1000	0.072
470	16×25	1500	0.069
1000	16×31.5	1850	0.056
1500	18×40	2350	0.043



MINIATURE ALUMINUM ELECTROLYTIC CAPACITORS

RX30

Rated voltage 100V(2A)			
Rated capacitance (μ F)	Size ϕ D×L (mm)	Rated ripple current (mA r.m.s./130°C, 100kHz)	Impedance(Ω MAX)
			20°C, 100kHz
4.7	8×11.5	100	1.3
10	8×11.5	200	1.0
22	8×11.5	220	0.67
33	10×12.5	260	0.45
47	10×16	330	0.33
100	12.5×20	670	0.17
220	16×25	1100	0.13
330	16×31.5	1300	0.10
470	18×31.5	1600	0.092