

# SHINDENGEN

## Super Fast Recovery Rectifiers

Single

# S16L60

## 600V 16A

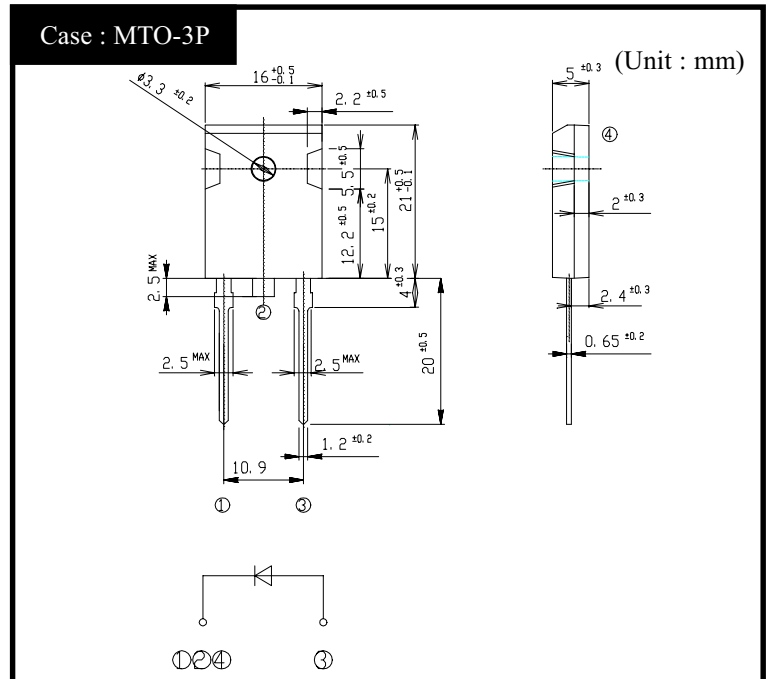
### FEATURES

- High Voltage
- trr100ns
- Small  $\theta_{jc}$

### APPLICATION

- PFC
- Switching power supply
- Free Wheel
- Home Appliances, Office Equipment, Factory Automation

### OUTLINE DIMENSIONS



### RATINGS

#### ● Absolute Maximum Ratings (If not specified $T_c=25^\circ\text{C}$ )

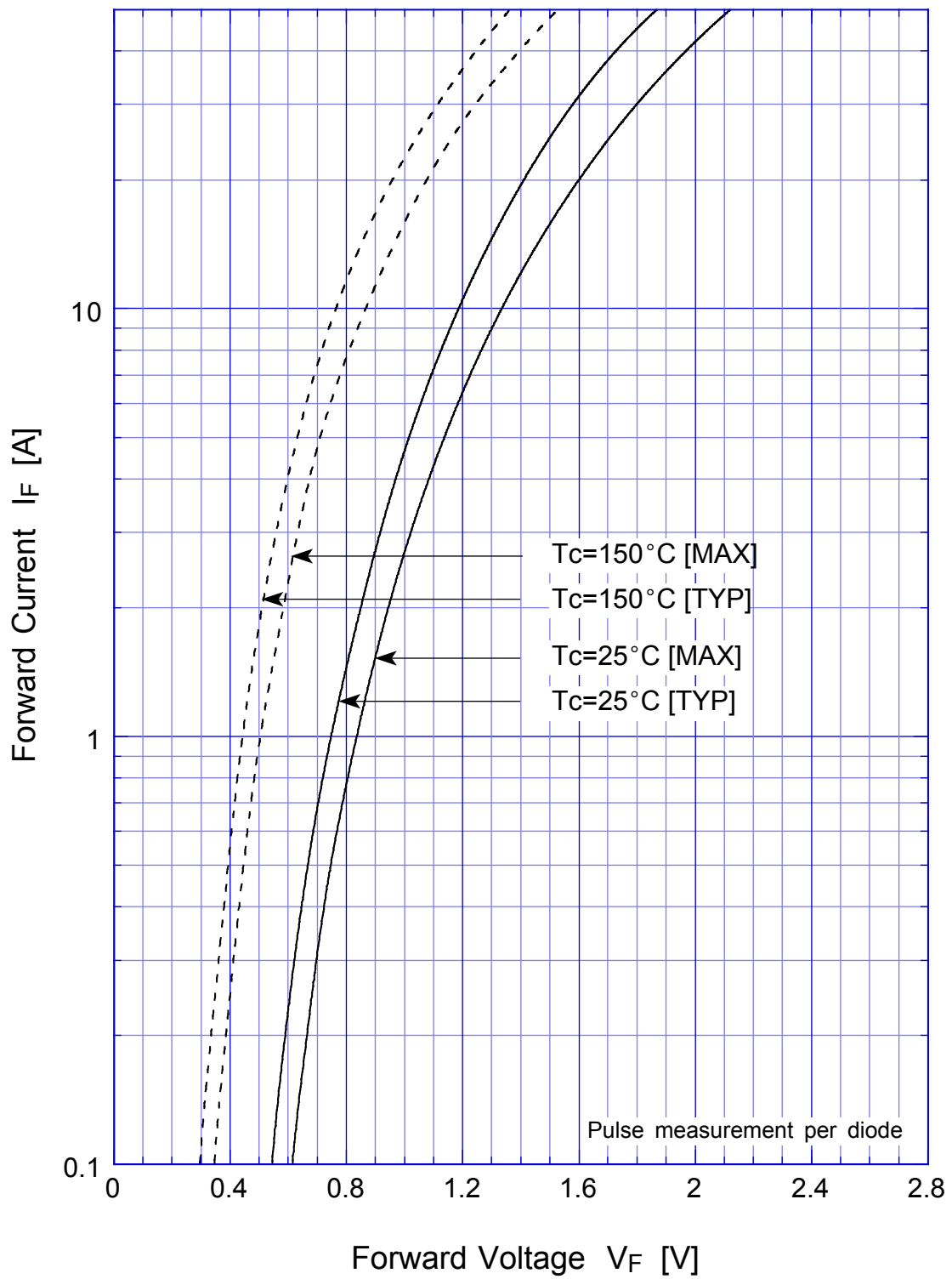
Item	Symbol	Conditions	Ratings	Unit
Storage Temperature	$T_{stg}$		-55~150	$^\circ\text{C}$
Operating Junction Temperature	$T_j$		150	$^\circ\text{C}$
Maximum Reverse Voltage	$V_{RM}$		600	V
Average Rectified Forward Current	$I_O$	50Hz sine wave, R-load, $T_c=122^\circ\text{C}$	16	A
Peak Surge Forward Current	$I_{FSM}$	50Hz sine wave, Non-repetitive 1 cycle peak value, $T_j=25^\circ\text{C}$	300	A
Mounting Torque	TOR	(Recommended torque:0.5N·m)	0.8	N·m

#### ● Electrical Characteristics (If not specified $T_c=25^\circ\text{C}$ )

Item	Symbol	Conditions	Ratings	Unit
Forward Voltage	$V_F$	$I_F=16\text{A}$ , Pulse measurement	Max.1.5	V
Reverse Current	$I_R$	$V_R=V_{RM}$ , Pulse measurement	Max.25	$\mu\text{A}$
Reverse Recovery Time	trr	$I_F=0.5\text{A}$ , $I_R=1\text{A}$	Max.100	ns
Thermal Resistance	$\theta_{jc}$	junction to case	Max.1.1	$^\circ\text{C}/\text{W}$

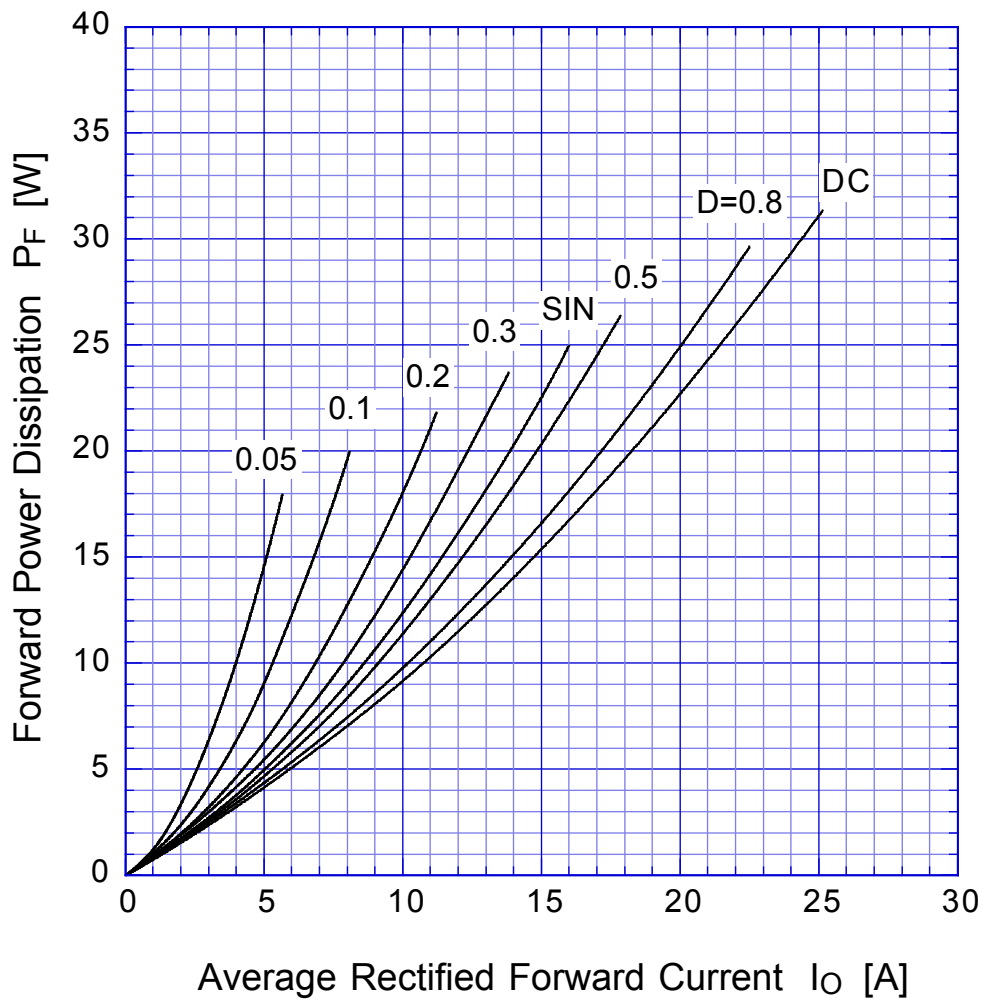
# S16L60

## Forward Voltage

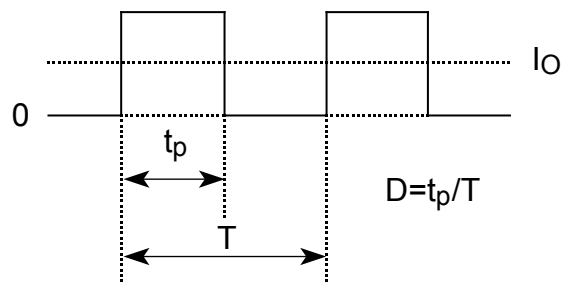


# S16L60

## Forward Power Dissipation

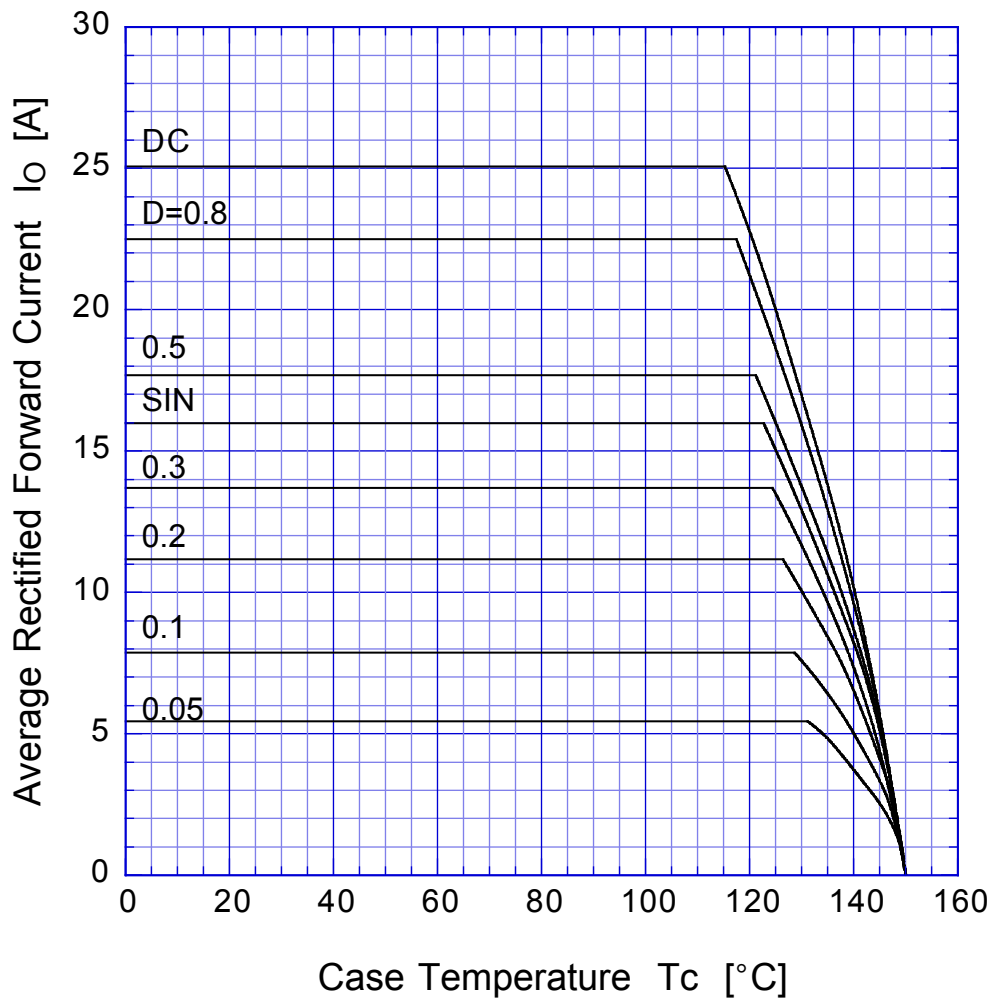


$T_j = T_{jmax}$



# S16L60

# Derating Curve

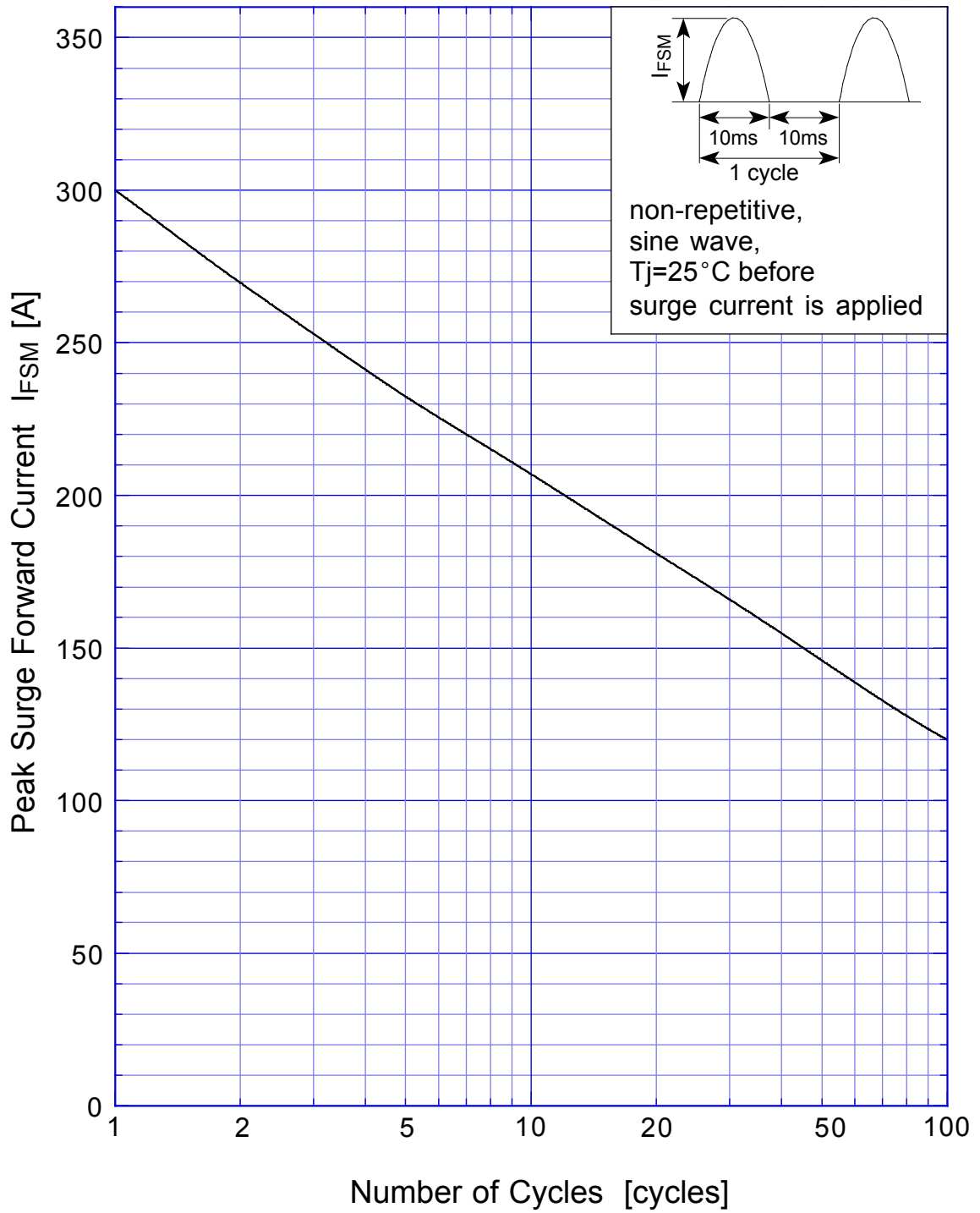


$$V_R = V_{RM}$$



# S16L60

## Peak Surge Forward Capability



# S16L60 Junction Capacitance

