

**HIGH-PRECISION SMALL-PACKAGE  
VOLTAGE DETECTOR**

**S-808xxC Series**

The S-808xxC series is a series of high-precision voltage detectors developed using CMOS process. The detection voltage is fixed internally with an accuracy of  $\pm 2.0\%$ . Two output forms, Nch open-drain and CMOS output, are available. Ultra-low current consumption and miniature package lineup can meet demand from the portable device applications.

■ **Features**

- Ultra-low current consumption  
0.8  $\mu$ A typ. (at  $V_{DD}=3.5$  V)
- High-precision detection voltage  
 $\pm 2.0\%$
- Hysteresis width  
5 % typ.
- Operating voltage range  
0.95V to 10.0 V
- Detection voltage  
1.5 V to 6.0 V (0.1V step)
- Output form  
Active low Nch open-drain output or active low CMOS output

■ **Applications**

- Power monitor for portable equipment such as note book computers, digital cameras, PDA, and cellular phones.
- Constant voltage power monitor for cameras, video equipment and communication devices.
- Power monitor for microcomputers and reset for CPUs.
- Battery checker
- Detection of power failure

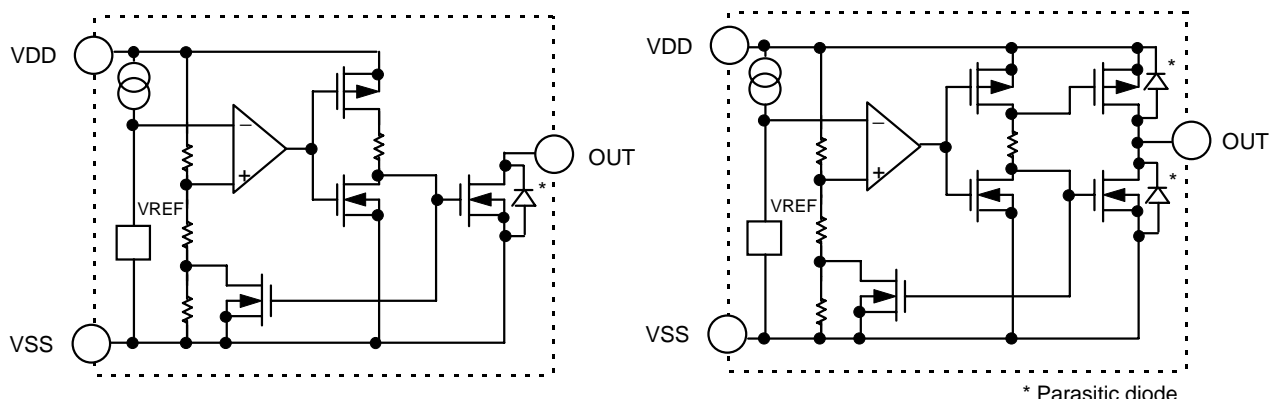
■ **Packages**

- |                |                                 |
|----------------|---------------------------------|
| 3-pin SOT-89-3 | (Package drawing code: UP003-A) |
| 3-pin TO-92    | (Package drawing code: YF003-A) |
| 4-pin SC-82AB  | (Package drawing code: NP004-A) |
| 4-pin SNB(B)   | (Package drawing code: BB004-A) |
| 5-pin SOT-23-5 | (Package drawing code: MP005-A) |

■ **Block Diagrams**

(1) Active low Nch open-drain output

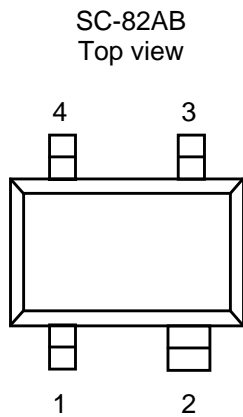
(2) Active low CMOS output



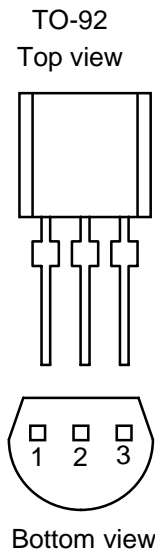
**Figure 1 Block Diagram**

■ **Pin Configuration**

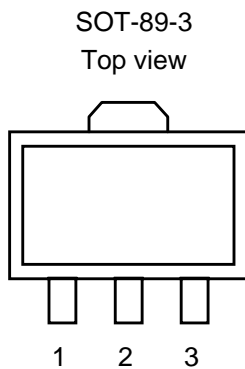
See the attached drawings for details of the package.



**Figure 2 Pin Configuration**



**Figure 3 Pin Configuration**



**Figure 4 Pin Configuration**

**Table 1 Pin Description**

No.	Symbol	Description
1	OUT	Voltage detection output pin
2	VDD	Voltage input pin
3	N.C. (1)	non-connected
4	VSS	Ground pin

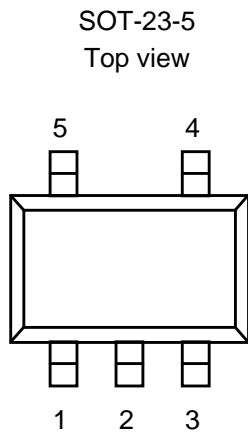
(1) N.C. pin is electrically open.  
 Connecting this pin to VDD or VSS is allowed.

**Table 2 Pin Description**

No.	Symbol	Description
1	OUT	Voltage detection output pin
2	VDD	Voltage input pin
3	VSS	Ground pin

**Table 3 Pin Description**

No.	Symbol	Description
1	OUT	Voltage detection output pin
2	VDD	Voltage input pin
3	VSS	Ground pin

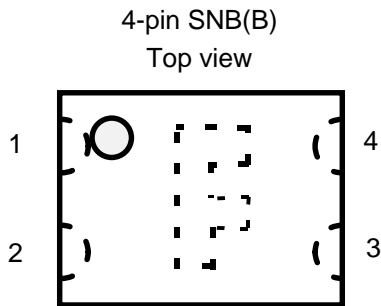


**Figure 5 Pin Configuration**

**Table 4 Pin Description**

No.	Symbol	Description
1	OUT	Voltage detection output pin
2	VDD	Voltage input pin
3	VSS	Ground pin
4	N.C. (1)	non-connected
5	N.C. (1)	non-connected

(1) N.C. pin is electrically open.  
 Connecting this pin to VDD or VSS is allowed.



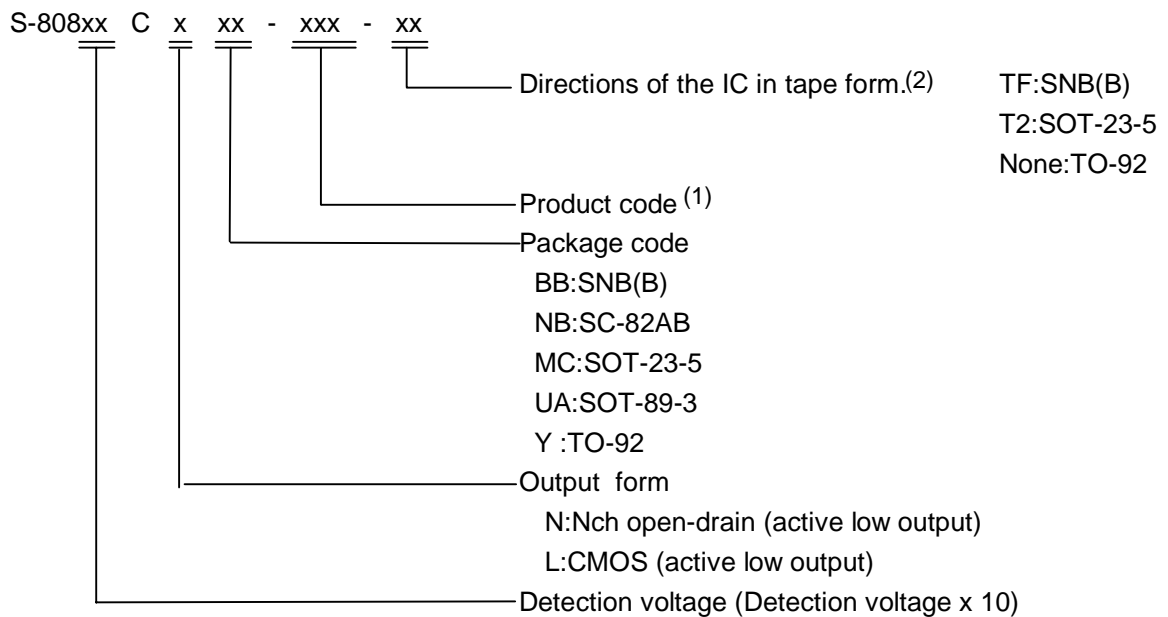
**Figure 6 Pin Configuration**

**Table 5 Pin Description**

No.	Symbol	Description
1	OUT	Voltage detection output pin
2	VSS	Ground pin
3	N.C. (1)	non-connected
4	VDD	Voltage input pin

(1) N.C. pin is electrically open.  
 Connecting this pin to VDD or VSS is allowed.

■ **Selection Guide**



(1):Please refer table 6 and 7 for product code.

(2) Please refer taping drawings at the end this book for directions of this IC in tape form.

**Table 6 Selection Guide**

(1/2)

Detection voltage range	Hysteresis (typ.)	Nch Open-drain (Active low)				
		SC-82AB	TO-92*	SOT-89-3	SOT-23-5	SNB(B)
1.5 V± 2.0%	0.075V	S-80815CNNB-B8A-T2	S-80815CNY-X	S-80815CNUA-B8A-T2	—	—
1.6 V± 2.0%	0.080V	S-80816CNNB-B8B-T2	S-80816CNY-X	S-80816CNUA-B8B-T2	—	—
1.7 V± 2.0%	0.085V	S-80817CNNB-B8C-T2	S-80817CNY-X	S-80817CNUA-B8C-T2	S-80817CNMC-B8C-T2	—
1.8 V± 2.0%	0.090V	S-80818CNNB-B8D-T2	S-80818CNY-X	S-80818CNUA-B8D-T2	S-80818CNMC-B8D-T2	—
1.9 V± 2.0%	0.095V	S-80819CNNB-B8E-T2	S-80819CNY-X	S-80819CNUA-B8E-T2	S-80819CNMC-B8E-T2	—
2.0 V± 2.0%	0.100V	S-80820CNNB-B8F-T2	S-80820CNY-X	S-80820CNUA-B8F-T2	S-80820CNMC-B8F-T2	—
2.1 V± 2.0%	0.105V	S-80821CNNB-B8G-T2	S-80821CNY-X	S-80821CNUA-B8G-T2	S-80821CNMC-B8G-T2	—
2.2 V± 2.0%	0.110V	S-80822CNNB-B8H-T2	S-80822CNY-X	S-80822CNUA-B8H-T2	S-80822CNMC-B8H-T2	—
2.3 V± 2.0%	0.115V	S-80823CNNB-B8I-T2	S-80823CNY-X	S-80823CNUA-B8I-T2	S-80823CNMC-B8I-T2	—
2.4 V± 2.0%	0.120V	S-80824CNNB-B8J-T2	S-80824CNY-X	S-80824CNUA-B8J-T2	S-80824CNMC-B8J-T2	—
2.4 V typ.	4.4±0.1V	—	S-80824KNY-X	S-80824KNUA-D2B-T2	—	—
2.5 V± 2.0%	0.125V	S-80825CNNB-B8K-T2	S-80825CNY-X	S-80825CNUA-B8K-T2	S-80825CNMC-B8K-T2	—
2.6 V± 2.0%	0.130V	S-80826CNNB-B8L-T2	S-80826CNY-X	S-80826CNUA-B8L-T2	—	—
2.7 V± 2.0%	0.135V	S-80827CNNB-B8M-T2	S-80827CNY-X	S-80827CNUA-B8M-T2	S-80827CNMC-B8M-T2	S-80827CNBB-B8M-TF
2.8 V± 2.0%	0.140V	S-80828CNNB-B8N-T2	S-80828CNY-X	S-80828CNUA-B8N-T2	S-80828CNMC-B8N-T2	—
2.9 V± 2.0%	0.145V	S-80829CNNB-B8O-T2	S-80829CNY-X	S-80829CNUA-B8O-T2	—	—
3.0 V± 2.0%	0.150V	S-80830CNNB-B8P-T2	S-80830CNY-X	S-80830CNUA-B8P-T2	S-80830CNMC-B8P-T2	—
3.1 V± 2.0%	0.155V	S-80831CNNB-B8Q-T2	S-80831CNY-X	S-80831CNUA-B8Q-T2	—	—
3.2 V± 2.0%	0.160V	S-80832CNNB-B8R-T2	S-80832CNY-X	S-80832CNUA-B8R-T2	S-80832CNMC-B8R-T2	—
3.3 V± 2.0%	0.165V	S-80833CNNB-B8S-T2	S-80833CNY-X	S-80833CNUA-B8S-T2	S-80833CNMC-B8S-T2	—
3.4 V± 2.0%	0.170V	S-80834CNNB-B8T-T2	S-80834CNY-X	S-80834CNUA-B8T-T2	S-80834CNMC-B8T-T2	—
3.5 V± 2.0%	0.175V	S-80835CNNB-B8U-T2	S-80835CNY-X	S-80835CNUA-B8U-T2	S-80835CNMC-B8U-T2	—
3.6 V± 2.0%	0.180V	S-80836CNNB-B8V-T2	S-80836CNY-X	S-80836CNUA-B8V-T2	S-80836CNMC-B8V-T2	—
3.7 V± 2.0%	0.185V	S-80837CNNB-B8W-T2	S-80837CNY-X	S-80837CNUA-B8W-T2	—	—
3.8 V± 2.0%	0.190V	S-80838CNNB-B8X-T2	S-80838CNY-X	S-80838CNUA-B8X-T2	—	—
3.9 V± 2.0%	0.195V	S-80839CNNB-B8Y-T2	S-80839CNY-X	S-80839CNUA-B8Y-T2	S-80839CNMC-B8Y-T2	—
4.0 V± 2.0%	0.200V	S-80840CNNB-B8Z-T2	S-80840CNY-X	S-80840CNUA-B8Z-T2	S-80840CNMC-B8Z-T2	—
4.1 V± 2.0%	0.205V	S-80841CNNB-B82-T2	S-80841CNY-X	S-80841CNUA-B82-T2	—	—
4.2 V± 2.0%	0.210V	S-80842CNNB-B83-T2	S-80842CNY-X	S-80842CNUA-B83-T2	S-80842CNMC-B83-T2	—
4.3 V± 2.0%	0.215V	S-80843CNNB-B84-T2	S-80843CNY-X	S-80843CNUA-B84-T2	—	—
4.4 V± 2.0%	0.220V	S-80844CNNB-B85-T2	S-80844CNY-X	S-80844CNUA-B85-T2	S-80844CNMC-B85-T2	—
4.5 V± 2.0%	0.225V	S-80845CNNB-B86-T2	S-80845CNY-X	S-80845CNUA-B86-T2	S-80845CNMC-B86-T2	S-80845CNBB-B86-TF
4.6 V± 2.0%	0.230V	S-80846CNNB-B87-T2	S-80846CNY-X	S-80846CNUA-B87-T2	—	—
4.6 V± 0.10V	0.10V max.	—	S-80846KNY-X	S-80846KNUA-D2C-T2	—	—
4.7 V± 2.0%	0.235V	S-80847CNNB-B88-T2	S-80847CNY-X	S-80847CNUA-B88-T2	—	—
4.8 V± 2.0%	0.240V	S-80848CNNB-B89-T2	S-80848CNY-X	S-80848CNUA-B89-T2	—	—
4.9 V± 2.0%	0.245V	S-80849CNNB-B9A-T2	S-80849CNY-X	S-80849CNUA-B9A-T2	—	—
5.0 V± 2.0%	0.250V	S-80850CNNB-B9B-T2	S-80850CNY-X	S-80850CNUA-B9B-T2	S-80850CNMC-B9B-T2	—
5.1 V± 2.0%	0.255V	S-80851CNNB-B9C-T2	S-80851CNY-X	S-80851CNUA-B9C-T2	S-80851CNMC-B9C-T2	—
5.2 V± 2.0%	0.260V	S-80852CNNB-B9D-T2	—	S-80852CNUA-B9D-T2	—	—
5.3 V± 2.0%	0.265V	S-80853CNNB-B9E-T2	S-80853CNY-X	—	—	—
5.4 V± 2.0%	0.270V	S-80854CNNB-B9F-T2	—	—	—	—
5.5 V± 2.0%	0.275V	S-80855CNNB-B9G-T2	—	—	—	—
5.6 V± 2.0%	0.280V	S-80856CNNB-B9H-T2	—	—	—	—
5.7 V± 2.0%	0.285V	S-80857CNNB-B9I-T2	—	—	—	—
5.8 V± 2.0%	0.290V	S-80858CNNB-B9J-T2	—	—	—	—
5.9 V± 2.0%	0.295V	S-80859CNNB-B9K-T2	—	—	—	—
6.0 V± 2.0%	0.300V	S-80860CNNB-B9L-T2	—	S-80860CNUA-B9L-T2	—	—

\*: X changes according to the packing form in TO-92. Standard forms are B; Bulk and Z; Zigzag (tape and ammo).  
 If tape and reel (T) is needed, please contact SII sales office.

# HIGH-PRECISION SMALL PACKAGE VOLTAGE DETECTOR

## S-808xxC Series

Rev.1.0

**Table 7 Selection Guide**

(2/2)

Detection voltage range	Hysteresis (typ.)	CMOS (Active low)				
		SC-82AB	TO-92*	SOT-89-3	SOT-23-5	SNB(B)
1.5 V± 2.0%	0.075V	S-80815CLNB-B6A-T2	S-80815CLY-X	S-80815CLUA-B6A-T2	S-80815CLMC-B6A-T2	—
1.6 V± 2.0%	0.080V	S-80816CLNB-B6B-T2	S-80816CLY-X	S-80816CLUA-B6B-T2	—	—
1.7 V± 2.0%	0.085V	S-80817CLNB-B6C-T2	S-80817CLY-X	S-80817CLUA-B6C-T2	—	—
1.8 V± 2.0%	0.090V	S-80818CLNB-B6D-T2	S-80818CLY-X	S-80818CLUA-B6D-T2	S-80818CLMC-B6D-T2	—
1.9 V± 2.0%	0.095V	S-80819CLNB-B6E-T2	S-80819CLY-X	S-80819CLUA-B6E-T2	S-80819CLMC-B6E-T2	—
2.0 V± 2.0%	0.100V	S-80820CLNB-B6F-T2	S-80820CLY-X	S-80820CLUA-B6F-T2	S-80820CLMC-B6F-T2	—
2.1 V± 2.0%	0.105V	S-80821CLNB-B6G-T2	S-80821CLY-X	S-80821CLUA-B6G-T2	S-80821CLMC-B6G-T2	—
2.2 V± 2.0%	0.110V	S-80822CLNB-B6H-T2	S-80822CLY-X	S-80822CLUA-B6H-T2	—	—
2.3 V± 2.0%	0.115V	S-80823CLNB-B6I-T2	S-80823CLY-X	S-80823CLUA-B6I-T2	S-80823CLMC-B6I-T2	—
2.4 V± 2.0%	0.120V	S-80824CLNB-B6J-T2	S-80824CLY-X	S-80824CLUA-B6J-T2	—	—
2.5 V± 2.0%	0.125V	S-80825CLNB-B6K-T2	S-80825CLY-X	S-80825CLUA-B6K-T2	S-80825CLMC-B6K-T2	—
2.6 V± 2.0%	0.130V	S-80826CLNB-B6L-T2	S-80826CLY-X	S-80826CLUA-B6L-T2	—	—
2.7 V± 2.0%	0.135V	S-80827CLNB-B6M-T2	S-80827CLY-X	S-80827CLUA-B6M-T2	S-80827CLMC-B6M-T2	S-80827CLBB-B6M-TF
2.8 V± 2.0%	0.140	S-80828CLNB-B6N-T2	S-80828CLY-X	S-80828CLUA-B6N-T2	S-80828CLMC-B6N-T2	—
2.9 V± 2.0%	0.145V	S-80829CLNB-B6O-T2	S-80829CLY-X	S-80829CLUA-B6O-T2	—	—
3.0 V± 2.0%	0.150V	S-80830CLNB-B6P-T2	S-80830CLY-X	S-80830CLUA-B6P-T2	S-80830CLMC-B6P-T2	—
3.1 V± 2.0%	0.155V	S-80831CLNB-B6Q-T2	S-80831CLY-X	S-80831CLUA-B6Q-T2	—	—
3.2 V± 2.0%	0.160V	S-80832CLNB-B6R-T2	S-80832CLY-X	S-80832CLUA-B6R-T2	S-80832CLMC-B6R-T2	—
3.3 V± 2.0%	0.165V	S-80833CLNB-B6S-T2	S-80833CLY-X	S-80833CLUA-B6S-T2	S-80833CLMC-B6S-T2	—
3.4 V± 2.0%	0.170V	S-80834CLNB-B6T-T2	S-80834CLY-X	S-80834CLUA-B6T-T2	—	—
3.5 V± 2.0%	0.175V	S-80835CLNB-B6U-T2	S-80835CLY-X	S-80835CLUA-B6U-T2	S-80835CLMC-B6U-T2	—
3.6 V± 2.0%	0.180V	S-80836CLNB-B6V-T2	S-80836CLY-X	S-80836CLUA-B6V-T2	—	—
3.7 V± 2.0%	0.185V	S-80837CLNB-B6W-T2	S-80837CLY-X	S-80837CLUA-B6W-T2	—	—
3.8 V± 2.0%	0.190V	S-80838CLNB-B6X-T2	S-80838CLY-X	S-80838CLUA-B6X-T2	—	—
3.9 V± 2.0%	0.195V	S-80839CLNB-B6Y-T2	S-80839CLY-X	S-80839CLUA-B6Y-T2	—	—
4.0 V± 2.0%	0.200V	S-80840CLNB-B6Z-T2	S-80840CLY-X	S-80840CLUA-B6Z-T2	S-80840CLMC-B6Z-T2	—
4.1 V± 2.0%	0.205V	S-80841CLNB-B62-T2	S-80841CLY-X	S-80841CLUA-B62-T2	—	—
4.2 V± 2.0%	0.210V	S-80842CLNB-B63-T2	S-80842CLY-X	S-80842CLUA-B63-T2	S-80842CLMC-B63-T2	—
4.3 V± 2.0%	0.215V	S-80843CLNB-B64-T2	S-80843CLY-X	S-80843CLUA-B64-T2	—	—
4.4 V± 2.0%	0.220V	S-80844CLNB-B65-T2	S-80844CLY-X	S-80844CLUA-B65-T2	—	—
4.45 V typ.	4.70V max.	—	S-80844KLY-X	S-80844KLUA-D2A-T2	—	—
4.5 V± 2.0%	0.225V	S-80845CLNB-B66-T2	S-80845CLY-X	S-80845CLUA-B66-T2	S-80845CLMC-B66-T2	S-80845CLBB-B66-TF
4.6 V± 2.0%	0.230V	S-80846CLNB-B67-T2	S-80846CLY-X	S-80846CLUA-B67-T2	—	—
4.7 V± 2.0%	0.235V	S-80847CLNB-B68-T2	S-80847CLY-X	S-80847CLUA-B68-T2	—	—
4.8 V± 2.0%	0.240V	S-80848CLNB-B69-T2	S-80848CLY-X	S-80848CLUA-B69-T2	—	—
4.9 V± 2.0%	0.245V	S-80849CLNB-B7A-T2	S-80849CLY-X	S-80849CLUA-B7A-T2	S-80849CLMC-B7A-T2	—
5.0 V± 2.0%	0.250V	S-80850CLNB-B7B-T2	S-80850CLY-X	S-80850CLUA-B7B-T2	S-80850CLMC-B7B-T2	—
5.1 V± 2.0%	0.255V	S-80851CLNB-B7C-T2	S-80851CLY-X	S-80851CLUA-B7C-T2	S-80851CLMC-B7C-T2	—
5.2 V± 2.0%	0.260V	S-80852CLNB-B7D-T2	—	S-80852CLUA-B7D-T2	S-80852CLMC-B7D-T2	—
5.3 V± 2.0%	0.265V	S-80853CLNB-B7E-T2	—	—	—	—
5.4 V± 2.0%	0.270V	S-80854CLNB-B7F-T2	—	—	—	—
5.5 V± 2.0%	0.275V	S-80855CLNB-B7G-T2	—	S-80855CLUA-B7G-T2	—	—
5.6 V± 2.0%	0.280V	S-80856CLNB-B7H-T2	—	—	—	—
5.7 V± 2.0%	0.285V	S-80857CLNB-B7I-T2	—	—	—	—
5.8 V± 2.0%	0.290V	S-80858CLNB-B7J-T2	—	—	—	—
5.9 V± 2.0%	0.295V	S-80859CLNB-B7K-T2	—	—	—	—
6.0 V± 2.0%	0.300V	S-80860CLNB-B7L-T2	—	—	—	—

\*: X changes according to the packing form in TO-92. Standard forms are B; Bulk and Z; Zigzag (tape and ammo).  
If tape and reel (T) is needed, please contact SII sales office.

■ Output Forms

1. Output forms in S-808xxC Series

	Nch open-drain (Active low)	CMOS output (Active low)
S-808xxC Series	"N" is the last letter of the model number. e.g. S-80815CN	"L" is the last letter of the model number e.g. S-80815CL

2. Output forms and their usage

Usage	Nch ("L")	CMOS ("L")
Different power supplies	Yes	No
Active low reset for CPUs	Yes	Yes
Active high reset for CPUs	No	No
Detection voltage change by resistor divider	Yes	No

★Example for two power supplies    ★Example for one power supply

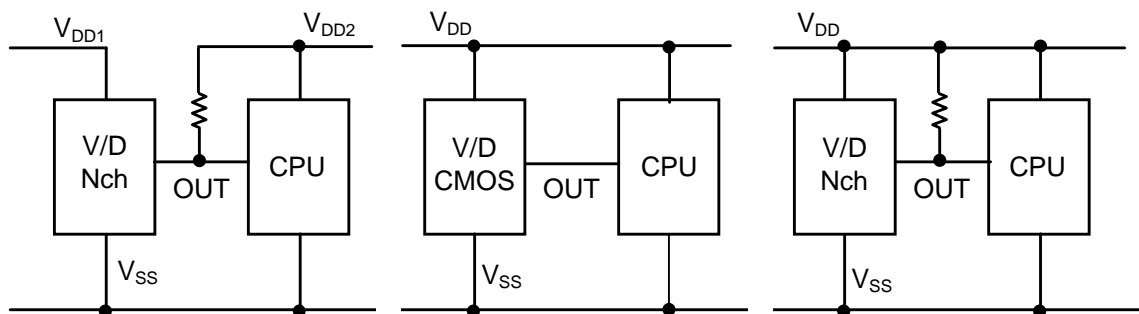


Figure 7

■ Absolute Maximum Ratings

Table 8 Absolute Maximum Ratings

(Ta=25°C, Unless otherwise specified)

Parameter	Symbol	Rating	Unit	
Power supply voltage	$V_{DD}-V_{SS}$	12	V	
Output voltage	$V_{OUT}$	Nch open-drain	$V_{SS}-0.3$ to 12	V
		CMOS	$V_{SS}-0.3$ to $V_{DD}+0.3$	V
Output current	$I_{OUT}$	50	mA	
Power dissipation	$P_D$	TO-92	400	mW
		SOT-89-3	500	
		SC-82AB, SOT-23-5	150	
		SNB(B)	60	
Operating temperature	$T_{opr}$	-40 to +85	°C	
Storage temperature	$T_{stg}$	-40 to +125	°C	

Note: Although the IC contains protection circuit against static electricity, excessive static electricity or voltage which exceeds the limit of the protection circuit should not be applied to.

■ **Electrical Characteristics**

1. Standard products

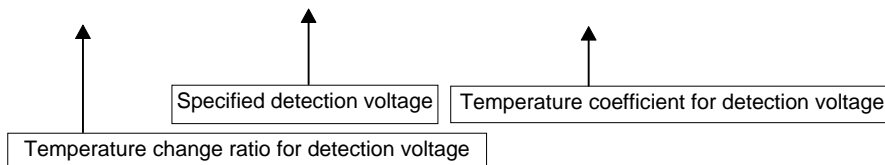
**Table 9 Electrical Characteristics**

(Ta=25 °C, Unless otherwise specified)

Parameter	Symbol	Conditions		Min.	Typ.	Max.	Units	Test circuit
Detection voltage	$-V_{DET}$	—		$-V_{DET} \times 0.98$	$-V_{DET}$	$-V_{DET} \times 1.02$	V	1
Hysteresis width	$V_{HYS}$	—		$-V_{DET} \times 0.03$	$-V_{DET} \times 0.05$	$-V_{DET} \times 0.08$	V	1
Current consumption	$I_{SS}$	$V_{DD}=3.5V$	S-80815 ~ 26	—	0.8	2.4	$\mu A$	2
		$V_{DD}=4.5V$	S-80827 ~ 39	—	0.8	2.4		
		$V_{DD}=6.0V$	S-80840 ~ 56	—	0.9	2.7		
		$V_{DD}=7.5V$	S-80857 ~ 60	—	0.9	2.7		
Operating voltage	$V_{DD}$	—		0.95	—	10.0	V	1
Output current of output transistor	$I_{OUT}$	Nch $V_{OUT}=0.5V$	$V_{DD}=1.2V$ S-80815 ~ 26	0.23	0.50	—	mA	3
			$V_{DD}=2.4V$ S-80827 ~ 60	1.60	3.70	—		
		(applied for CMOS output products) $V_{OUT}=V_{DD} - 0.5V$	$V_{DD}=4.8V$ S-80815 ~ 39	0.36	0.62	—		4
			$V_{DD}=6.0V$ S-80840 ~ 56	0.46	0.75	—		
Leakage current of output transistor	$I_{LEAK}$	Nch (applied for Nch open-drain output products) $V_{OUT}=10.0V, V_{DD}=10.0V$		—	—	0.1	$\mu A$	3
				—	—	60	$\mu s$	1
Response time	tPLH			—	—	60	$\mu s$	1
Temperature <sup>1)</sup> coefficient for detection voltage	$\frac{\Delta - V_{DET}}{\Delta Ta \bullet -V_{DET}}$	$Ta=-40^{\circ}C$ to $+85^{\circ}C$		—	100	350	ppm/ $^{\circ}C$	1

1) Temperature change ratio for the detection voltage [mV/ $^{\circ}C$ ] is calculated using the following equation.

$$\frac{\Delta - V_{DET}}{\Delta Ta} [mV/^{\circ}C] = -V_{DET} [V] \times \frac{\Delta - V_{DET}}{\Delta Ta \bullet -V_{DET}} [ppm/^{\circ}C] \div 1000$$



2) Customized products  
 S-80824KNUA-D2B-T2/S-80824KNY-X

**Table 10**

(Ta=25 °C, Unless otherwise specified)

Parameter	Symbol	Conditions	Min.	Typ.	Max.	Units	Test circuit
Detection voltage	$-V_{DET}$	—	2.295	2.400	2.505	V	1
Release voltage	$+V_{DET}$	—	4.300	4.400	4.500	V	1
Current consumption	$I_{SS}$	$V_{DD}=6.0V$	—	1.0	3.0	$\mu A$	2
Operating voltage	$V_{DD}$	—	0.95	—	10.0	V	1
Output current of output transistor	$I_{OUT}$	Nch $V_{OUT}=0.5V$	$V_{DD}=0.95V$ 0.03	0.25	—	$mA$	3
			$V_{DD}=1.2V$ 0.23	0.50	—	$mA$	4
Leakage current of output transistor	$I_{LEAK}$	Nch $V_{OUT}=10.0V$ $V_{DD}=10.0V$	—	—	0.1	$\mu A$	3
Response time	tPLH	—	—	—	60	$\mu s$	1
Temperature <sup>1)</sup> coefficient for detection voltage	$\frac{\Delta -V_{DET}}{\Delta Ta} \bullet -V_{DET}$	Ta=-40°C to +85°C	—	100	350	ppm/°C	1

S-80844KLUA-D2A-T2/S-80844KLY-X

**Table 11**

(Ta=25 °C, Unless otherwise specified)

Parameter	Symbol	Conditions	Min.	Typ.	Max.	Units	Test circuit
Detection voltage	$-V_{DET}$	—	4.295	4.450	4.605	V	1
Release voltage	$+V_{DET}$	—	—	—	4.700	V	1
Current consumption	$I_{SS}$	$V_{DD}=6.0V$	—	1.0	3.0	$\mu A$	2
Operating voltage	$V_{DD}$	—	0.95	—	10.0	V	1
Output current of output transistor	$I_{OUT}$	Nch $V_{OUT}=0.5V$	$V_{DD}=1.2V$ 0.23	0.50	—	$mA$	3
			$V_{DD}=2.4V$ 1.60	3.70	—		
		Pch $V_{OUT} = V_{DD} - 0.5V$	$V_{DD}=4.8V$ 0.36	0.62	—	$mA$	4
Response time	tPLH	—	—	—	60	$\mu s$	1
Temperature <sup>1)</sup> coefficient for detection voltage	$\frac{\Delta -V_{DET}}{\Delta Ta} \bullet -V_{DET}$	Ta=-40°C to +85°C	—	100	350	ppm/°C	1

S-80846KNUA-D2C-T2/S-80846KNY-X

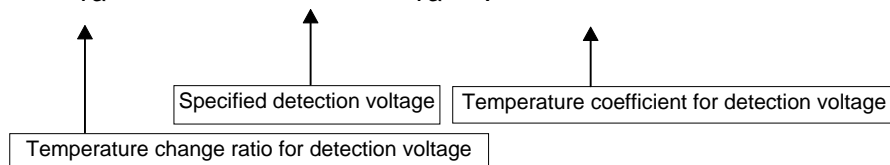
**Table 12**

(Ta=25 °C, Unless otherwise specified)

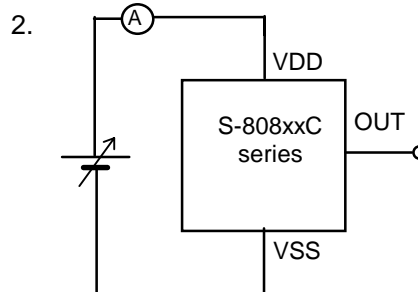
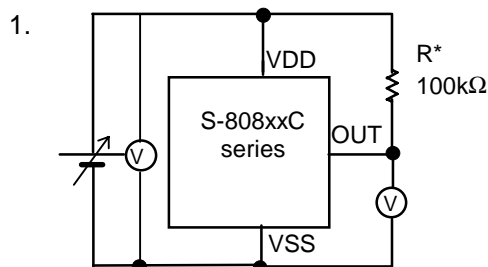
Parameter	Symbol	Conditions	Min.	Typ.	Max.	Units	Test circuit
Detection voltage	-V <sub>DET</sub>	—	4.500	4.600	4.700	V	1
Hysteresis width	V <sub>HYS</sub>	—	—	0.05	0.10	V	1
Current consumption	I <sub>SS</sub>	V <sub>DD</sub> =6.0V	—	1.0	3.0	μA	2
Operating voltage	V <sub>DD</sub>	—	0.95	—	10.0	V	1
Output current of output transistor	I <sub>OUT</sub>	Nch V <sub>DD</sub> =1.2V	0.23	0.50	—	mA	3
		V <sub>OUT</sub> =0.5V V <sub>DD</sub> =2.4V	1.60	3.70	—	mA	4
Leakage current of output transistor	I <sub>LEAK</sub>	Nch V <sub>DD</sub> =10.0V V <sub>OUT</sub> =10.0V	—	—	0.1	μA	3
Response time	t <sub>PLH</sub>	—	—	—	60	μs	1
Temperature <sup>1)</sup> coefficient for detection voltage	$\frac{\Delta - V_{DET}}{\Delta Ta}$	Ta=-40°C to +85°C	—	100	350	ppm/°C	1

1) Temperature change ratio for the detection voltage [mV/°C] is calculated using the following equation.

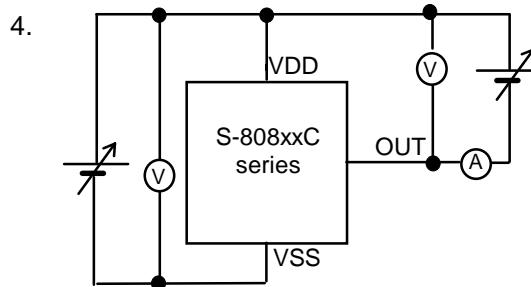
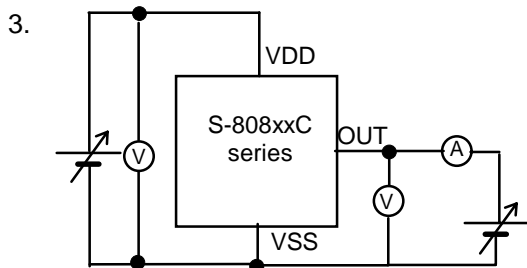
$$\frac{\Delta - V_{DET}}{\Delta Ta} [mV/°C] = -V_{DET} [V] \times \frac{\Delta - V_{DET}}{\Delta Ta \bullet -V_{DET}} [ppm/°C] \div 1000$$



**Test Circuits**



\* R is unnecessary for CMOS output products.



**Figure 8 Test Circuits**

■ **Definition of Terms**

1. Detection voltage ( $-V_{DET}$ )

Detection voltage ( $-V_{DET}$ ) is a voltage at which the output turns to low. The detection voltage varies slightly among products of the same specification. The variation of detection voltage between the minimum [ $(-V_{DET})_{min.}$ ] and the maximum [ $(-V_{DET})_{max.}$ ] is called the detection voltage range (See Figure 9).

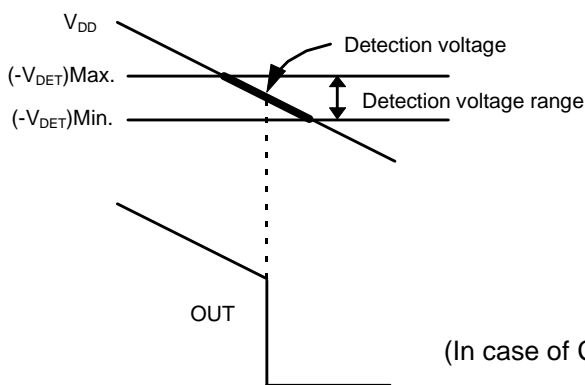
Example : For the S-80815CN, the detection voltage lies in the range of  $1.470 \leq (-V_{DET}) \leq 1.530$ . This means that some S-80815CNs have 1.470V for  $-V_{DET}$  and some have 1.530V.

2. Release voltage ( $+V_{DET}$ )

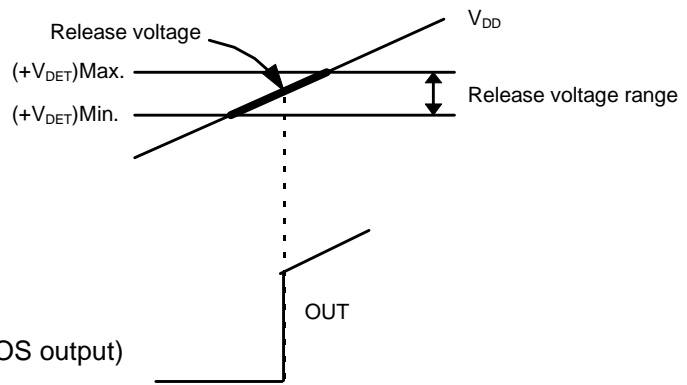
Release voltage ( $+V_{DET}$ ) is a voltage at which the output turns to high. The release voltage varies slightly among products of the same specification. The variation of release voltages between the minimum [ $(+V_{DET})_{min.}$ ] and the maximum [ $(+V_{DET})_{max.}$ ] is called the release voltage range (See Figure 10).

Example : For the S-80815CN, the release voltage lies in the range of  $1.514 \leq (+V_{DET}) \leq 1.652$ . This means that some S-80815CNs have 1.514V for  $+V_{DET}$  and some have 1.652V.

Remark: Although the detection voltage and release voltage overlap in the range of 1.514 V to 1.530 V,  $+V_{DET}$  is always larger than  $-V_{DET}$ .



**Figure 9 Detection Voltage**



**Figure 10 Release Voltage**

(In case of CMOS output)

3. Hysteresis width ( $V_{HYS}$ )

Hysteresis width is the voltage difference between the detection voltage and the release voltage. The existence of the hysteresis width avoids malfunction caused by noise on input signal.

4. Short-circuit current

Short-circuit current in a voltage detector is the current which flows instantaneously at the time of detection and release of a voltage detector. The short-circuit current is large in CMOS out put products, small in Nch open-drain output products.

5. Oscillation

In applications where a resistor is connected to the voltage detector input (Figure 11), taking a CMOS active low product for example, the short-circuit current which is generated when the output goes from low to high (release) causes a voltage drop equal to [short-circuit current] × [input resistance] across the resistor. When the input voltage falls below the detection voltage  $-V_{DET}$  as a result, the output voltage goes to low level. In this state, the short-circuit current stops and its resultant voltage drop disappears, and the output goes from low to high. Short-circuit current is again generated, a voltage drop appears, and oscillation is finally induced by repeating the process.

Following is an example for bad implementation: input voltage divider for a CMOS output product.

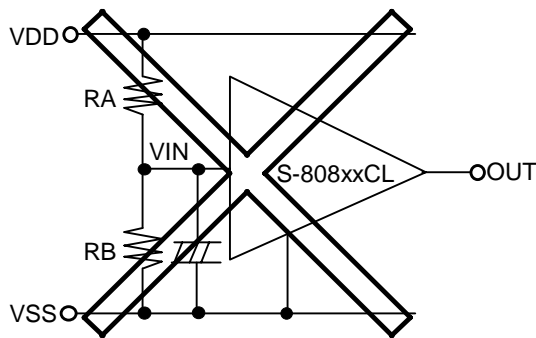


Figure 11 An example for bad implementation

■ Standard Circuit

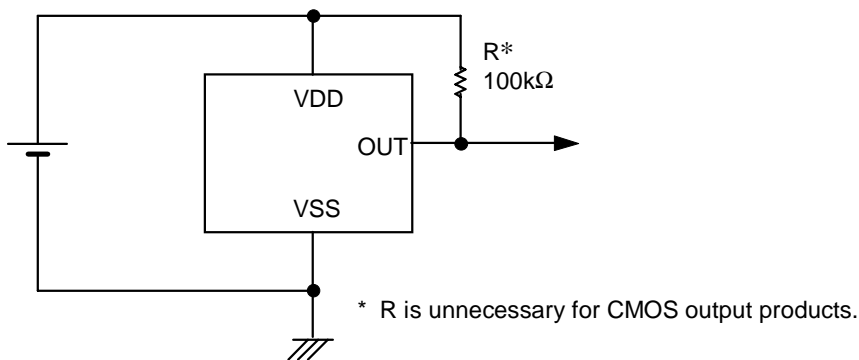
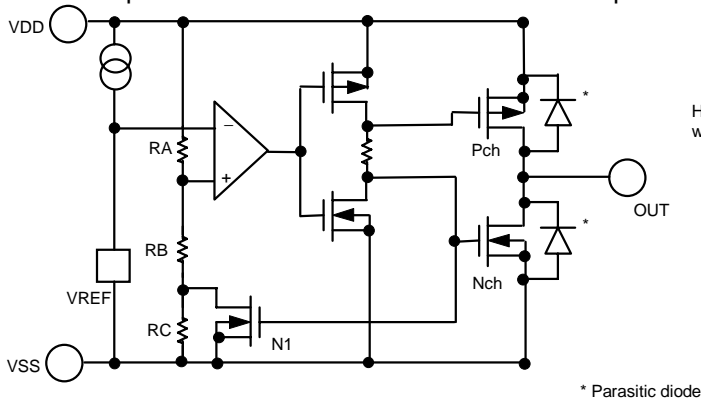


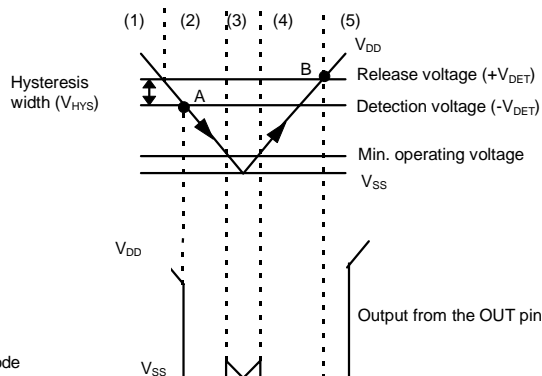
Figure 12 Standard Circuit

■ **Operation Description**

1. Basic operation : In case of CMOS active low output



**Figure 13 Operation 1**



**Figure 14 Operation 2**

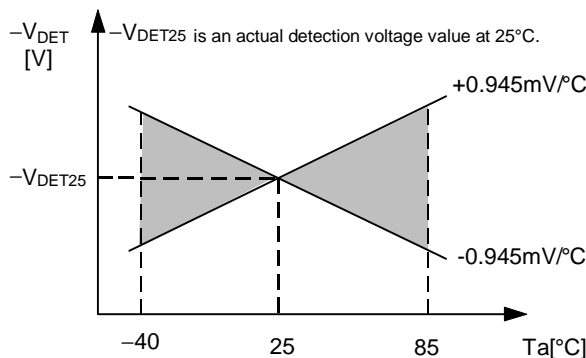
- (1) When the power supply voltage  $V_{DD}$  is higher than the release voltage  $+V_{DET}$ , the Nch transistor is OFF and the Pch transistor is ON to provide  $V_{DD}$  (high) at the output. Since the Nch transistor N1 in Figure 13 is OFF, the comparator input voltage is  $(RB+RC)/(RA+RB+RC) \times V_{DD}$ .
- (2) When the  $V_{DD}$  goes below  $+V_{DET}$ , the output provides the  $V_{DD}$  level, as long as the  $V_{DD}$  remains above the detection voltage  $-V_{DET}$ . When the  $V_{DD}$  falls below  $-V_{DET}$  (point A in Figure 14), the Nch transistor becomes ON, the Pch transistor becomes OFF, and the  $V_{SS}$  level appears at the output. At this time the Nch transistor N1 in Figure 13 becomes ON, the comparator input voltage is changed to  $RB/(RA+RB) \times V_{DD}$ .
- (3) When the  $V_{DD}$  falls below the minimum operating voltage, the output becomes undefined, or goes to the  $V_{DD}$  when the output is pulled up to the  $V_{DD}$ .
- (4) The  $V_{SS}$  level appears when the  $V_{DD}$  rises above the minimum operating voltage. The  $V_{SS}$  level still appears even when the  $V_{DD}$  surpasses  $-V_{DET}$ , as long as it does not exceed the release voltage  $+V_{DET}$ .
- (5) When the  $V_{DD}$  rises above  $+V_{DET}$  (point B in Figure 14), the Nch transistor becomes OFF and the Pch transistor becomes ON to provide  $V_{DD}$  level at the output.

2. Other characteristics

- (1) Temperature dependence of detection voltage

The temperature dependence of the detection voltage is shown by the shaded area in Figure 15.

S-80827C:



**Figure 15 Temperature dependence of Detection Voltage**

- (2) Temperature dependence of release voltage

The temperature coefficient  $\left(\frac{\Delta + V_{DET}}{\Delta T_a}\right)$  of the release voltage is calculated by the temperature coefficient  $\left(\frac{\Delta - V_{DET}}{\Delta T_a}\right)$  of the detection voltage as follows:

$$\frac{\Delta + V_{DET}}{\Delta T_a} = \frac{+V_{DET}}{-V_{DET}} \times \frac{\Delta - V_{DET}}{\Delta T_a}$$

The temperature coefficients for the release voltage and the detection voltage have the same sign consequently.

(3) Temperature characteristics of hysteresis voltage

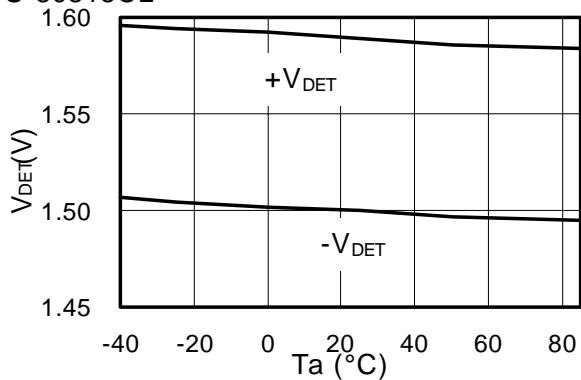
The temperature dependence of hysteresis voltage is expressed as  $\left(\frac{\Delta + V_{DET}}{\Delta T_a} - \frac{\Delta - V_{DET}}{\Delta T_a}\right)$  and is calculated as follows:

$$\frac{\Delta + V_{DET}}{\Delta T_a} - \frac{\Delta - V_{DET}}{\Delta T_a} = \frac{V_{HYS}}{-V_{DET}} \times \frac{\Delta - V_{DET}}{\Delta T_a}$$

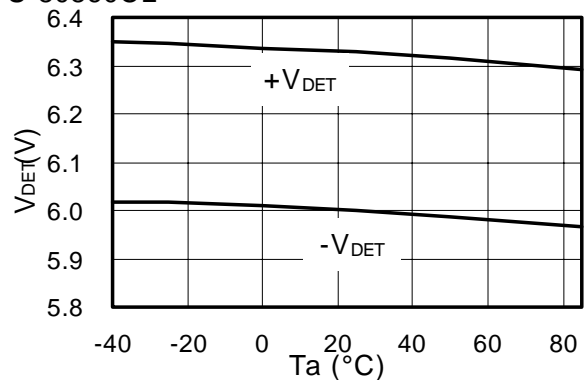
■ **Typical Characteristics**

(1) Detection voltage ( $V_{DET}$ ) - Temperature ( $T_a$ )

S-80815CL

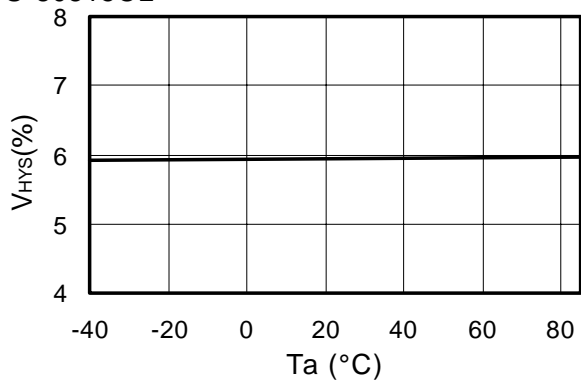


S-80860CL

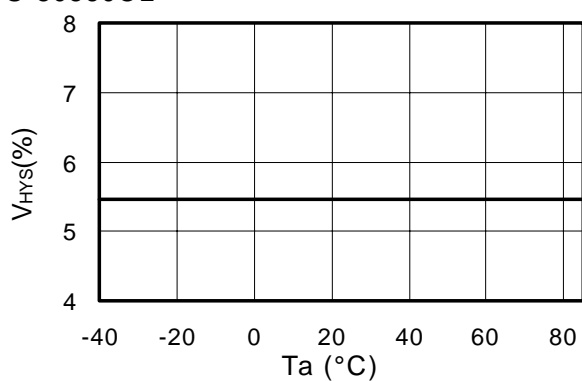


(2) Hysteresis voltage width ( $V_{HYS}$ ) - Temperature ( $T_a$ )

S-80815CL

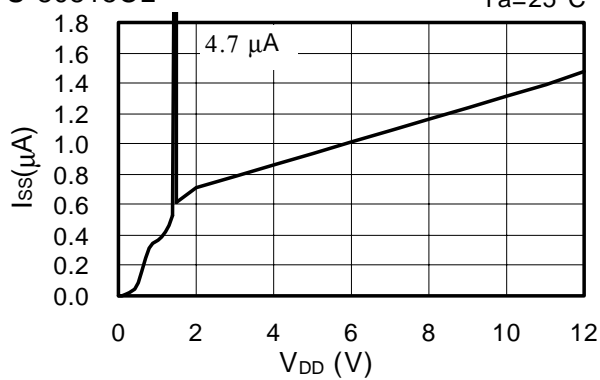


S-80860CL

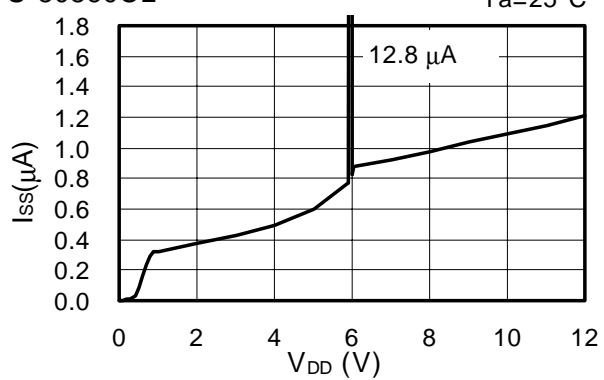


(3) Current consumption ( $I_{SS}$ ) - Input voltage ( $V_{DD}$ )

S-80815CL

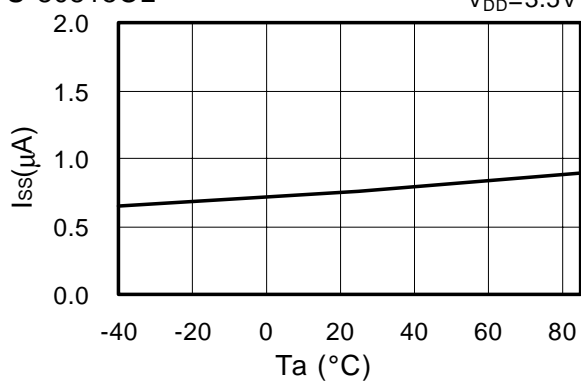


S-80860CL

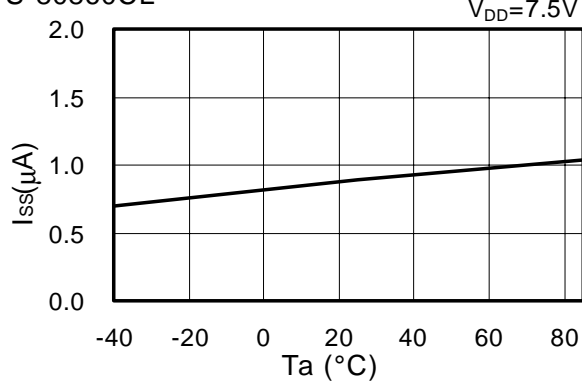


(4) Current consumption ( $I_{SS}$ ) - Temperature ( $T_a$ )

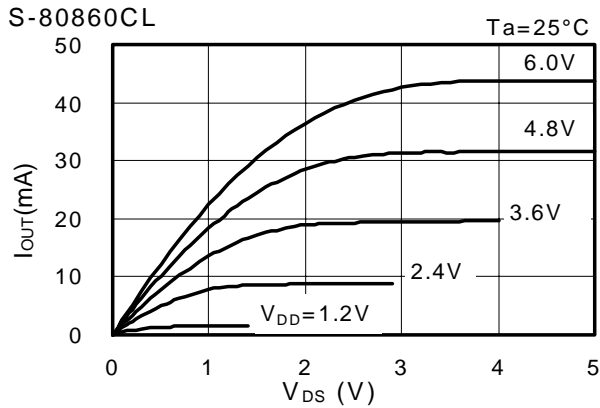
S-80815CL



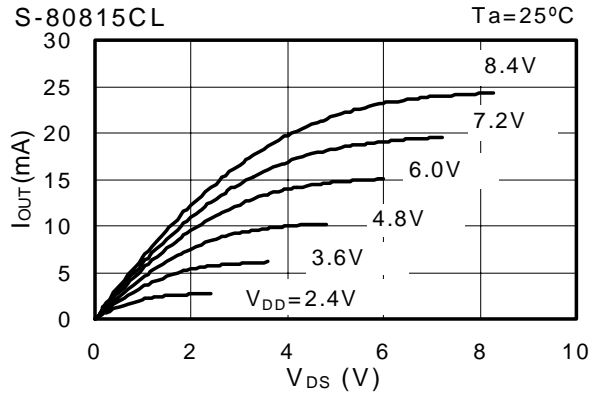
S-80860CL



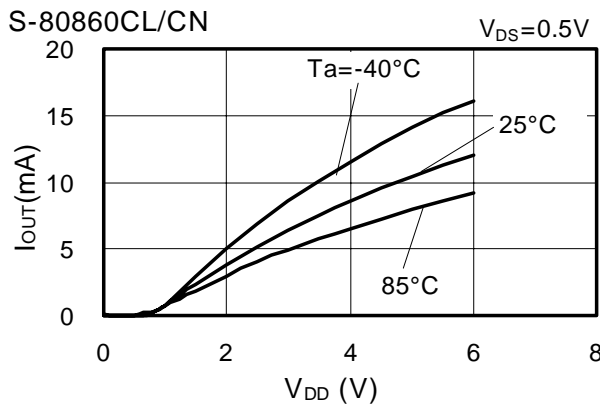
(5) Nch transistor output current ( $I_{OUT}$ ) -  $V_{DS}$



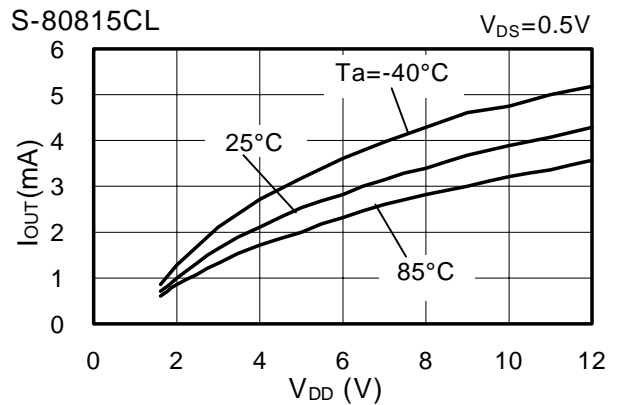
(6) Pch transistor output current ( $I_{OUT}$ ) -  $V_{DS}$



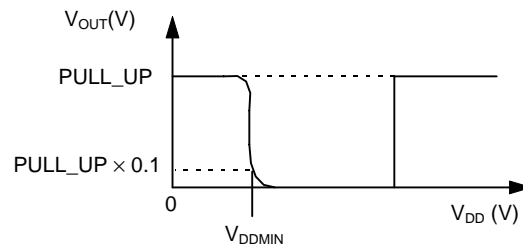
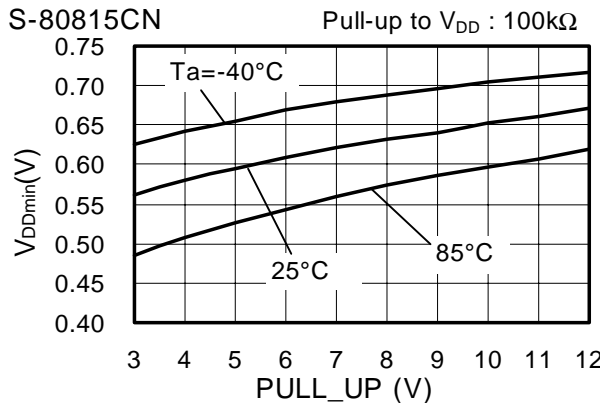
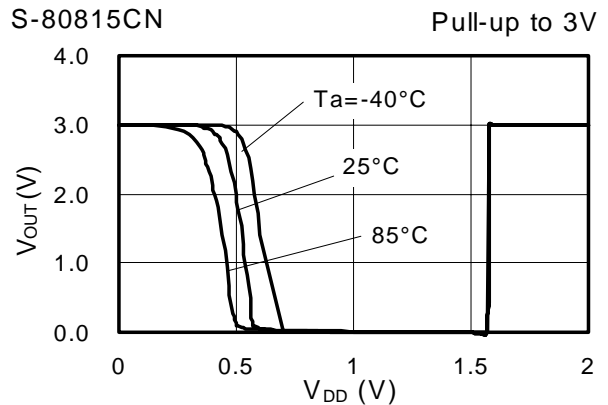
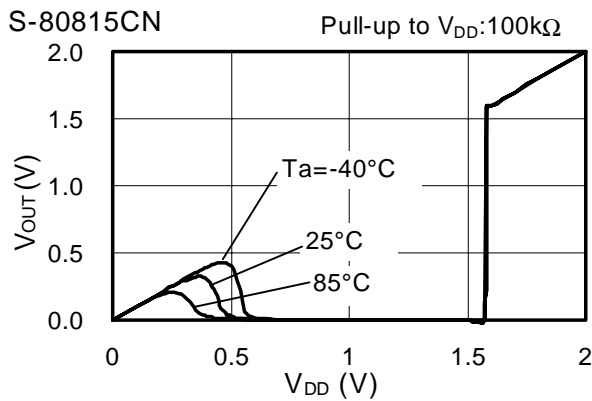
(7) Nch transistor output current ( $I_{OUT}$ )



(8) Pch transistor output current ( $I_{OUT}$ )



(9) Minimum operating voltage - Input voltage ( $V_{DD}$ )

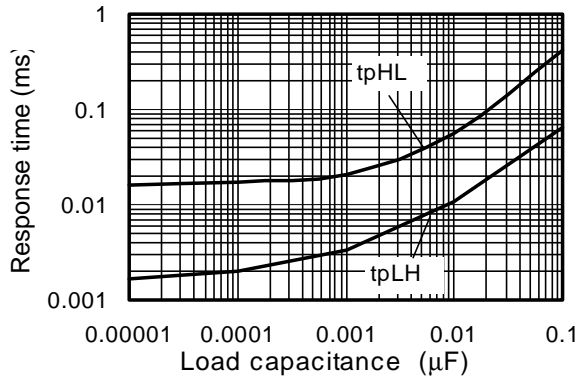


Note)

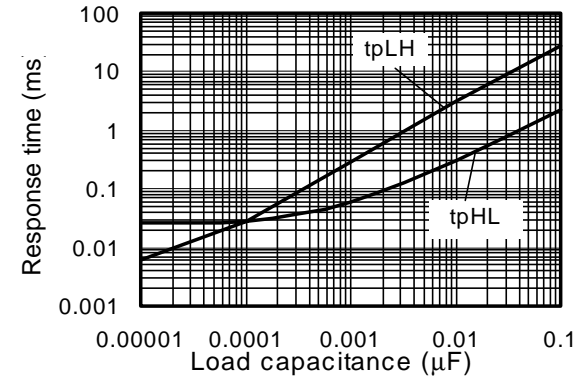
$V_{DDMIN}$  is defined by the  $V_{DD}$  voltage at which  $V_{OUT}$  is equal to the 10% of PULL-UP voltage when the  $V_{DD}$  increase from 0V.

(10) Response time - Load capacitor ( $C_{OUT}$ )

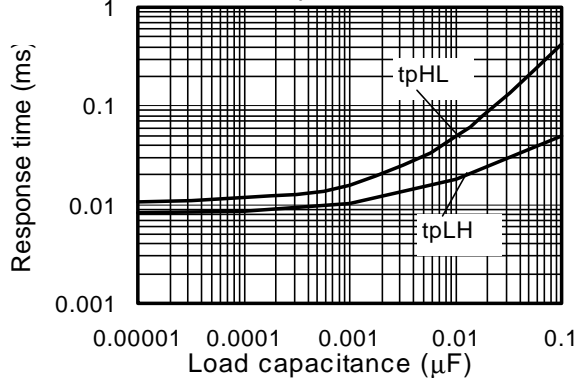
S-80815CL CMOS output  $T_a=25^\circ\text{C}$



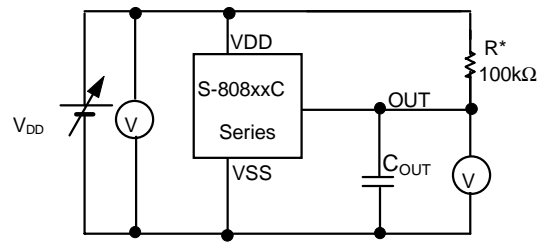
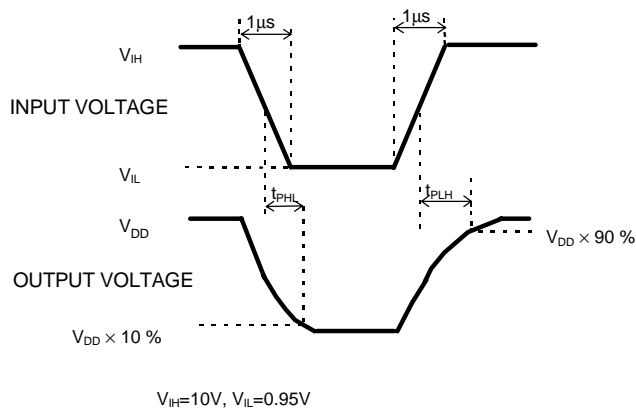
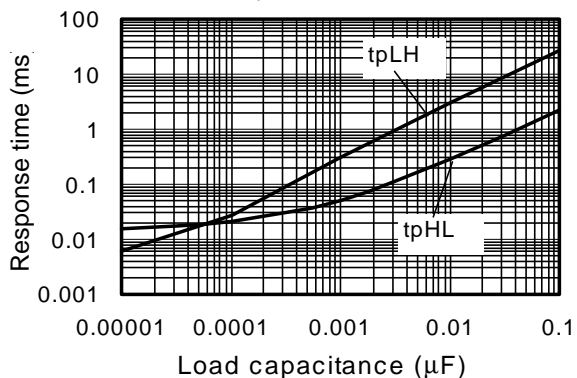
S-80815CN Nch Open-drain  $T_a=25^\circ\text{C}$



S-80860CL CMOS output  $T_a=25^\circ\text{C}$



S-80860CN Nch Open-drain  $T_a=25^\circ\text{C}$



\* R is not necessary for CMOS output products.

Figure 16 Measurement Condition for Response Time

Figure 17 Measurement Circuit for Response Time

■ Application Circuit Examples

1. Microcomputer reset circuits

Reset circuits shown in figures 18 and 19 can be easily constructed with the help of the S-808xxC series, since the detector has low operating voltage, a high-precision detection voltage and hysteresis.

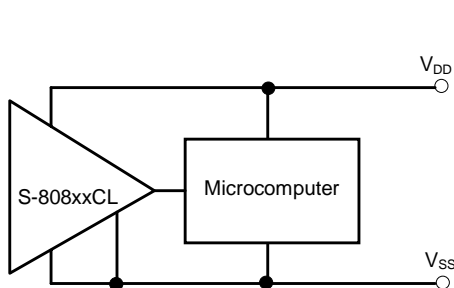
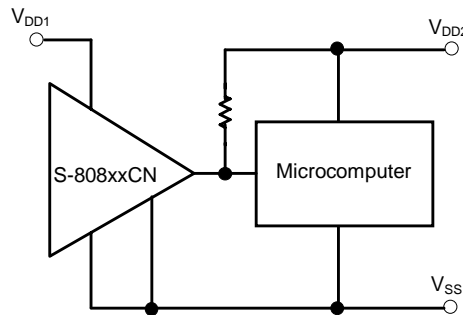


Figure 18 Reset Circuit (S-808xxCL)



(Nch open-drain output products only)

Figure 19 Reset Circuit (S-808xxCN)

2. Power-on reset circuit

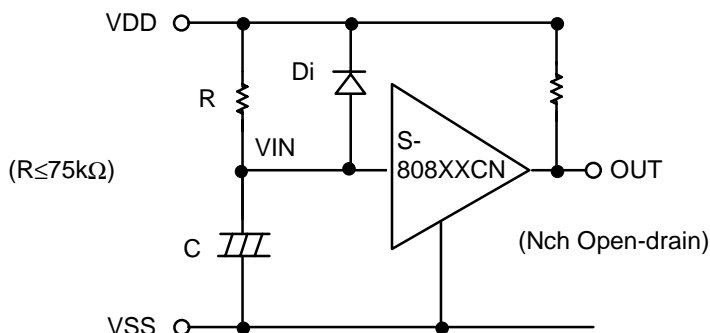


Figure 20

Note:1) Resistor R should be 75kΩ or less to avoid oscillation.

Note:2) Diode Di instantaneously discharges the charge stored in the capacitor C at the power falling, Di can be removed when the delay of the falling time is not important.

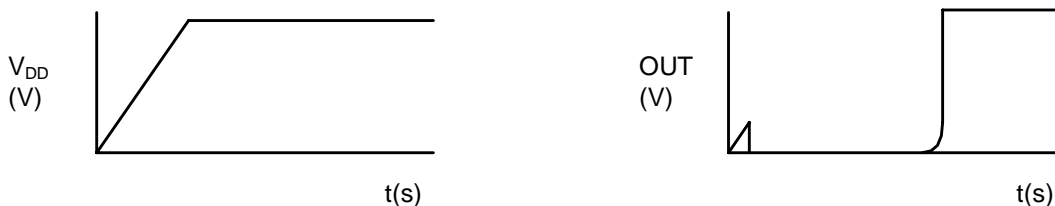


Figure 21

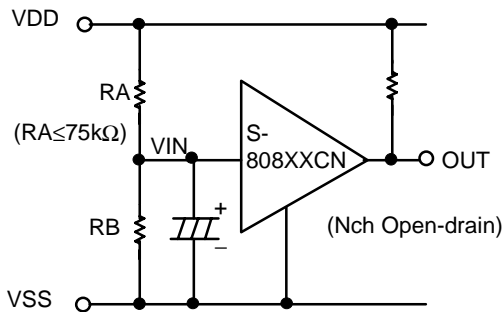
Note:3) When the power rises sharply as shown in the figure 22 left, the output may go to the high level for an instant in the undefined region where the output voltage is undefined since the power voltage is less than the minimum operation voltage.



Figure 22

3. Change of detection voltage

In Nch open-drain output products of the S-808xxC series, detection voltage can be changed using resistance dividers or diodes as shown in figures 23 and 24. In figure 23 hysteresis width also changes.



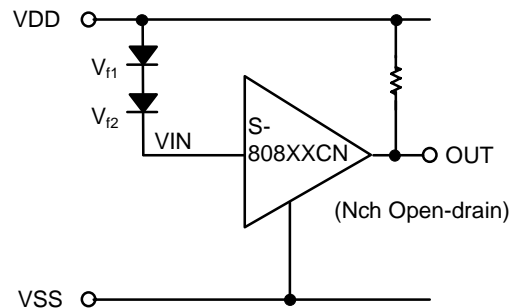
$$\text{Detection voltage} = \frac{RA+RB}{RB} \cdot -V_{DET}$$

$$\text{Hysteresis Width} = \frac{RA+RB}{RB} \cdot V_{HYS}$$

Note1: If RA and RB are large, the hysteresis width may be larger than the value given by the above equation due to the short-circuit current (which flows slightly in an Nch open-drain product).

Note2: RA should be 75kΩ or less to avoid oscillation.

Figure 23



$$\text{Detection voltage} = V_{11} + V_{12} + (-V_{DET})$$

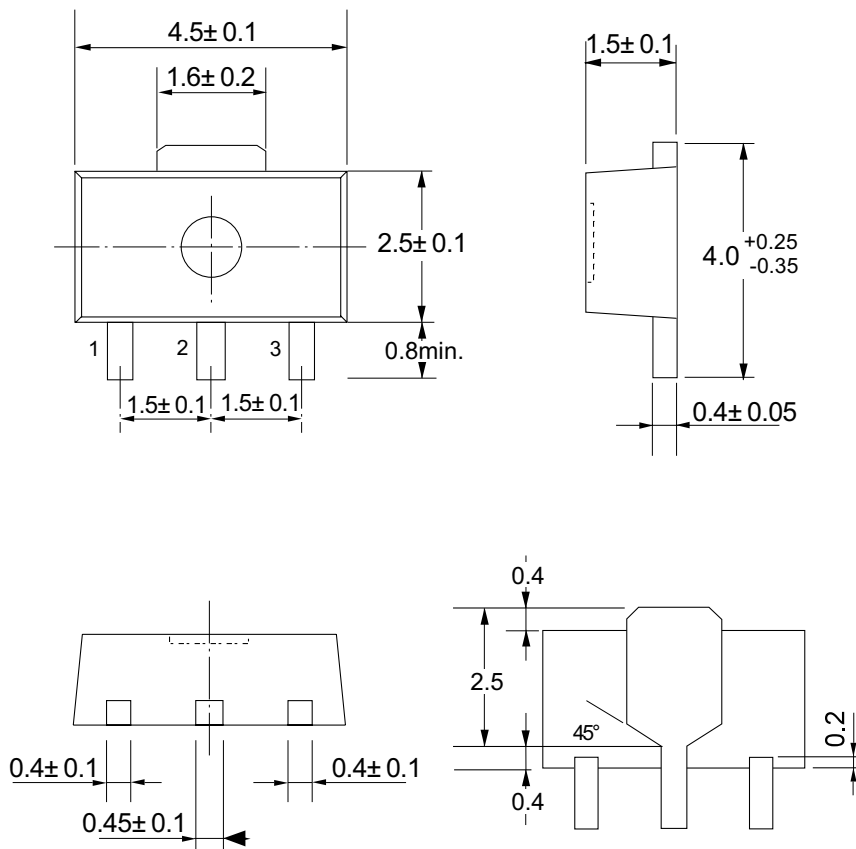
Figure 24

## Notes

- In CMOS output products of the S-808xxC series, the short-circuit current flows at the detection and the release. If the input impedance is high, oscillation may occur due to the voltage drop by the short-circuit current during releasing.
- When designing for mass production using an application circuit described herein, parts deviation and temperature characteristics should be taken into consideration.
- Seiko Instruments Inc. shall not bear any responsibility for the patents on the circuits described herein.

● Dimensions

Unit:mm

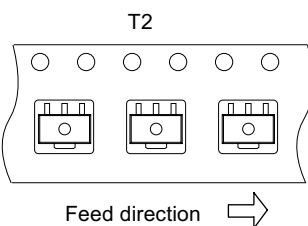
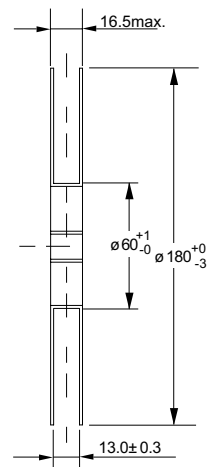
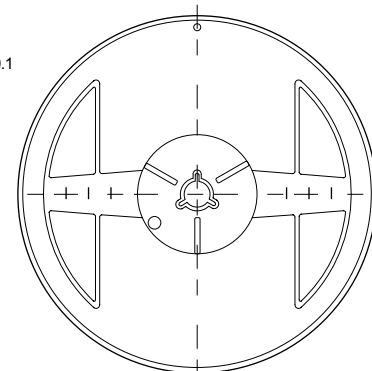
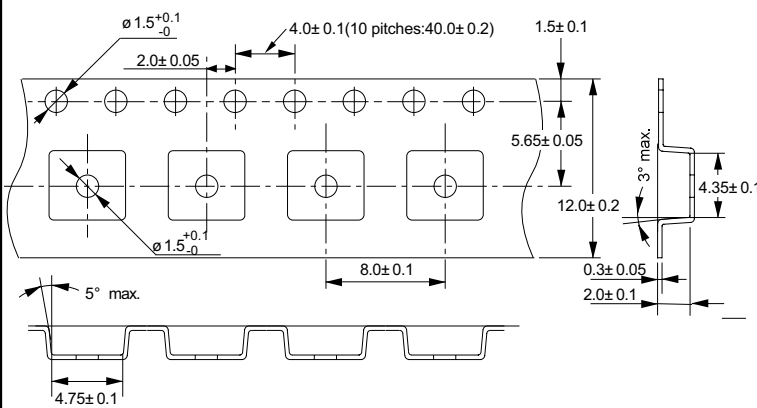


No. UP003-A-P-SD-1.0

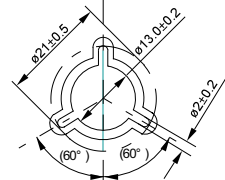
● Taping Specifications

● Reel Specifications

1 reel holds 1000 ICs.



Winding core



No. UP003-A-C-SD-1.0

No. UP003-A-R-SD-1.0

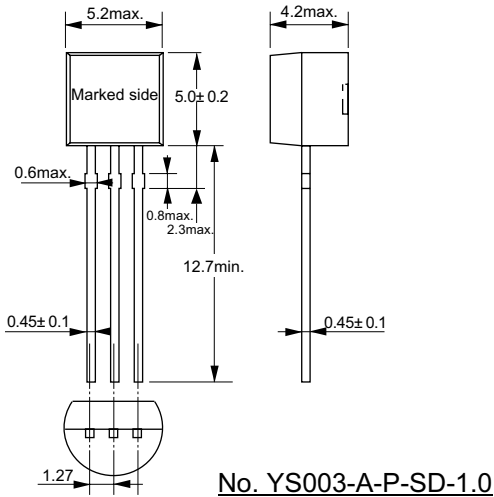
■ TO-92

YF003-A 010515

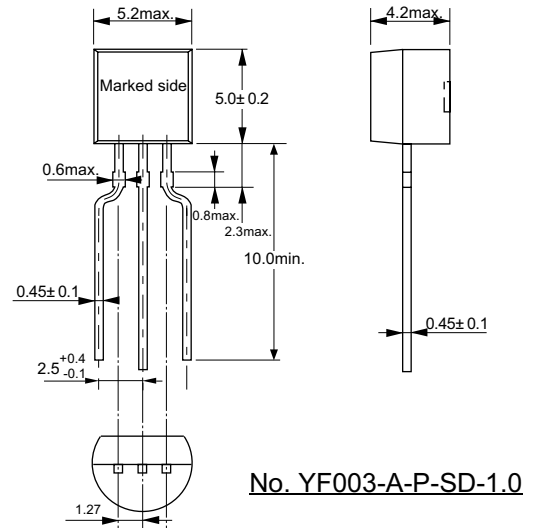
● Dimensions

Unit:mm

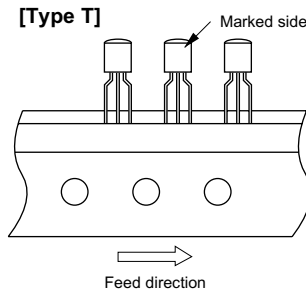
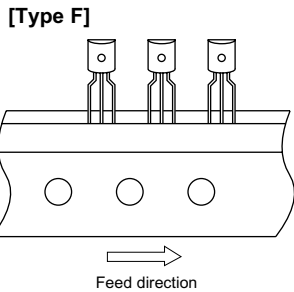
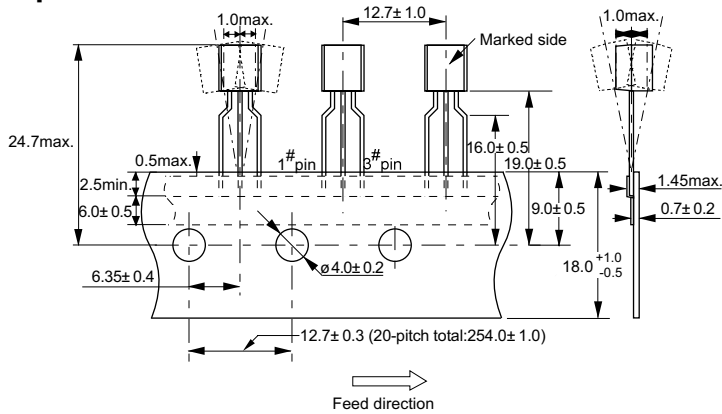
(1) Bulk



(2) Leadforming for tape (reel/zigzag)



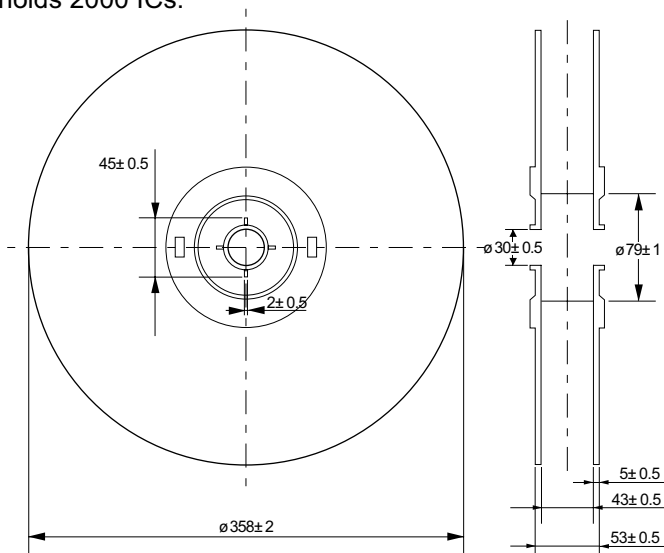
● Tape



No. YF003-A-C-SD-1.0

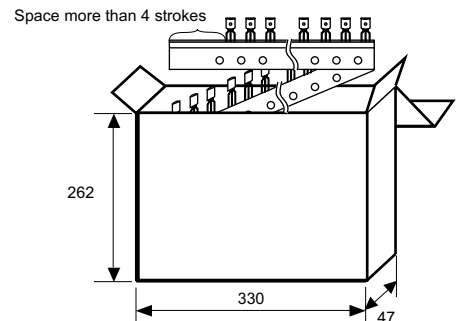
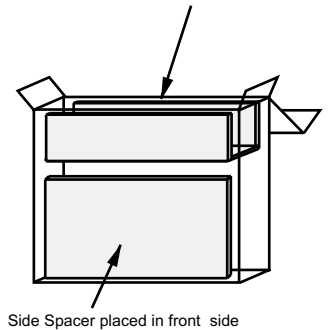
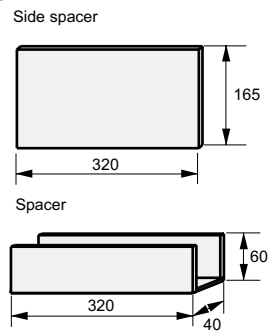
● Reel

1 reel holds 2000 ICs.

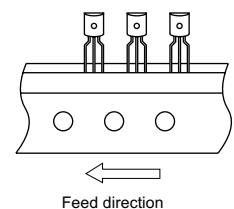


● Zigzag

[Type Z]



1 box holds 2500 ICs.

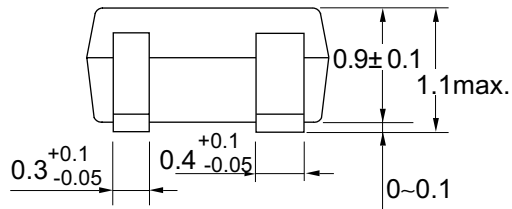
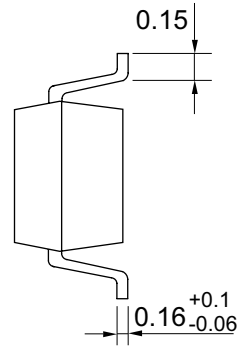
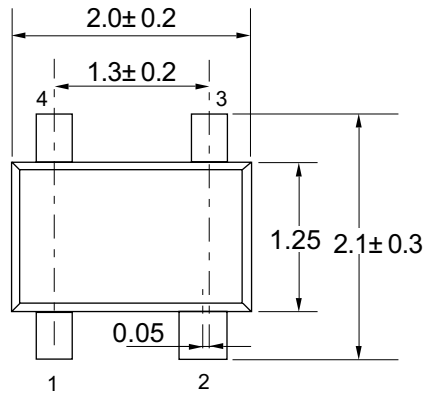


No. YF003-A-Z-SD-1.0

■ SC-82AB

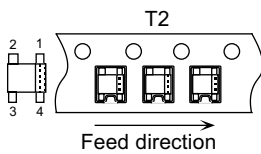
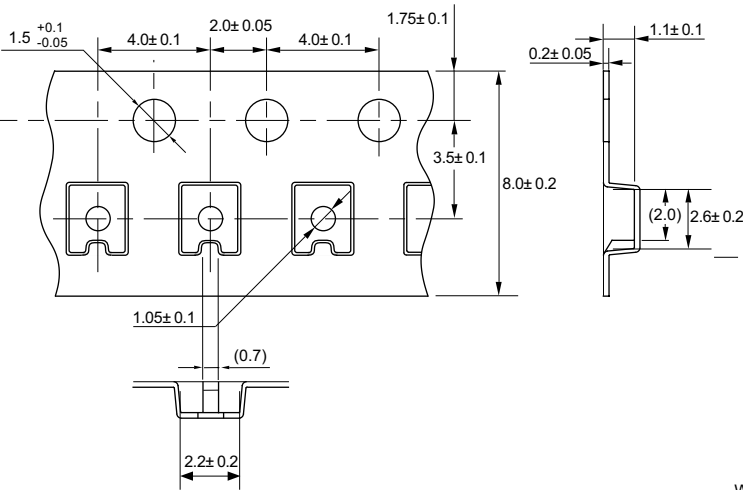
Unit:mm

●Dimensions



No. NP004-A-P-SD-1.0

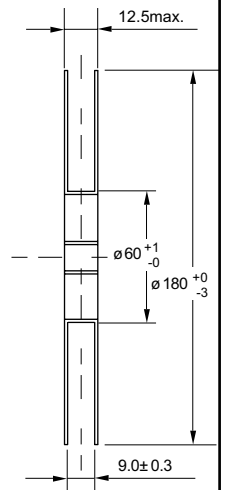
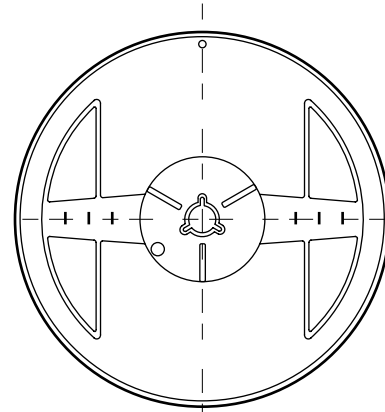
●Taping Specifications



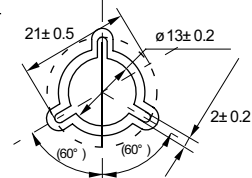
No. NP004-A-C-SD-1.0

●Reel Specifications

3000 pcs./ reel



Winding core



No. NP004-A-R-SD-1.0

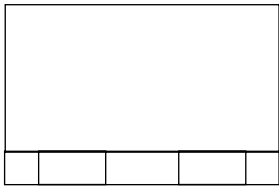
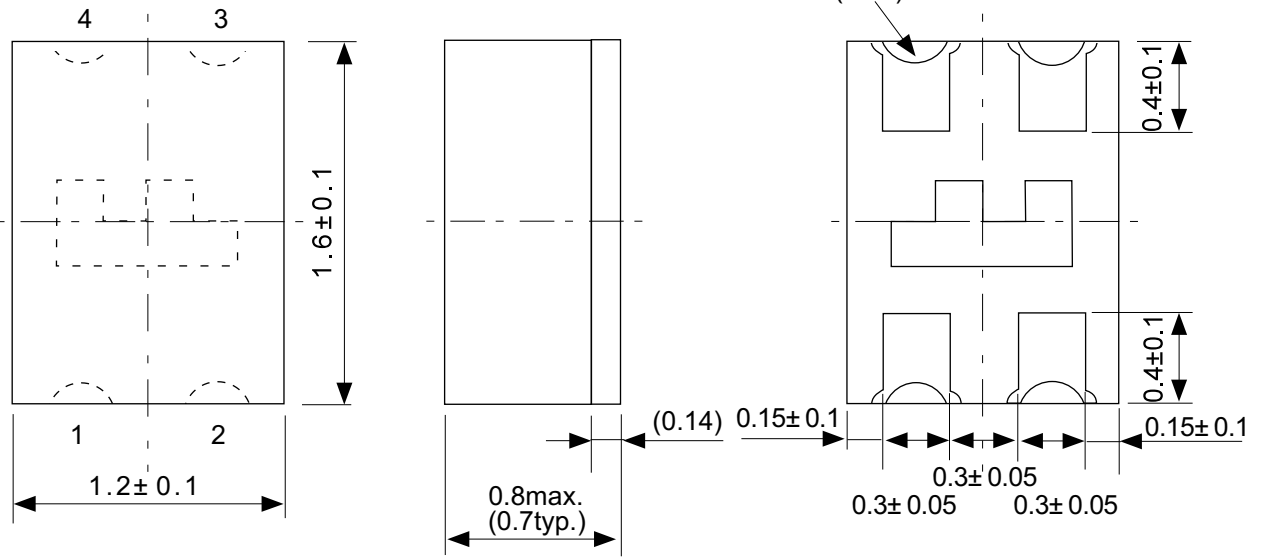
# 4-Pin SNB(B) [SNB4B(1216)]

BB004-A

010801

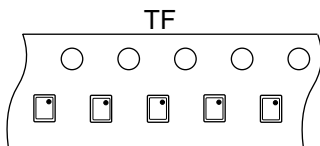
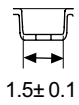
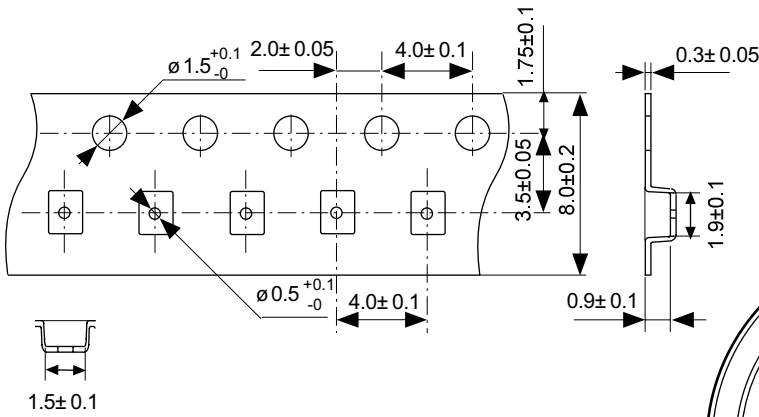
Unit : mm

## ● Dimensions



No. : BB004-A-P-SD-1.0

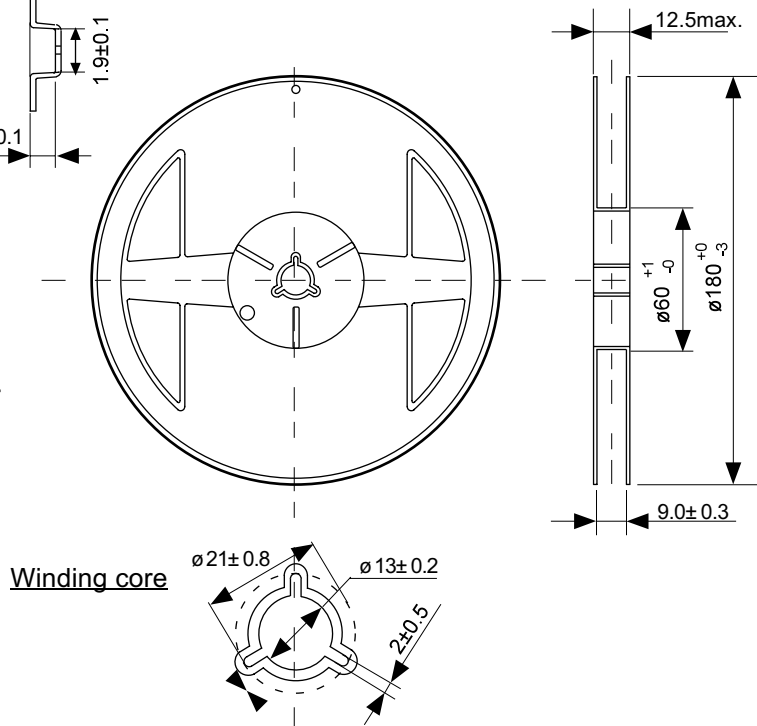
## ● Tape Specifications



Feed direction

## ● Reel Specifications

5000 pcs./ reel



No. : BB004-A-C-SD-1.0

No. : BB004-A-R-SD-1.0

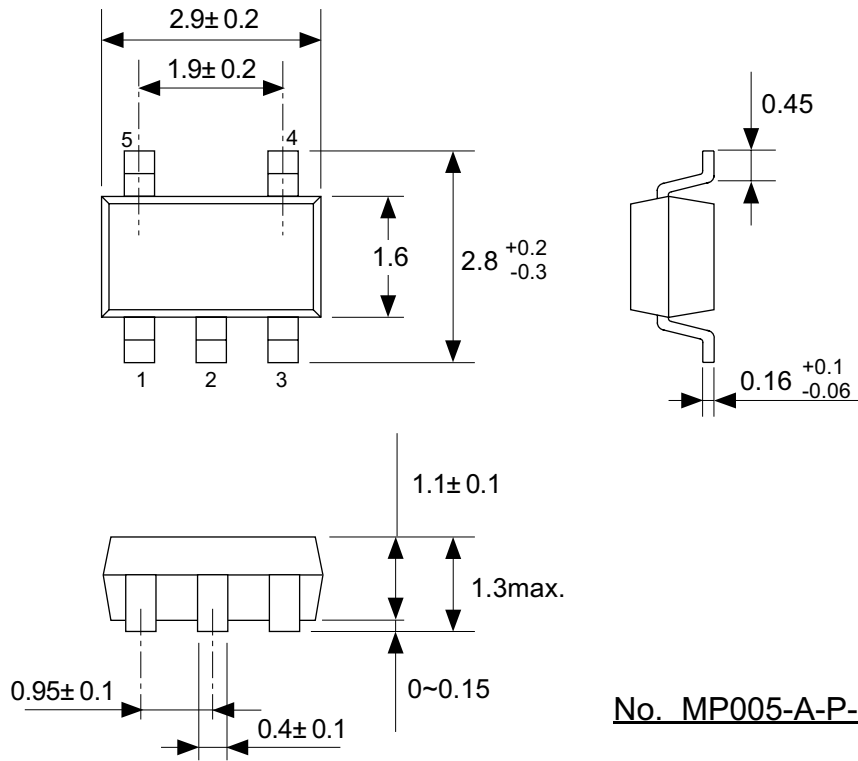
■ SOT-23-5

MP005-A

010801

● Dimensions

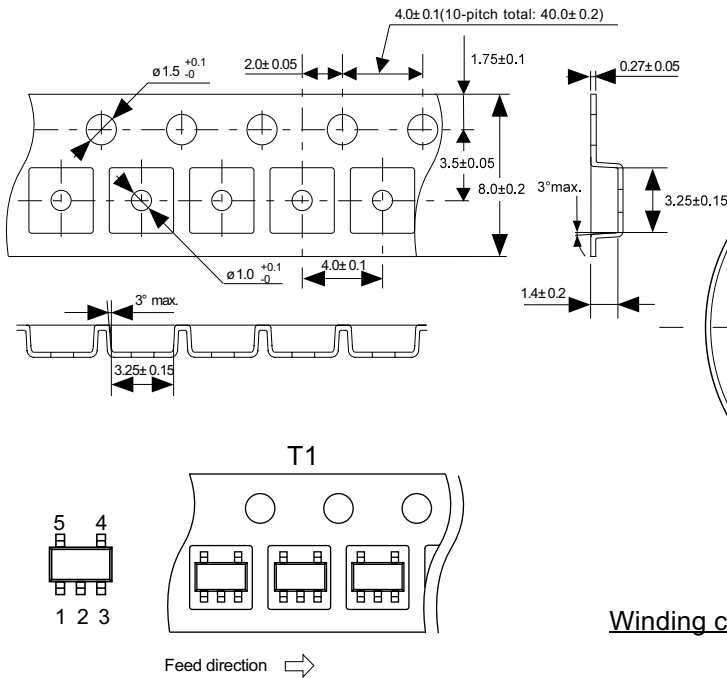
Unit : mm



No. MP005-A-P-SD-1.1

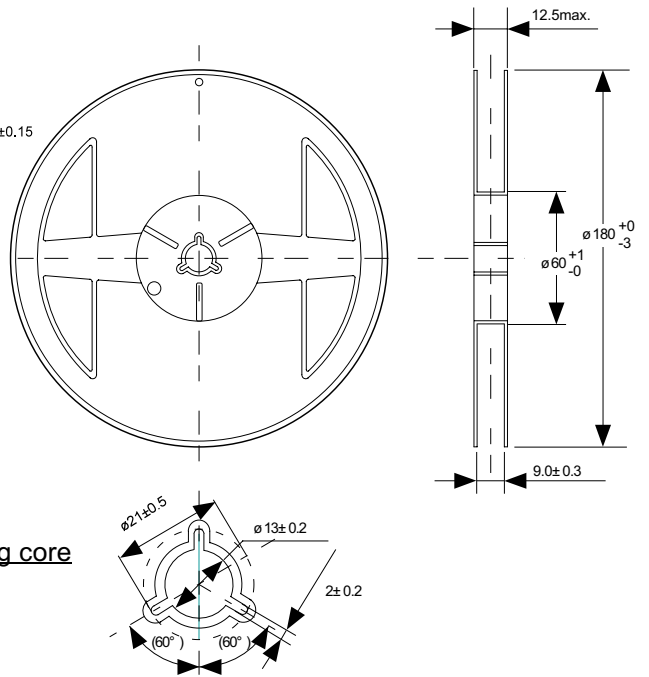
● Tape Specifications

● Reel Specifications



No. MP005-A-C-SD-1.0

3000 pcs./reel



No. MP005-A-R-SD-1.0

- The information described herein is subject to change without notice.
- Seiko Instruments Inc. is not responsible for any problems caused by circuits or diagrams described herein whose related industrial properties, patents, or other rights belong to third parties. The application circuit examples explain typical applications of the products, and do not guarantee the success of any specific mass-production design.
- When the products described herein are regulated products subject to the Wassenaar Arrangement or other agreements, they may not be exported without authorization from the appropriate governmental authority.
- Use of the information described herein for other purposes and/or reproduction or copying without the express permission of Seiko Instruments Inc. is strictly prohibited.
- The products described herein cannot be used as part of any device or equipment affecting the human body, such as exercise equipment, medical equipment, security systems, gas equipment, or any apparatus installed in airplanes and other vehicles, without prior written permission of Seiko Instruments Inc.
- Although Seiko Instruments Inc. exerts the greatest possible effort to ensure high quality and reliability, the failure or malfunction of semiconductor products may occur. The user of these products should therefore give thorough consideration to safety design, including redundancy, fire-prevention measures, and malfunction prevention, to prevent any accidents, fires, or community damage that may ensue.