

SHINMEI RELAYS

シグナルリレー / SIGNAL RELAYS

製品名
PART NO.

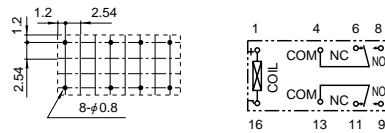
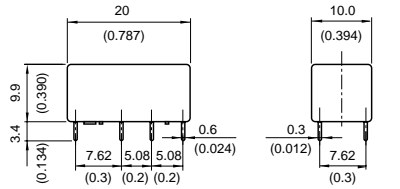
外形図
DIMENSIONS (mm)

個別仕様
PERFORMANCE

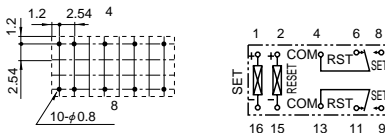
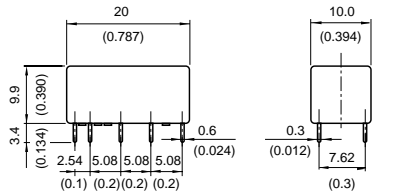
■ RSH



Single side stable
シングル・ステイブル型



2 coil latching
2コイルラッチングタイプ



RSH RELAYS

■特長

- ・高感度2極信号用小型リレー。
- ・超高感度型150mW。高感度型200mW。標準型400 mW。
- ・記憶機能を有したラッチングタイプも揃えています。
- ・接触信頼性に優れたツイン接点を採用。
- ・AgPd接点-Auクラッドタイプも対応可能です。
- ・UL File No.E128155
- ・CSA File No.180958 (LR93742)
- ・BAPT Certificate No. 609662

■FEATURES

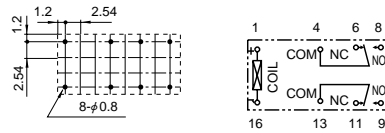
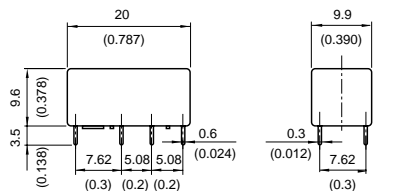
- ・ High sensitive 2 pole relay suitable for signal circuit.
- ・ Ultra-high sensitivity type 150mW, high sensitivity type 200mW, standard type 400mW.
- ・ Latching type relay provided with memory function is available, too.
- ・ Adopts twin contacts that are superior in contact reliability.
- ・ Gold-plated Silver palladium contact available, too.
- ・ UL File No.E128155
- ・ CSA File No.LR93742
- ・ BAPT Certificate No. 609662

DPDT (2C)	2A 30V DC 1A 120V AC	
最大開閉電圧 Max.switching voltage	220V DC, 250V AC	
最大開閉電力 Max.switching power	60W, 120VA	
定格消費電力 Electric power consumption	400mW (Standard) 200mW (High sensitive) 150mW (Ultra-high sensitive)	
耐電圧 Initial breakdown voltage	接点間 Between open contacts	1,000Vrms (1minute)
	接点-コイル間 Between contacts and coil	1,500Vrms (1minute)
機械的寿命 Mechanical Life	100,000,000 operations	
電気的寿命 Electrical Life	300,000 operations (2A 30V DC. 1A 125V AC)	

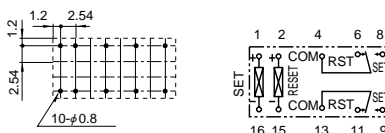
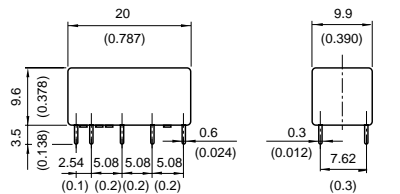
■ RSB



Single side stable
シングル・ステイブル型



2 coil latching
2コイルラッチングタイプ



RSB RELAYS

■特長

- ・2極信号用小型リレー。
- ・高感度型200mWと標準型400 mWを設定。
- ・耐圧性に優れたリレー。
- ・コイル 接点間 1,500VAC
- ・接点間 1,000VAC
- ・耐環境性に優れたシール構造。
- ・UL File No. E128155
- ・CSA File No. 700170
- ・BAPT Certificate No. 608150

■FEATURES

- ・ 2 pole relay suitable for signal circuit.
- ・ Standard (400mW) & High sensitive (200mW) type.
- ・ High breakdown voltage.
- ・ 1,500VAC Between coil and contact.
- ・ 1,000VAC Between open contact.
- ・ Sealed construction.
- ・ UL File No. E128155
- ・ CSA File No. LR700170
- ・ BAPT Certificate No. 608150

DPDT (2C)	2A 30V DC 1A 120V AC	
最大開閉電圧 Max.switching voltage	220V DC, 250V AC	
最大開閉電力 Max.switching power	60W, 120VA	
定格消費電力 Electric power consumption	400mW (Standard) 200mW (High sensitive)	
耐電圧 Initial breakdown voltage	接点間 Between open contacts	1,000Vrms (1minute)
	接点-コイル間 Between contacts and coil	1,500Vrms (1minute)
機械的寿命 Mechanical Life	100,000,000 operations	
電気的寿命 Electrical Life	300,000 operations (2A 30V DC. 1A 125V AC)	

SHINMEI RELAYS

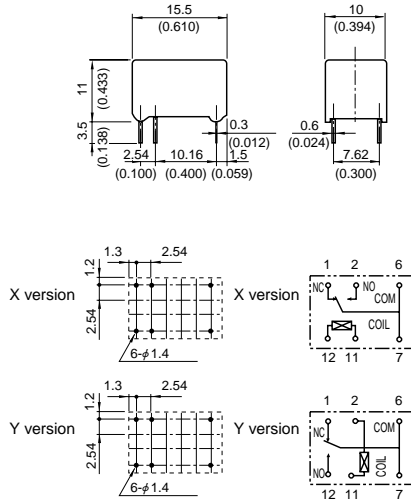
シグナルリレー / SIGNAL RELAYS

製品名
PART NO.

外形図
DIMENSIONS (mm)

個別仕様
PERFORMANCE

■ A5



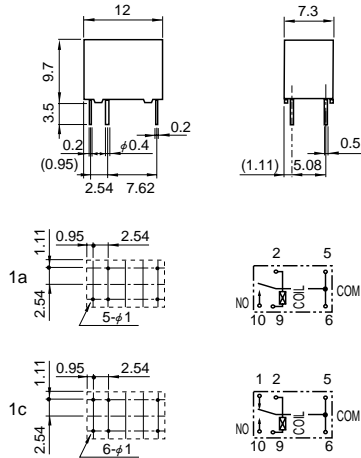
A5 RELAYS

■ FEATURES

- Standard (450mW) & High sensitive (201mW) type. X and Y terminal arrangement standard (1A). Heavy duty (2A) type are available.
- Sealed construction.
- UL File No. E128155
- CSA File No. 180958 (LR93742)

SPDT (1c)	1A 30V DC 0.5A 120V AC
最大開閉電圧 Max. switching voltage	120V AC 60V DC
最大開閉電力 Max. switching power	60VA, 30W
定格消費電力 Electric power consumption	450mW (Standard) 201mW (High sensitive)
耐電圧 Initial breakdown voltage	接点間 Between open contacts 500Vrms (1minute) 接点-コイル間 Between contacts and coil 1,000Vrms (1minute)
機械的寿命 Mechanical Life	10,000,000 operations
電気的寿命 Electrical Life	500,000 operations (1A 30V DC)

■ RSE



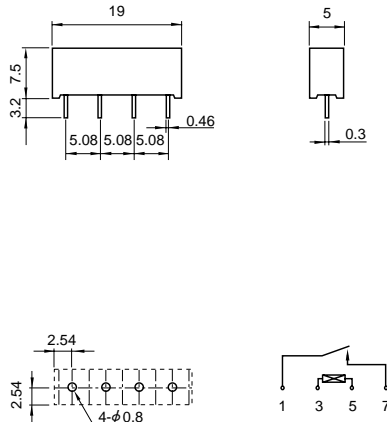
RSE RELAYS

■ FEATURES

- Ultra small size, high sensitive single pole relay.
- High sensitive (150mV), standard (200mV) & 280mW type.
- 50mW type available. (only 1a type)
- UL File No. 180958 (LR93742)
- BAPT Certificate No.610213

SPDT (1c) SPST (1a)	1A 30V DC, 0.3A 60VDC 0.5A 120V AC
最大開閉電圧 Max. switching voltage	60V DC, 125V AC
最大開閉電力 Max. switching power	60VA, 30W
定格消費電力 Electric power consumption	200mW (Standard) 50, 150mW (High sensitive) 280mW (General-purpose type)
耐電圧 Initial breakdown voltage	接点間 Between open contacts 500Vrms (1minute) 接点-コイル間 Between contacts and coil 1,000Vrms (1minute)
機械的寿命 Mechanical Life	10,000,000 operations (at 180cpm)
電気的寿命 Electrical Life	100,000 operations (1A 30VDC, 0.3A 60VDC, 0.5A 125VAC)

■ RSJ



RSJ RELAYS

■ FEATURES

- Direct drive can be conducted by TTL and CMOS IC.
- Since contact point is enclosed in the glass tube together with inert gas (nitrogen), it excels in its durability to the environment and in contact reliability.
- UL File No. E128155
- BAPT Certificate No. 609759

SPST (1a)	0.5A 20V DC 0.1A 100V AC
最大開閉電圧 Max. switching voltage	100V DC, 100V AC
最大開閉電力 Max. switching power	10VA, 10W
定格消費電力 Electric power consumption	50mW (3 ~ 6V) 144mW (9 ~ 24V)
耐電圧 Initial breakdown voltage	接点間 Between open contacts DC 250Vrms (1minute) 接点-コイル間 Between contacts and coil DC 1,400Vrms (1minut)
機械的寿命 Mechanical Life	10,000,000 operations (at 3000cpm)
電気的寿命 Electrical Life	100,000 operations