

# STK4026X SERIES

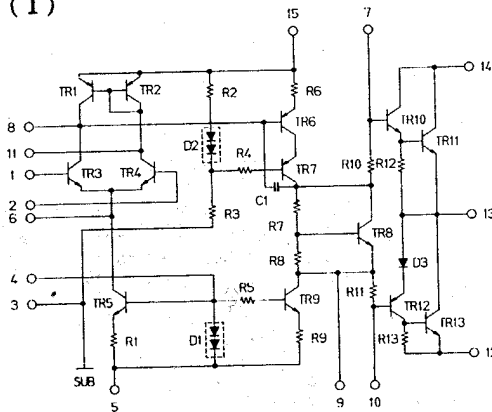
• High Grade Type • 1ch/1Package Dual Power Supply

Type No Series Name シリーズ名	Maximum Ratings 最大定格		Recommended Operation Condition 推奨動作条件			Operation Characteristics (Vcc: Recommended Condition) 動作特性 (推奨条件) Circuit Application(1)					
	Vcc max	Tc max	Supply Vol (Vcc) (RL=8Ω)	Supply Vol (Vcc) (RL=4Ω)	Closed Loop Gain	Po max/RL=8Ω f=20~20KHz		Po max/RL=4Ω f=1KHz		THD(8Ω) f=1KHz Po=1W	
						THD	THD	THD			
V	°C	V	V	dB	Wmin	VG=26dB	VG=40dB	Wmin	VG=40dB	VG=40dB	
STK 4026X	±39.0	125	±27.0	±24.0	26~45	25	0.008	0.018	25	0.04	0.018
STK 4028X	±42.0	125	±29.0	±26.0	26~45	30	0.008	0.018	35	0.04	0.018
STK 4030X	±46.0	125	±32.0	±29.0	26~45	35	0.008	0.018	40	0.04	0.018
STK 4032X	±49.0	125	±33.5	±30.0	26~45	40	0.003	0.018	45	0.04	0.008
STK 4034X	±50.0	125	±35.0	±31.0	26~45	45	0.003	0.018	50	0.04	0.008
STK 4036X	±52.0	125	±37.0	±31.5	26~45	50	0.003	0.018	55	0.04	0.008
STK 4038X	±57.0	125	±39.5	±33.5	26~45	60	0.003	0.018	60	0.04	0.008
STK 4040X	±62.0	125	±42.5	±36.0	26~45	70	0.003	0.018	70	0.04	0.008
STK 4042X	±67.0	125	±46.0	*	26~45	80	0.003	0.018	80	*	0.008
STK 4044X	±74.0	125	±51.0	*	26~45	100	0.003	0.018	100	*	0.008
STK 4046X	±80.0	125	±55.0	*	26~45	120	0.003	0.018	120	*	0.008
STK 4048X	±86.0	125	±60.0	*	26~45	150	0.003	0.018	150	*	0.008

\* Please confirm other specification concerning (RL=4Ω)  
RL=4Ω仕様については、別途御確認下さい。

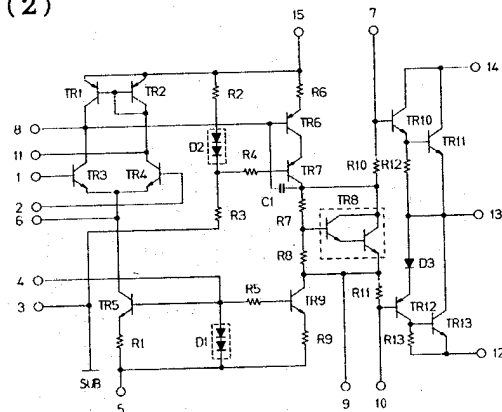
## ■ EQUIVALENT CIRCUIT

(1)



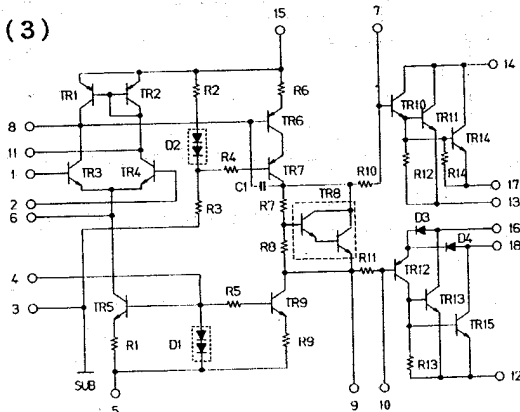
( STK4026 X~4040X )

(2)



( STK4042 X~4044X )

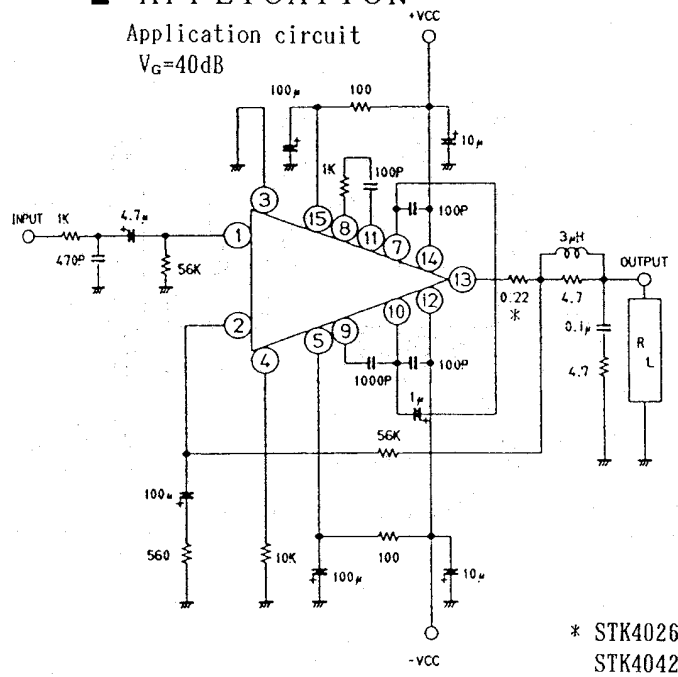
(3)



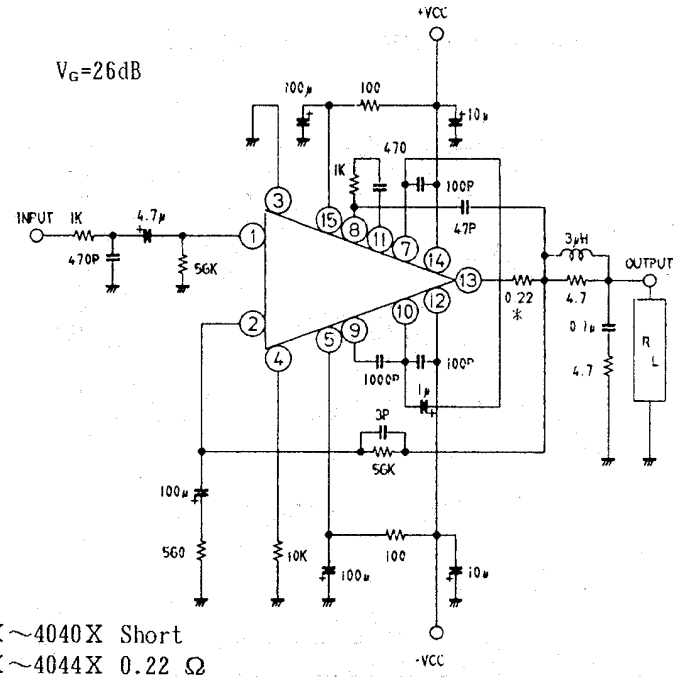
( STK4046 X~4048X )

■ APPLICATION

Application circuit  
V<sub>G</sub>=40dB

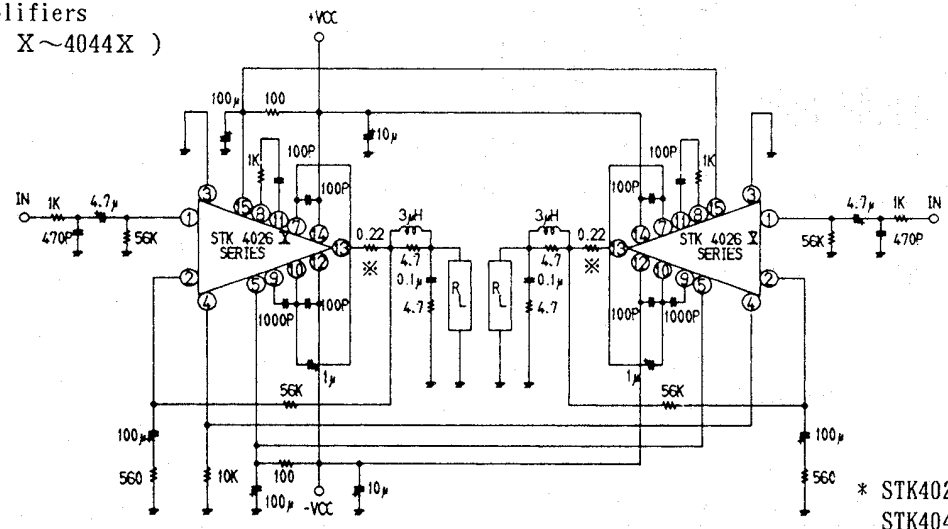


V<sub>G</sub>=26dB



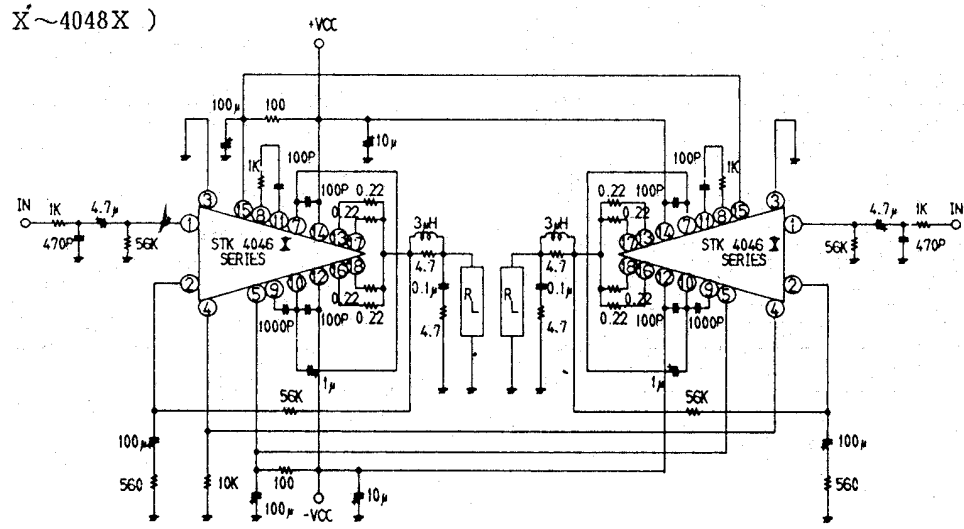
\* STK4026 X~4040X Short  
STK4042 X~4044X 0.22 Ω

Stereo amplifiers  
( STK4026 X~4044X )

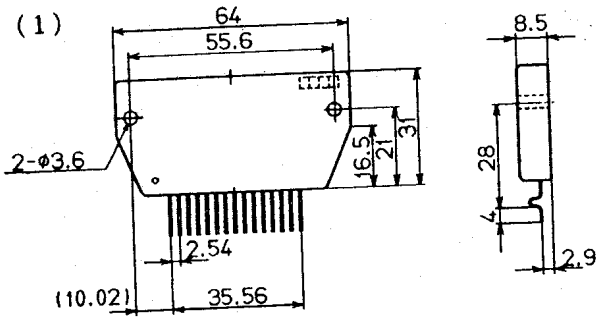


\* STK4026 X~4040X Short  
STK4042 X~4044X 0.22 Ω

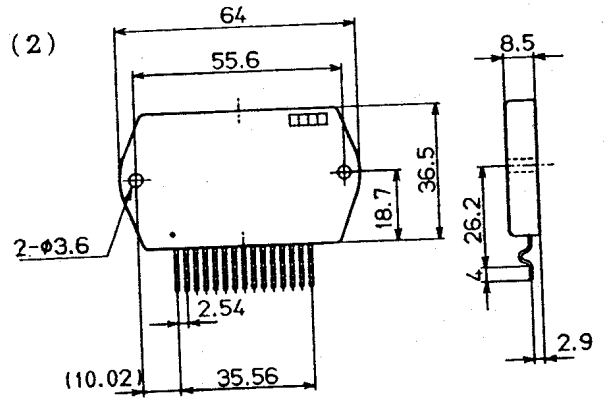
( STK4046 X~4048X )



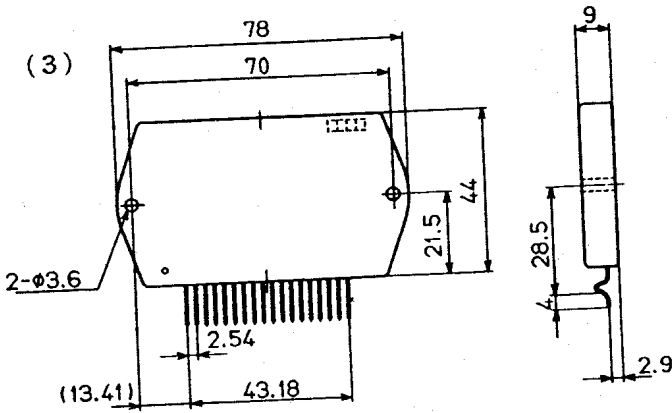
■ PACKAGE DIMENSION



( STK4026 X~4040 X )



( STK4042 X~4044 X )



( STK4046 X~4048 X )

■ CATALOG DATA

