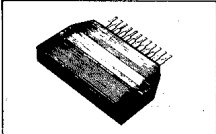


No.1090

STK8260 II



Thick Film Hybrid Integrated Circuit
 60W MIN AF POWER AMP. OUTPUT STAGE (DUAL SUPPLIES)
 WITH BUILT-IN QUASI CLASS A BIAS CIRCUIT

Features

1. Switching distortion peculiar to class B amp. is zero.
2. Since power stage, bias controller, and temperature compensator are incorporated on the IMST substrate having good thermal conduction, no complicated temperature compensation using thermistor, etc. is required, thereby enabling good thermal stability.
3. By setting bias current externally, optimum conditions can be set.
4. 3-stage Dralington power pack.

Maximum Ratings at Ta=25°C

Parameter	Symbol	Value	Unit
Maximum Supply Voltage	V _{CCmax}	±56	V
Thermal Resistance	θ _{j-c}	1.3	°C/W
Collector Current	I _C	8	A
Junction Temperature	T _j	150	°C
Storage Temperature	T _{stg}	-30 to +105	°C
Available Time for Load Shorted	t _s	V _{CC} =±40V*, f=50Hz, Po=60W, R _L =8ohm	1 sec

Recommended Operating Conditions at Ta=25°C

Parameter	Value	Unit
Recommended Supply Voltage	±40	V
Load Resistance	8	ohm

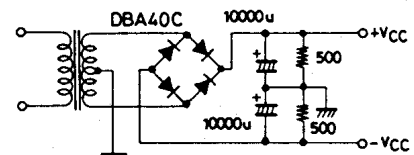
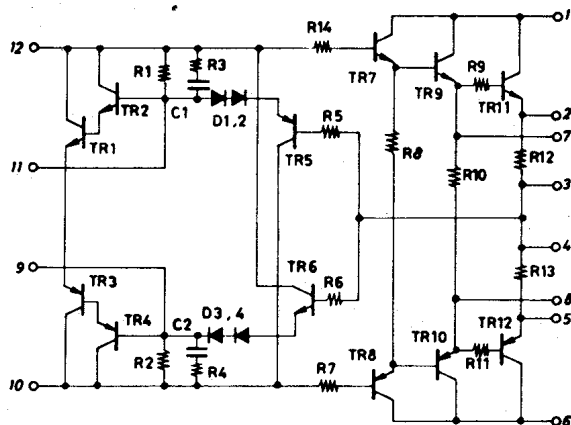
Operating Characteristics at Ta=25°C, V_{CC}=±40V, R_L=8ohm, R_g=600ohm, at specified test circuit (based on Sample Application Circuit)

Parameter	Symbol	Value	Unit
Quiescent Current	I _{cco}	V _{CC} =±48V**	70 mA
Output Power	P _o	THD=0.005%, f=20Hz to 20kHz	60 W
Total Harmonic Distortion	THD(1)	P _o =60W, f=20Hz to 20kHz	0.0040.005 %
		P _o =1W, f=20Hz to 20kHz	0.01 %
Emitter Resistance	R _E	0.18 0.22 0.30	ohm

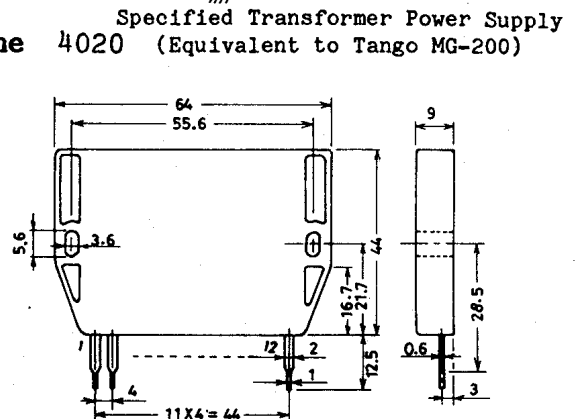
*:For measuring available time for load shorted, use the specified transformer power supply shown right.

** :Maximize semifixed resistor (VR1).

Equivalent circuit



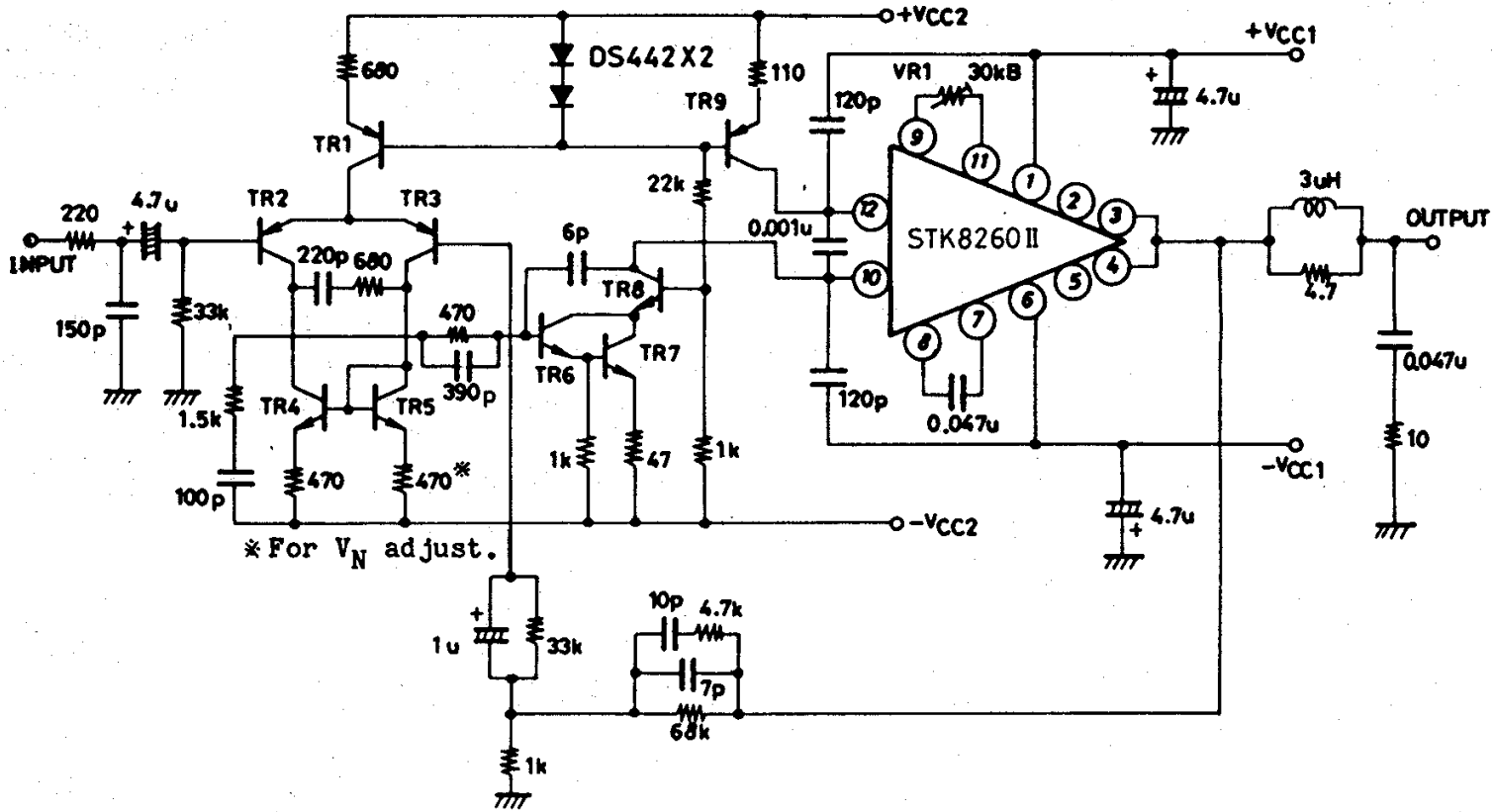
Case Outline (unit:mm)



These specifications are subject to change without notice.

STK8260II

Sample Application Circuit : 60W min AF Power Amp.



Information furnished by SANYO is believed to be accurate and reliable. However, no responsibility is assumed by SANYO for its use; nor for any infringements of patents or other rights of third parties which may result from its use, and no license is granted by implication or otherwise under any patent or patent rights of SANYO.