

# 1 AMP ULTRAFAST RECOVERY DIODES

## FEATURES

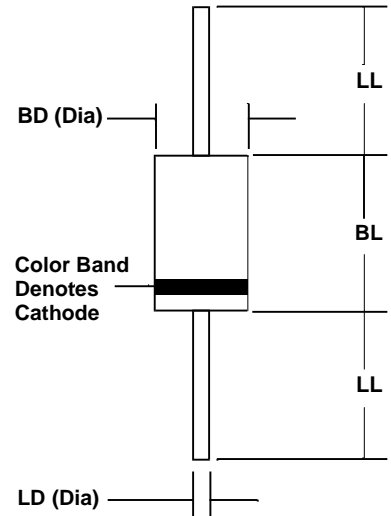
- Low switching noise
- Low forward voltage drop
- Low thermal resistance
- High switching capability
- High surge capability
- High reliability

## MECHANICAL SPECIFICATION

ACTUAL SIZE OF  
DO-41 PACKAGE

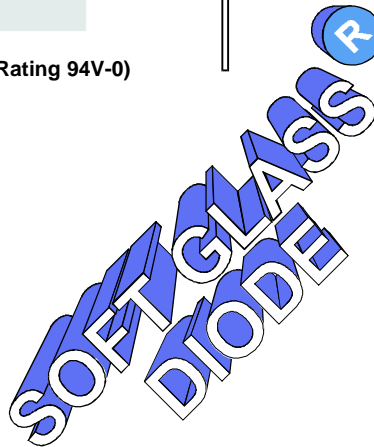
SERIES UFR100 - UFR110

DO - 41



## MECHANICAL DATA

- Case: JEDEC DO-41 molded plastic (U/L Flammability Rating 94V-0)
- Terminals: Plated axial leads
- Solderability: Per MIL-STD 202 Method 208 guaranteed
- Polarity: Color band denotes cathode
- Mounting Position: Any
- Weight: 0.013 Ounces (0.35 Grams)



Sym	Minimum		Maximum	
	In	mm	In	mm
BL	0.160	4.1	0.205	5.2
BD	0.103	2.6	0.107	2.7
LL	1.00	25.4		
LD	0.028	0.71	0.034	0.86

## MAXIMUM RATINGS & ELECTRICAL CHARACTERISTICS

Ratings at 25 °C ambient temperature unless otherwise specified.  
 Single phase, half wave, 60Hz, resistive or inductive load.  
 For capacitive loads, derate current by 20%.

PARAMETER (TEST CONDITIONS)	SYMBOL	RATINGS										UNITS
		UFR 100	UFR 101	UFR 102	UFR 103	UFR 104	UFR 105	UFR 106	UFR 108	UFR 110		
Series Number												
Maximum DC Blocking Voltage	VRM	50	100	200	300	400	500	600	800	1000		
Maximum RMS Voltage	VRMS	35	70	140	210	280	350	420	560	700	VOLTS	
Maximum Peak Recurrent Reverse Voltage	VRRM	50	100	200	300	400	500	600	800	1000		
Average Forward Rectified Current @ TA = 55 °C	IO	1										AMPS
Peak Forward Surge Current ( 8.3mS single half sine wave superimposed on rated load)	IFSM	35										
Maximum Forward Voltage at 1 Amp DC	VFM	1.0					1.7					VOLTS
Maximum Average DC Reverse Current @ Tc = 25 °C	IRM	2.0										µA
At Rated DC Blocking Voltage @ Tc = 100 °C		50										
Typical Thermal Resistance, Junction to Ambient	RθJA	50										°C/W
Typical Junction Capacitance (Note 1)	CJ	20					15					pF
Maximum Reverse Recovery Time (IF=0.5A, IR=1A, IRR=0.25A)	TRR	50							75			nSec
Junction Operating and Storage Temperature Range	TJ, TSTG	-65 to +150										°C

NOTES: (1) Measured at 1 MHz and an applied reverse voltage of 4 volts.

4.9710000