

3 AMP ULTRAFAST RECOVERY DIODES

FEATURES

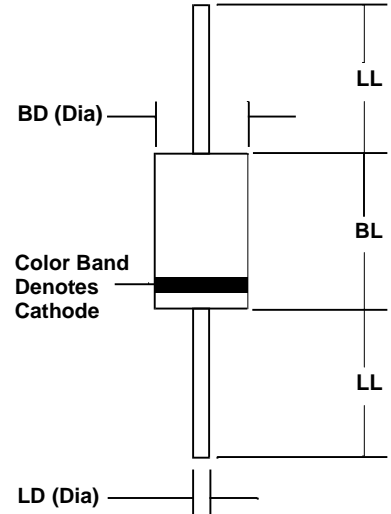
- Low switching noise
- Low forward voltage drop
- Low thermal resistance
- High switching capability
- High surge capability
- High reliability

MECHANICAL SPECIFICATION

ACTUAL SIZE OF
DO-27 PACKAGE

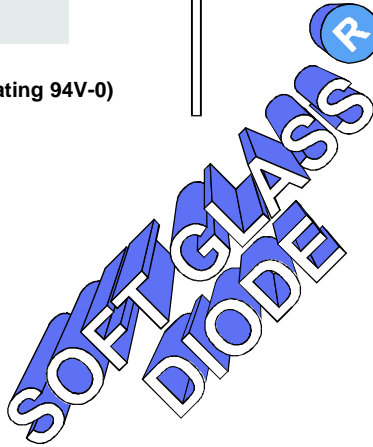
SERIES UFR300 - UFR310

DO - 27



MECHANICAL DATA

- Case: JEDEC DO-27 molded plastic (U/L Flammability Rating 94V-0)
- Terminals: Plated axial leads
- Solderability: Per MIL-STD 202 Method 208 guaranteed
- Polarity: Color band denotes cathode
- Mounting Position: Any
- Weight: 0.04 Ounces (1.12 Grams)



Sym	Minimum		Maximum	
	In	mm	In	mm
BL			0.365	9.28
BD			0.205	5.2
LL	1.00	25.4		
LD	0.048	1.2	0.052	1.3

MAXIMUM RATINGS & ELECTRICAL CHARACTERISTICS

Ratings at 25 °C ambient temperature unless otherwise specified.
 Single phase, half wave, 60Hz, resistive or inductive load.
 For capacitive loads, derate current by 20%.

PARAMETER (TEST CONDITIONS)	SYMBOL	RATINGS										UNITS
		UFR 300	UFR 301	UFR 302	UFR 303	UFR 304	UFR 305	UFR 306	UFR 308	UFR 310		
Series Number												
Maximum DC Blocking Voltage	V _{RM}	50	100	200	300	400	500	600	800	1000	VOLTS	
Maximum RMS Voltage	V _{RMS}	35	70	140	210	280	350	420	560	700		
Maximum Peak Recurrent Reverse Voltage	V _{RRM}	50	100	200	300	400	500	600	800	1000		
Average Forward Rectified Current @ T _A = 55 °C	I _O	3										AMPS
Peak Forward Surge Current (8.3mS single half sine wave superimposed on rated load)	I _{FSM}	150										
Maximum Forward Voltage at 3 Amps DC	V _{FM}	1.0					1.4					VOLTS
Maximum Average DC Reverse Current @ T _C = 25 °C	I _{RM}	10										μA
At Rated DC Blocking Voltage @ T _C = 100 °C		50										
Typical Thermal Resistance, Junction to Lead	R _{θJL}	20										°C/W
Typical Junction Capacitance (Note 1)	C _J	75					50					pF
Maximum Reverse Recovery Time (I _F =0.5A, I _R =1A, I _{RR} =0.25A)	T _{RR}	50					75					nSec
Junction Operating and Storage Temperature Range	T _J , T _{STG}	-65 to +150										°C

NOTES: (1) Measured at 1 MHz and an applied reverse voltage of 4 volts.

4.9710003A