

Gold Bonded

1N100A

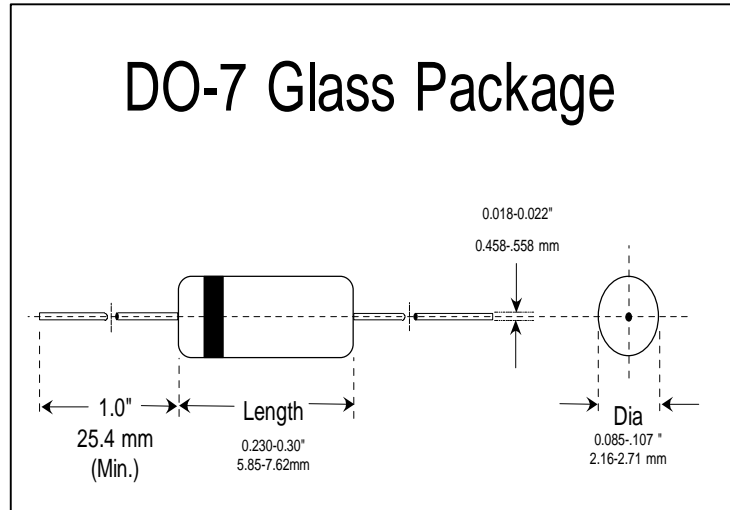
Germanium Diodes

Optimized for Radio Frequency Response

Can be used in many AM, FM and TV-IF applications, replacing point contact devices.

Applications

- AM/FM detectors
- Ratio detectors
- FM discriminators
- TV audio detectors
- RF input probes
- TV video detectors



Features

- Lower leakage current
- Flat junction capacitance
- High mechanical strength
- At least 1 million hours MTBF
- BKC's Sigma-Bond™ plating for problem free solderability

Absolute Maximum Ratings at T_{amb} = 25 °C unless otherwise specified

Parameter	Symbols	Min.	Max.	Units
Peak Inverse Voltage	PIV	--	100	Volts
Peak Forward Surge Current Non-Repetitive, t = 1 Second	I _{FSM}		0.4	Amps
Peak Forward Surge Current Repetitive	I _{FSR}		250	mA
Average Rectified Forward Current	I _O		70	mA
Operating Temperatures	T _{J & Op}	-78	+90	°C
Storage Temperatures	T _{J & STG}	-78	+100	°C

Electrical Characteristics at T_{amb} = 25 °C

Parameter	Test Conditions	Symbols	Min.	Typ.	Max.	Units
Forward Voltage Drop	I _F = 40mA	V _F			1.0	Volts
Reverse Leakage	V _R = 5 Volts	I _R			5	µA
Reverse Leakage	V _R = 50 Volts	I _R			50	µA
Breakdown Voltage	I _p = 1.0mA	PIV	100			Volts



6 Lake Street - Lawrence, MA 01841

Tel: 978-681-0392 - Fax: 978-681-9135



LittleDiode supplies new, hard to find or obsolete electronic components and semiconductors all over the world.

With over two million different components listed you are sure to find the part you need.

Feel free to visit us today at our online store:

LittleDiode.com

Looking forward to providing you with the best possible service.