

Gold Bonded**1N276****Germanium Diodes***Optimized for Radio Frequency Response*

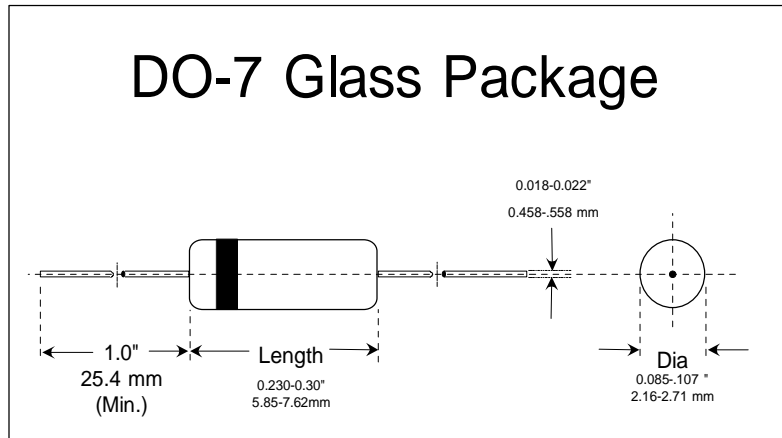
Can be used in many AM, FM and TV-IF applications, replacing point contact devices.

Applications

- AM/FM detectors
- Ratio detectors
- FM discriminators
- TV audio detectors
- RF input probes
- TV video detectors

Features

- Lower leakage current
- Flat junction capacitance
- High mechanical strength
- At least 1 million hours MTBF
- BKC's Sigma-Bond™ plating for problem free solderability

Absolute Maximum Ratings at $T_{amb} = 25\text{ }^{\circ}\text{C}$ Unless Otherwise Specified

Parameter	Symbols	Min.	Max.	Units
Peak Inverse Voltage	PIV	**	70	Volts
Surge Current, t = 1 Second	I_S		0.4	Amps
Peak Operating Current	I_{FSR}		270	mA
Operating and Storage Temperatures	$T_{J\&STG}$	-60	+90	$^{\circ}\text{C}$

Electrical Characteristics at $T_{amb} = 25\text{ }^{\circ}\text{C}$

Parameter	Test Conditions	Symbols	Min.	Typ.	Max.	Units
Forward Voltage Drop	$I_F = 40\text{ mA}$	V_F		**	1.0	Volts
Breakdown Voltage	$I_R = 1.0\text{ mA}$	PIV		**	75	Volts
Reverse Leakage	$V_R = 10\text{ Volts}$	I_R		**	5.0	μA
Reverse Leakage	$V_R = 10\text{ Volts}, T_{amb} = 75\text{ }^{\circ}\text{C}$	I_R		**	100	μA
Junction Capacitance	f = 1MHz, $V_R = 0\text{ volt}$	C_J		0.8		pF
Reverse Recovery Time	trr (If = 5 mA, Irr (rec.)@0.5 mA, Vr= -40 Volts)	trr	--	***	300	nSec
Forward Recovery Voltage	If = 50 mA Peak Sine wave 100 KHz	Vfr	--	***	3.0	Volts



6 Lake Street - Lawrence, MA 01841

Tel: 978-681-0392 - Fax: 978-681-9135



LittleDiode supplies new, hard to find or obsolete electronic components and semiconductors all over the world.

With over two million different components listed you are sure to find the part you need.

Feel free to visit us today at our online store:

LittleDiode.com

Looking forward to providing you with the best possible service.