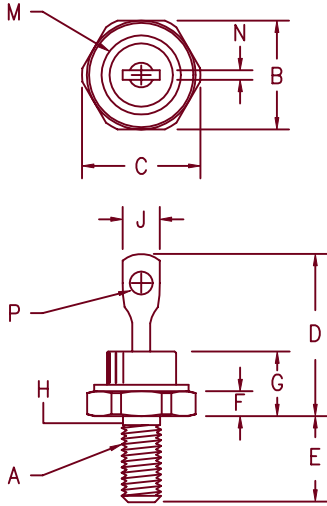


25 Amp Schottky Rectifier 1N6095-1N6096



- Notes:
1. 10-32 UNF3A threads
 2. Full threads within 2 1/2 threads.
 3. Stud is Cathode.

Dim.	Inches		Millimeter		Notes
	Minimum	Maximum	Minimum	Maximum	
A	---	---	---	---	1,3
B	.423	.438	10.74	11.13	
C	---	.505	---	12.83	
D	.600	.800	15.24	20.32	
E	.422	.453	10.72	11.51	
F	.075	.175	1.91	4.45	
G	---	.405	---	10.29	
H	.163	.189	4.14	4.80	2
J	---	.250	---	6.35	
M	.265	.350	6.73	8.89	Dia.
N	.020	.065	.510	1.65	
P	.060	.095	1.52	2.41	Dia.

DO-203AA (D04)

Microsemi Catalog Number	Working Peak Reverse Voltage	Repetitive Peak Reverse Voltage
1N6095	30V	30V
1N6096	40V	40V

- Schottky Barrier Rectifier
- Guard Ring Protection
- Low Forward Voltage
- VRRM - 30 & 40 Volts
- 25 Amperes
- Reverse Energy Tested

Electrical Characteristics

Average forward current	$I_{F(AV)}$ 25 Amps	$T_C = 70^\circ\text{C}$, half sine wave, $R_{\theta JC} = 2.0^\circ\text{C/W}$
Maximum surge current	I_{FSM} 400 Amps	8.3 ms, half sine
Max repetitive peak reverse current	$I_{R(OV)}$ 2 Amps	$f = 1 \text{ KHz}$, 25°C , 1 μsec square wave
Max peak forward voltage	V_{FM} .86 Volts	$I_{FM} = 78.5\text{A}$: $T_C = 70^\circ\text{C}^*$
Max peak forward voltage	V_{FM} .60 Volts	$I_{FM} = 5\text{A}$: $T_J = 25^\circ\text{C}^*$
Max peak reverse current	I_{RM} 250 mA	V_{RRM} , $T_J = 125^\circ\text{C}^*$
Max peak reverse current	I_{RM} 1.5 mA	V_{RRM} , $T_J = 25^\circ\text{C}$
Max junction capacitance	C_J 6000 pF	$V_R = 1.0\text{V}$, $T_J = 25^\circ\text{C}$

*Pulse test: Pulse width 300 μsec , Duty cycle 2%

Thermal and Mechanical Characteristics

Storage temp range	TSTG	-65°C to 150°C
Operating junction temp range	T_J	-65°C to 150°C
Max thermal resistance	$R_{\theta JC}$	2.0°C/W junction to case
Typical thermal resistance	$R_{\theta CS}$	0.5°C/W case to sink
Max mounting torque		15 inch pounds maximum
Weight		0.2 ounces (6.0 grams) typical

1N6095-1N6096

Figure 1
Typical Forward Characteristics

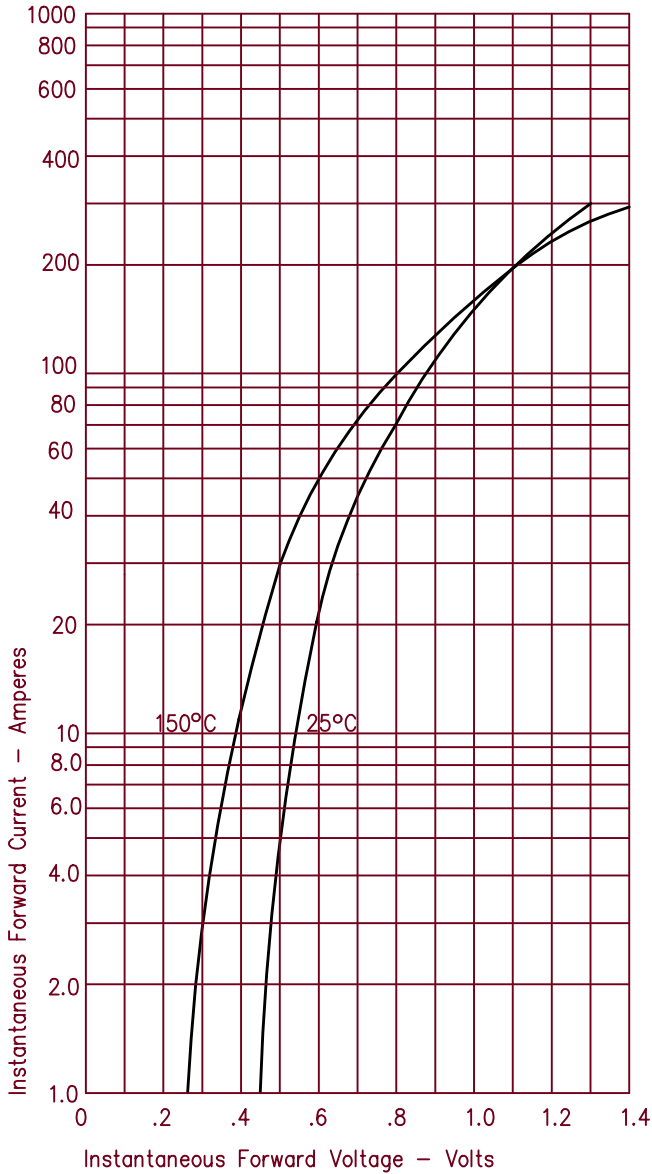


Figure 3
Typical Junction Capacitance

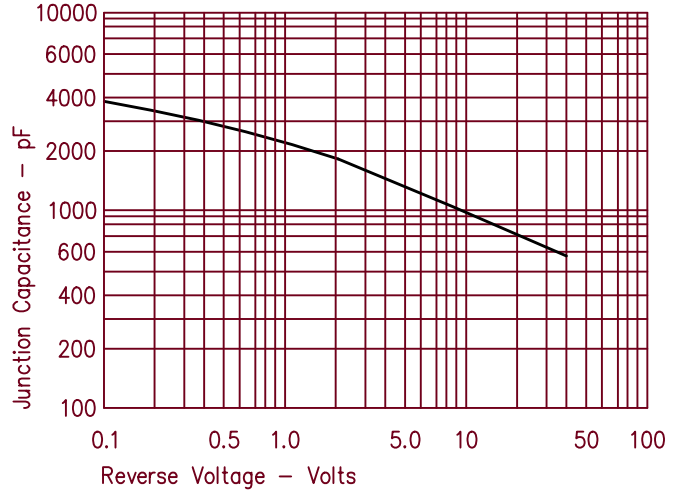


Figure 4
Forward Current Derating

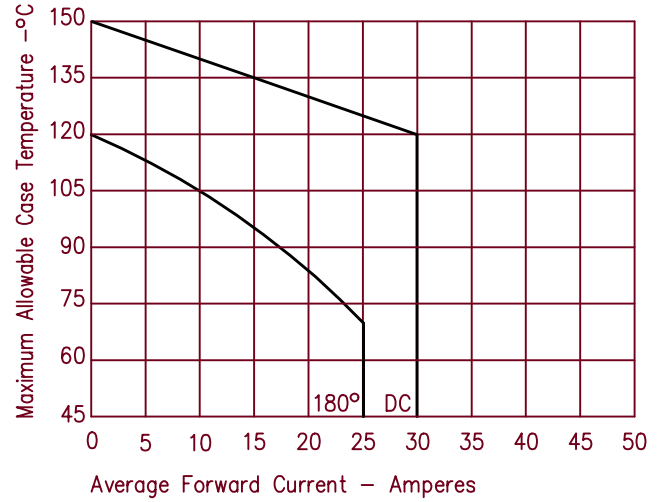


Figure 2
Typical Reverse Characteristics

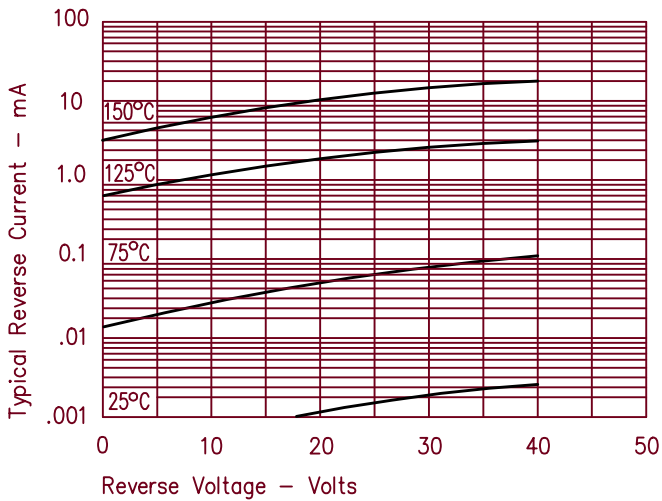
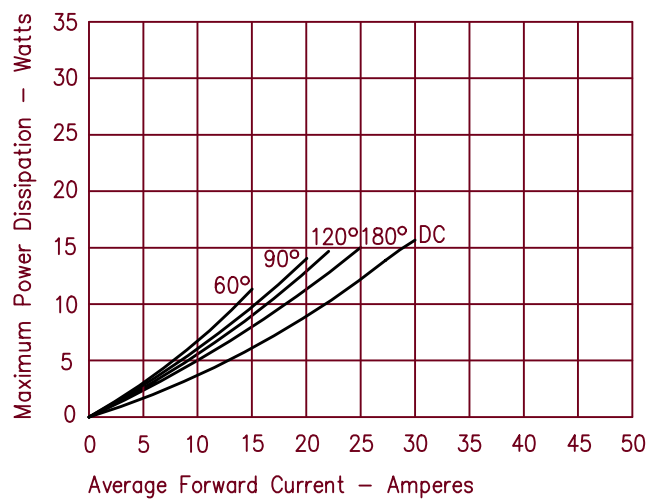


Figure 5
Maximum Forward Power Dissipation





LittleDiode supplies new, hard to find or obsolete electronic components and semiconductors all over the world.

With over two million different components listed you are sure to find the part you need.

Feel free to visit us today at our online store:

LittleDiode.com

Looking forward to providing you with the best possible service.