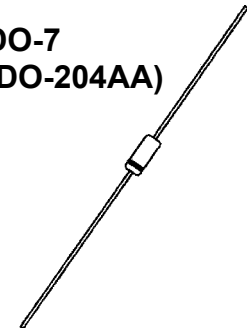


**DESCRIPTION**

The popular 1N935 thru 1N940B series of Zero-TC Reference Diodes provides a selection of 9.0 V nominal voltages and temperature coefficients to as low as 0.0002%/°C for minimal voltage change with temperature when operated at 7.5 mA. These glass axial-leaded DO-7 reference diodes are also available in JAN, JANTX, and JANTXV military qualifications. Microsemi also offers numerous other Zener Reference Diode products for a variety of other voltages from 6.2 V to 200 V.

**APPEARANCE**

**DO-7  
(DO-204AA)**



**IMPORTANT:** For the most current data, consult MICROSEMI's website: <http://www.microsemi.com>

**FEATURES**

- JEDEC registered 1N935 thru 1N940 series
- Standard reference voltage of 9.0V +/- 5%
- 1N935B, 937B, 938B, 939B, 940B also have military qualification to MIL-PRF-19500/156 up to the JANTXV level by adding JAN, JANTX, or JANTXV prefixes to part numbers as well as "-1" suffix, e.g. JANTX1N938B-1, etc.
- Internal metallurgical bonds
- JANS Equivalent available via SCD
- Radiation Hardened devices available by changing "1N" prefix to "RH", e.g. RH938B, RH 940B, etc. Also consult factory for "RH" data sheet brochure

**APPLICATIONS / BENEFITS**

- Provides minimal voltage changes over a broad temperature range
- For instrumentation and other circuit designs requiring a stable voltage reference
- Maximum temperature coefficient selections available from 0.01%/°C to 0.0002%/°C
- Tight voltage tolerances available with nominal voltage of 9.2 V by adding tolerance 1%, 2%, 3%, etc. after the part number for further identification, e.g. 1N938B-2%, 1N940B-1%, 1N939B-1-1%, etc.
- Flexible axial-leaded mounting terminals
- Nonsensitive to ESD per MIL-STD-750 Method 1020

**MAXIMUM RATINGS**

- Operating & Storage Temperature: -65°C to +175°C
- DC Power Dissipation: 500 mW @ T<sub>L</sub> = 25°C and maximum current I<sub>ZM</sub> of 50 mA. NOTE: For optimum voltage-temperature stability, I<sub>Z</sub> = 7.5 mA (less than 75 mW in dissipated power)
- Solder temperatures: 260 °C for 10 s (maximum)

**MECHANICAL AND PACKAGING**

- CASE: Hermetically sealed glass case with DO-7 (DO-204AA) package
- TERMINALS: Tin-lead plated and solderable per MIL-STD-750, Method 2026
- MARKING: Part number and cathode band
- POLARITY: Reference diode to be operated with the banded end positive with respect to the opposite end
- TAPE & REEL option: Standard per EIA-296 (add "TR" suffix to part number)
- WEIGHT: 0.2 grams.
- See package dimensions on last page

**\*ELECTRICAL CHARACTERISTICS @ 25°C, unless otherwise specified**

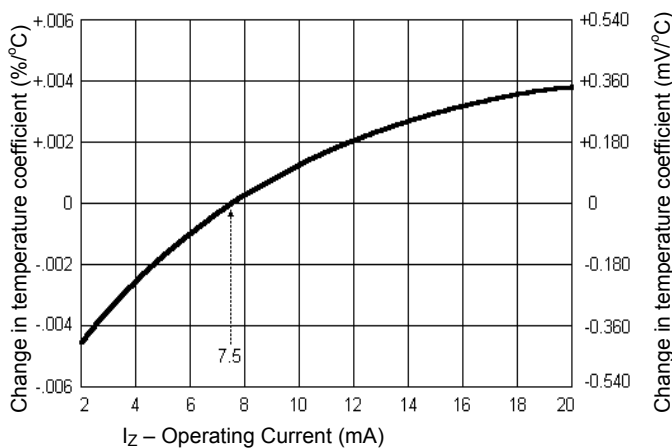
JEDEC TYPE NUMBERS (Notes 1 & 5)	ZENER VOLTAGE $V_Z @ I_{ZT}$ (Notes 1, 4 & 5)	ZENER TEST CURRENT $I_{ZT}$	MAXIMUM ZENER IMPEDANCE (Note 2) $Z_{ZT} @ I_{ZT}$	MAXIMUM REVERSE CURRENT $I_R @ 6V$	VOLTAGE TEMPERATURE STABILITY (Notes 3 & 4) $\Delta V_{ZT} \text{ MAXIMUM}$	TEMPERATURE RANGE	EFFECTIVE TEMPERATURE COEFFICIENT $\alpha_{VZ}$
	VOLTS	mA	OHMS	$\mu A$	mV	$^{\circ}C$	$\%/^{\circ}C$
1N935	8.55-9.45	7.5	20	10	67	0 to +75	0.01
1N935A	8.55-9.45	7.5	20	10	139	-55 to +100	0.01
1N935B	8.55-9.45	7.5	20	10	184	-55 to +150	0.01
1N936	8.55-9.45	7.5	20	10	33	0 to +75	0.005
1N936A	8.55-9.45	7.5	20	10	69	-55 to +100	0.005
1N936B	8.55-9.45	7.5	20	10	92	-55 to +150	0.005
1N937	8.55-9.45	7.5	20	10	13	0 to +75	0.002
1N937A	8.55-9.45	7.5	20	10	27	-55 to +100	0.002
1N937B	8.55-9.45	7.5	20	10	37	-55 to +150	0.002
1N938	8.55-9.45	7.5	20	10	6	0 to +75	0.001
1N938A	8.55-9.45	7.5	20	10	13	-55 to +100	0.001
1N938B	8.55-9.45	7.5	20	10	18	-55 to +150	0.001
1N939	8.55-9.45	7.5	20	10	3	0 to +75	0.0005
1N939A	8.55-9.45	7.5	20	10	7	-55 to +100	0.0005
1N939B	8.55-9.45	7.5	20	10	9	-55 to +150	0.0005
1N940	8.55-9.45	7.5	20	10	1.3	0 to +75	0.0002
1N940A	8.55-9.45	7.5	20	10	2.7	-55 to +100	0.0002
1N940B	8.55-9.45	7.5	20	10	3.7	-55 to +150	0.0002

\*JEDEC Registered Data.

**NOTES:**

1. When ordering devices with tighter tolerances than specified, use a nominal voltage of 9.2V and add a hyphenated suffix to the part number for desired tolerance at the end of the part number, e.g. 1N938B-2%, 1N939B-1%, 1N939B-1-1%, etc.
2. Measured by superimposing 0.75 mA ac rms on 7.5 mA dc @ 25°C.
3. The maximum allowable change observed over the entire temperature range i.e., the diode voltage will not exceed the specified mV change at any discrete temperature between the established limits.
4. Voltage measurements to be performed 15 seconds after application of dc current.
5. The 1N935B, 937B, 938B, 939B, 940B also have military qualification to MIL-PRF-19500/156 up to the JANTXV level by adding JAN, JANTX, or JANTXV prefixes to part numbers as well as "-1" suffix, e.g. JANTX1N938B-1, etc.
6. Designate Radiation Hardened devices with "RH" prefix instead of "IN", i.e. RH938A instead of 1N938A.

**GRAPHS**



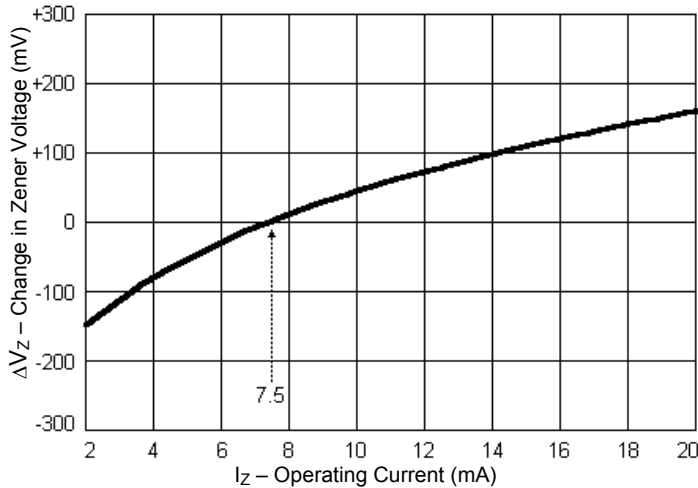
**FIGURE 1**

TYPICAL CHANGE OF TEMPERATURE COEFFICIENT WITH CHANGE IN OPERATING CURRENT.

The curve shown in Figure 1 is typical of the diode series and greatly simplifies the estimation of the Temperature Coefficient (TC) when the diode is operated at currents other than 7.5mA.

**EXAMPLE:** A diode in this series is operated at a current of 7.5mA and has specified Temperature Coefficient (TC) limits of +/- 0.005%/°C. To obtain the typical Temperature Coefficient limits for this same diode operated at a current of 6.0mA, the new TC limits (%/°C) can be estimated using the graph in FIGURE 1.

At a test current of 6.0mA the change in Temperature Coefficient (TC) is approximately -0.0009%/°C. The algebraic sum of +/- 0.005%/°C and -0.0009%/°C gives the new estimated limits of +0.0041%/°C and -0.0059%/°C.

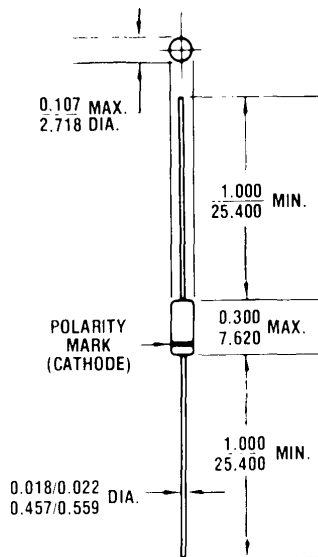


*This curve in Figure 2 illustrates the change of diode voltage arising from the effect of impedance. It is in effect an exploded view of the zener operating region of the I-V characteristic.*

*In conjunction with Figure 1, this curve can be used to estimate total voltage regulation under conditions of both varying temperature and current.*

**FIGURE 2**  
TYPICAL CHANGE OF ZENER VOLTAGE  
WITH CHANGE IN OPERATING CURRENT.

**DIMENSIONS**



All dimensions in INCH  
mm



LittleDiode supplies new, hard to find or obsolete electronic components and semiconductors all over the world.

With over two million different components listed you are sure to find the part you need.

Feel free to visit us today at our online store:

[LittleDiode.com](http://LittleDiode.com)

Looking forward to providing you with the best possible service.