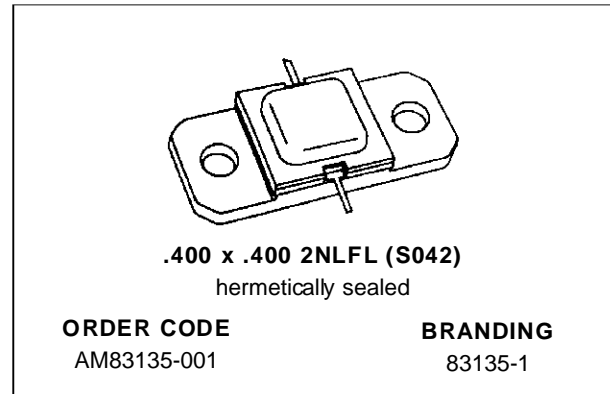


RF & MICROWAVE TRANSISTORS S-BAND RADAR APPLICATIONS

- REFRACTORY/GOLD METALLIZATION
- EMITTER SITE BALLASTED
- 10:1 VSWR CAPABILITY
- LOW THERMAL RESISTANCE
- INPUT/OUTPUT MATCHING
- OVERLAY GEOMETRY
- METAL/CERAMIC HERMETIC PACKAGE
- P_{OUT} = 1.0 W MIN. WITH 5.2 dB GAIN

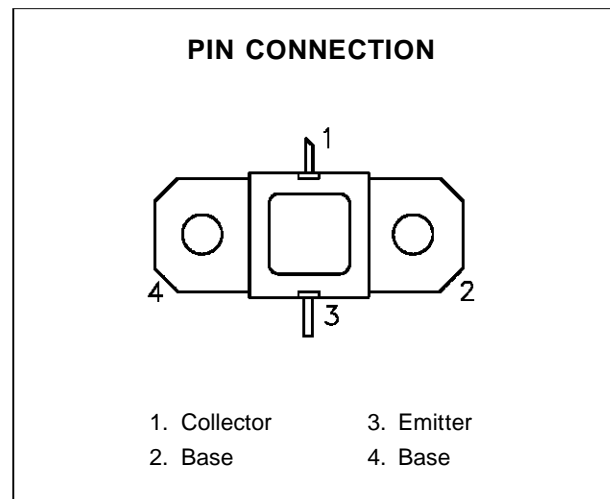


DESCRIPTION

The AM83135-001 device is a medium power silicon bipolar NPN transistor specifically designed for S-Band radar pulsed driver applications.

This device is capable of operation over a wide range of pulse widths, duty cycles and temperatures and can withstand a 10:1 output VSWR. Low RF thermal resistance, refractory/gold metallization, and automatic wire bonding techniques ensure high reliability and product consistency.

The AM83135-001 is supplied in the AMPAC™ Hermetic/Ceramic package with internal Input/Output impedance matching circuitry, and is intended for military and other high reliability ap-



ABSOLUTE MAXIMUM RATINGS (T_{case} = 25°C)

Symbol	Parameter	Value	Unit
P _{DISS}	Power Dissipation* (T _C ≤ 100°C)	11.5	W
I _C	Device Current*	0.45	A
V _{CC}	Collector-Supply Voltage*	34	V
T _J	Junction Temperature (Pulsed RF Operation)	250	°C
T _{STG}	Storage Temperature	- 65 to +200	°C

THERMAL DATA

R _{TH(j-c)}	Junction-Case Thermal Resistance*	13.0	°C/W
----------------------	-----------------------------------	------	------

*Applies only to rated RF amplifier operation

ELECTRICAL SPECIFICATIONS ($T_{\text{case}} = 25^{\circ}\text{C}$)

STATIC

Symbol	Test Conditions			Value			Unit
				Min.	Typ.	Max.	
BV_{CBO}	$I_{\text{C}} = 1\text{mA}$	$I_{\text{E}} = 0\text{mA}$		45	—	—	V
BV_{EBO}	$I_{\text{E}} = 1\text{mA}$	$I_{\text{C}} = 0\text{mA}$		3.5	—	—	V
BV_{CER}	$I_{\text{C}} = 1\text{mA}$	$R_{\text{BE}} = 10\Omega$		45	—	—	V
I_{CES}	$V_{\text{BE}} = 0\text{V}$	$V_{\text{CE}} = 30\text{V}$		—	—	1	mA
h_{FE}	$V_{\text{CE}} = 5\text{V}$	$I_{\text{C}} = 100\text{mA}$		10	—	—	—

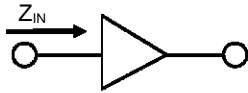
DYNAMIC

Symbol	Test Conditions			Value			Unit
				Min.	Typ.	Max.	
P_{OUT}	$f = 3.1 - 3.5\text{GHz}$	$P_{\text{IN}} = 0.3\text{W}$	$V_{\text{CC}} = 30\text{V}$	1.0	1.4	—	W
η_{C}	$f = 3.1 - 3.5\text{GHz}$	$P_{\text{IN}} = 0.3\text{W}$	$V_{\text{CC}} = 30\text{V}$	27	35	—	%
G_{P}	$f = 3.1 - 3.5\text{GHz}$	$P_{\text{IN}} = 0.3\text{W}$	$V_{\text{CC}} = 30\text{V}$	5.2	6.7	—	dB

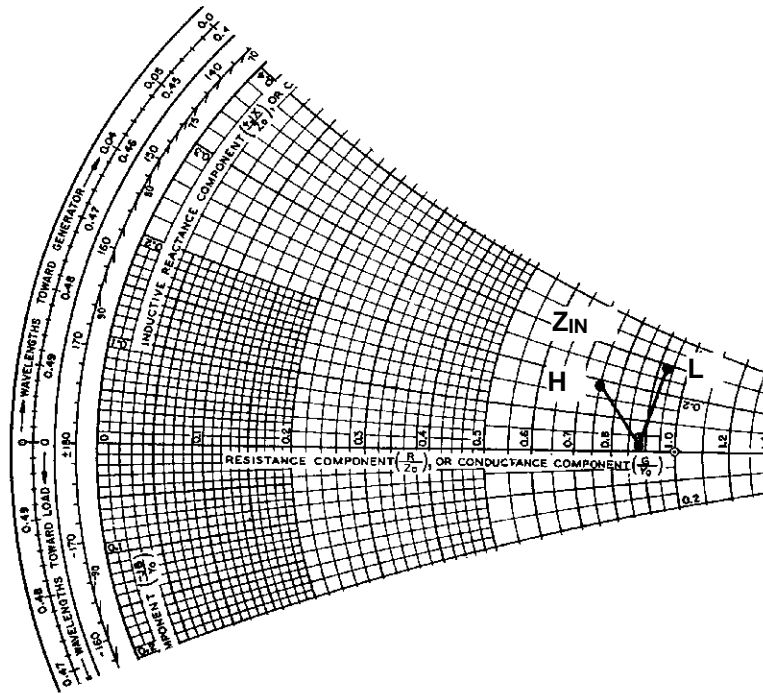
Note: Pulse Width = 100 μS
Duty Cycle = 10%

IMPEDANCE DATA

TYPICAL INPUT IMPEDANCE

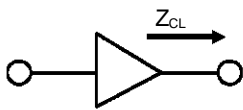


$P_{IN} = 0.3 \text{ W}$
 $V_{CC} = 30 \text{ V}$
 $Z_0 = 50 \text{ ohms}$

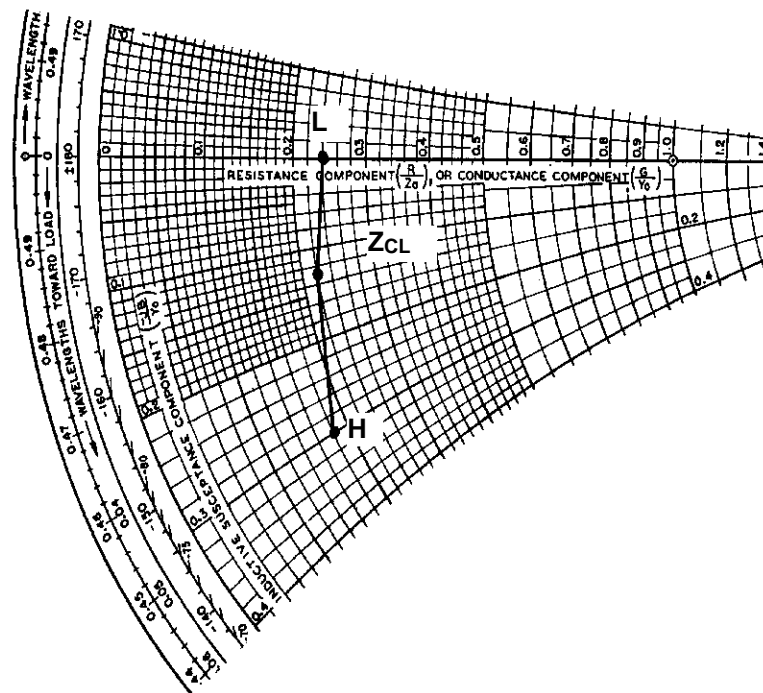


FREQ.	$Z_{IN} (\Omega)$	$Z_{CL} (\Omega)$
L = 3.1 GHz	$46.0 + j 14.5$	$12.0 - j 0.0$
M = 3.3 GHz	$43.0 + j 10.0$	$11.0 - j 6.5$
H = 3.5 GHz	$38.0 + j 10.0$	$9.0 - j 15.0$

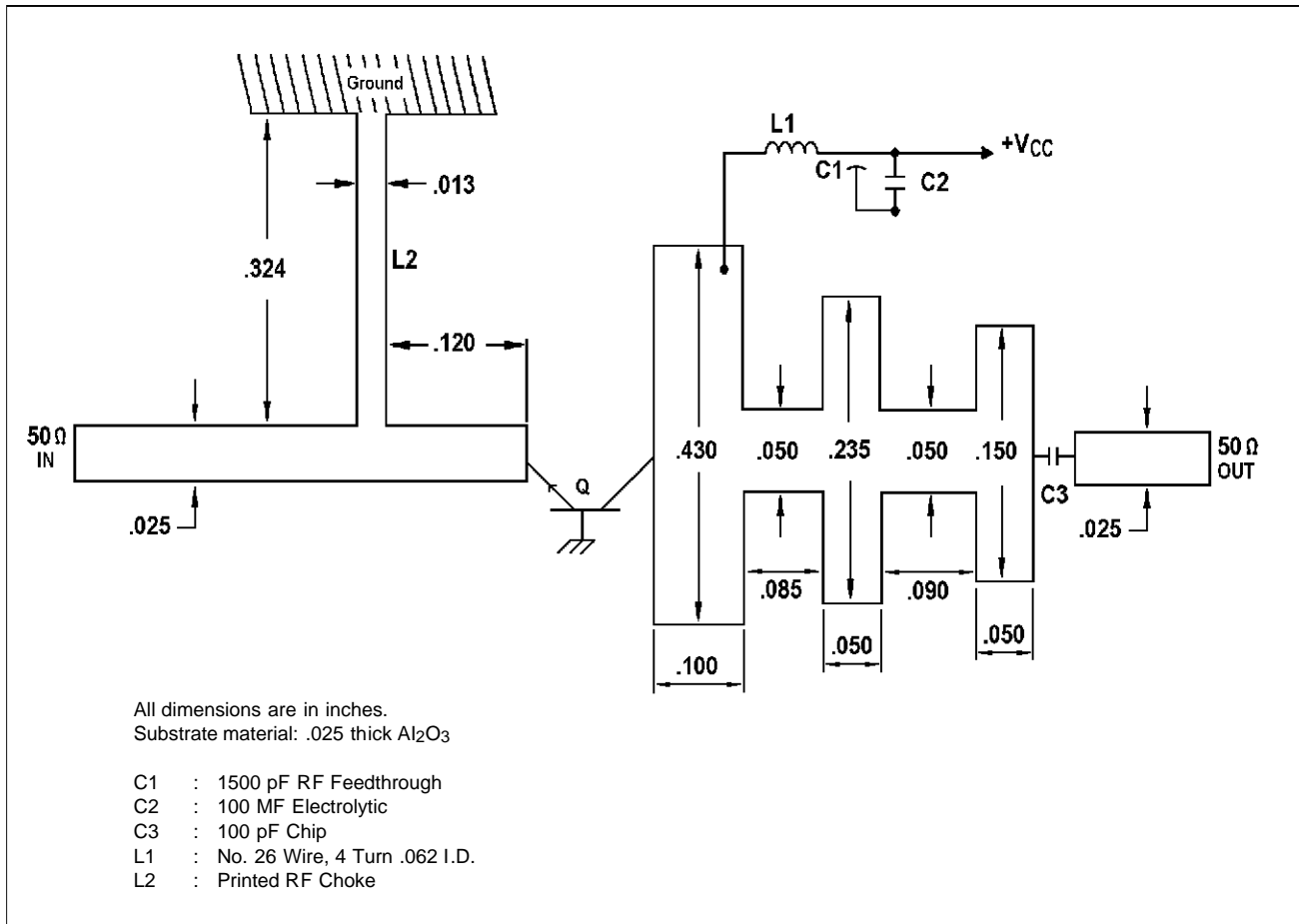
TYPICAL COLLECTOR LOAD IMPEDANCE



$P_{IN} = 0.3 \text{ W}$
 $V_{CC} = 30 \text{ V}$
 $Z_0 = 50 \text{ ohms}$

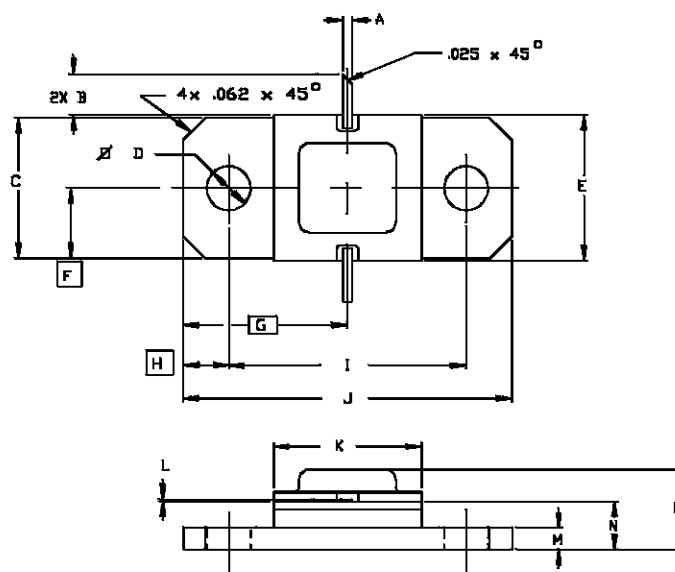


TEST CIRCUIT



PACKAGE MECHANICAL DATA

Ref.: Dwg. No. 12-0213 rev. A
UDCS No. 1011416



SGS-THOMSON MICROELECTRONICS			CONT'D		
	MINIMUM Inches/mm	MAXIMUM Inches/mm		MINIMUM Inches/mm	MAXIMUM Inches/mm
A	.020/0,51	.030/0,76	K	.395/10,03	.415/10,54
B	.100/2,54		L	.004/0,10	.006/0,18
C	.376/9,55	.396/10,06	M	.052/1,32	.072/1,83
D	.110/2,79	.130/3,30	N	.118/3,00	.131/3,33
E	.395/10,03	.407/10,34	P		.230/5,84
F	.193/4,90				
G	.450/11,43				
H	.125/3,18				
I	.640/16,26	.660/16,76			
J	.890/22,61	.910/23,11			

Information furnished is believed to be accurate and reliable. However, SGS-THOMSON Microelectronics assumes no responsibility for the consequences of use of such information nor for any infringement of patents or other rights of third parties which may result from its use. No license is granted by implication or otherwise under any patent or patent rights of SGS-THOMSON Microelectronics. Specifications mentioned in this publication are subject to change without notice. This publication supersedes and replaces all information previously supplied. SGS-THOMSON Microelectronics products are not authorized for use as critical components in life support devices or systems without express written approval of SGS-THOMSON Microelectronics.

©1997 SGS-THOMSON Microelectronics - All Rights Reserved

SGS-THOMSON Microelectronics GROUP OF COMPANIES

Australia - Brazil - Canada - China - France - Germany - Hong Kong - Italy - Japan - Korea
Malaysia - Malta - Morocco - The Netherlands - Singapore - Spain - Sweden - Switzerland
Taiwan - Thailand - United Kingdom - U.S.A.



LittleDiode supplies new, hard to find or obsolete electronic components and semiconductors all over the world.

With over two million different components listed you are sure to find the part you need.

Feel free to visit us today at our online store:

LittleDiode.com

Looking forward to providing you with the best possible service.