

NPN SILICON RF POWER TRANSISTOR

DESCRIPTION:

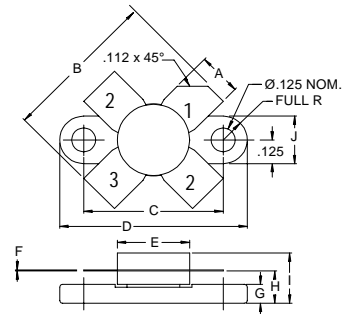
The **ASI CD2315** is designed for broadband amplifier applications in commercial and amateur communication equipment.

FEATURES:

- $P_G = 18$ dB min. at 75 W/30 MHz
- $IMD_3 = -30$ dBc max. at 75 W (PEP)
- **Omnigold™** Metalization System

MAXIMUM RATINGS

I_C	10 A
V_{CB}	60 V
V_{CE}	35 V
P_{DISS}	140 W @ $T_C = 25$ °C
T_J	-65 °C to +200 °C
T_{STG}	-65 °C to +150 °C
θ_{JC}	1.05 °C/W

PACKAGE STYLE .380 4L FLG


DIM	MINIMUM inches / mm	MAXIMUM inches / mm
A	.220 / 5.59	.230 / 5.84
B	.785 / 19.94	
C	.720 / 18.29	.730 / 18.54
D	.970 / 24.64	.980 / 24.89
E		.385 / 9.78
F	.004 / 0.10	.006 / 0.15
G	.085 / 2.16	.105 / 2.67
H	.160 / 4.06	.180 / 4.57
I		.280 / 7.11
J	.240 / 6.10	.255 / 6.48

1 = Collector 2 = Emitter 3 = Base

CHARACTERISTICS $T_C = 25$ °C

SYMBOL	TEST CONDITIONS			MINIMUM	TYPICAL	MAXIMUM	UNITS
BV_{CEO}	$I_C = 50$ mA			35			V
BV_{CER}	$I_C = 50$ mA	$R_{BE} = 10$ Ω		60			V
BV_{EBO}	$I_E = 10$ mA			4.0			V
I_{CES}	$V_E = 28$ V					5	mA
h_{FE}	$V_{CE} = 5.0$ V	$I_C = 1.0$ A		10		100	---
C_{ob}	$V_{CB} = 28$ V	$f = 1.0$ MHz				80	pF
G_{PE}	$V_{CE} = 25$ V	$I_{CQ} = 3.2$ A	$f = 225$ MHz	13.5	14.5		dB
IMD_3	$P_{REF} = 16$ W	Vision = -8 dB Side Band = -16 dB	Snd. = -7 dB			-55	dBc

This datasheet has been downloaded from:

www.DatasheetCatalog.com

Datasheets for electronic components.



LittleDiode supplies new, hard to find or obsolete electronic components and semiconductors all over the world.

With over two million different components listed you are sure to find the part you need.

Feel free to visit us today at our online store:

LittleDiode.com

Looking forward to providing you with the best possible service.