



# NPN POWER TRANSISTORS

COMPLEMENTARY TO THE D41D SERIES

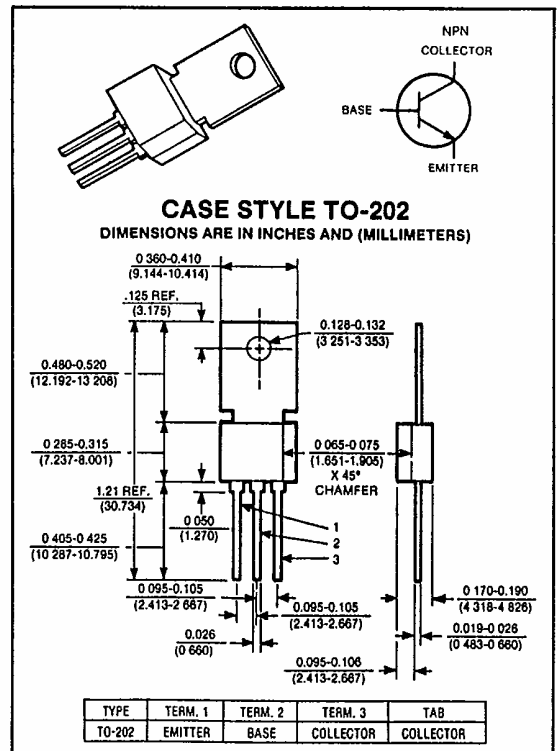
## D40D Series

30 - 60 VOLTS  
1 AMP, 6.25 WATTS

The General Electric D40D is a power transistor designed for various specific and general purpose applications, such as: output and driver stages of amplifiers operating at frequencies from DC to greater than 1.0 MHz; series, shunt and switching regulators; low and high frequency inverters/converters; and many others.

### Features:

- High free-air power dissipation
- NPN complement to D41D PNP
- Low collector saturation voltage (0.5V typ. @ 1.0A I<sub>C</sub>)
- Excellent linearity
- Fast Switching



maximum ratings ( $T_A = 25^\circ\text{C}$ ) (unless otherwise specified)

RATING	SYMBOL	D40D1, 2	D40D4, 5	D40D7, 8	UNITS
Collector-Emitter Voltage	$V_{CE0}$	30	45	60	Volts
Collector-Emitter Voltage	$V_{CES}$	45	60	75	Volts
Emitter Base Voltage	$V_{EBO}$	5	5	5	Volts
Collector Current — Continuous	$I_C$	1	1	1	A
Peak <sup>(1)</sup>	$I_{CM}$	1.5	1.5	1.5	
Base Current — Continuous	$I_B$	.5	.5	.5	A
Total Power Dissipation @ $T_A = 25^\circ\text{C}$ @ $T_C = 25^\circ\text{C}$	$P_D$	1.67 6.25	1.67 6.25	1.67 6.25	Watts
Operating and Storage Junction Temperature Range	$T_J, T_{stg}$	-55 to +150	-55 to +150	-55 to +150	$^\circ\text{C}$

### thermal characteristics

Thermal Resistance, Junction to Ambient	$R_{\theta JA}$	75	75	75	$^\circ\text{C/W}$
Thermal Resistance, Junction to Case	$R_{\theta JC}$	20	20	20	$^\circ\text{C/W}$
Maximum Lead Temperature for Soldering Purposes: $\frac{1}{16}$ " from Case for 5 Seconds	$T_L$	+260	+260	+260	$^\circ\text{C}$

(1) Pulse Test Pulse Width = 300ms Duty Cycle  $\leq$  2%.

electrical characteristics ( $T_C = 25^\circ\text{C}$ ) (unless otherwise specified)

CHARACTERISTIC	SYMBOL	MIN	TYP	MAX	UNIT
----------------	--------	-----	-----	-----	------

off characteristics<sup>(1)</sup>

Collector-Emitter Sustaining Voltage ( $I_C = 10\text{mA}$ )	D40D1, 2 D40D4, 5 D40D7, 8	$V_{CEO(sus)}$	30 45 60	— — —	— — —	Volts
Collector Cutoff Current ( $V_{CE} = \text{Rated } V_{CEO}$ ) ( $V_{CE} = \text{Rated } V_{CES}$ )	$T_C = 25^\circ\text{C}$ $T_C = 150^\circ\text{C}$	$I_{CES}$	— —	— 1.0	— —	$\mu\text{A}$
Emitter Cutoff Current ( $V_{EB} = 5\text{V}$ )		$I_{EBO}$	—	—	0.1	$\mu\text{A}$

second breakdown

Second Breakdown with Base Forward Biased	FBSOA	SEE FIGURE 4
---	-------	--------------

on characteristics

DC Current Gain ( $I_C = 100\text{mA}$ , $V_{CE} = 2\text{V}$ )	D40D1, 4, 7 D40D2, 5, 8	$h_{FE}$	50 120	— —	150 360	—
( $I_C = 1\text{A}$ , $V_{CE} = 2\text{V}$ )	D40D1, 4, 7 D40D2 D40D5, 8	$h_{FE}$	10 20 10	— — —	— — —	—
Collector-Emitter Saturation Voltage ( $I_C = 500\text{mA}$ , $I_B = 50\text{mA}$ )	D40D1, 2, 4, 5 D40D7, 8	$V_{CE(sat)}$	— —	— —	0.5 1.0	Volts
Base-Emitter Saturation Voltage ( $I_C = 500\text{mA}$ , $I_B = 50\text{mA}$ )		$V_{BE(sat)}$	—	—	1.5	Volts

dynamic characteristics

Collector Capacitance ( $V_{CB} = 10\text{V}$ , $f = 1\text{MHz}$ )		$C_{CBO}$	—	8	—	pF
Current-Gain — Bandwidth Product ( $I_C = 20\text{mA}$ , $V_{CE} = 10\text{V}$ )		$f_T$	—	200	—	MHz

switching characteristics

Resistive Load						
Delay Time + Rise Time	$I_C = 1\text{A}$ , $I_{B1} = I_{B2} = 0.1\text{A}$ $V_{CC} = 30\text{V}$ , $t_p = 25\ \mu\text{sec}$	$t_d + t_r$	—	25	—	nS
Storage Time		$t_s$	—	200	—	
Fall Time		$t_f$	—	50	—	

(1) Pulse Test PW = 300ms Duty Cycle  $\leq 2\%$ .

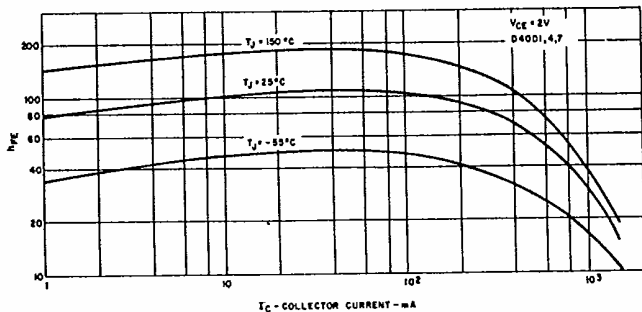


FIG. 1

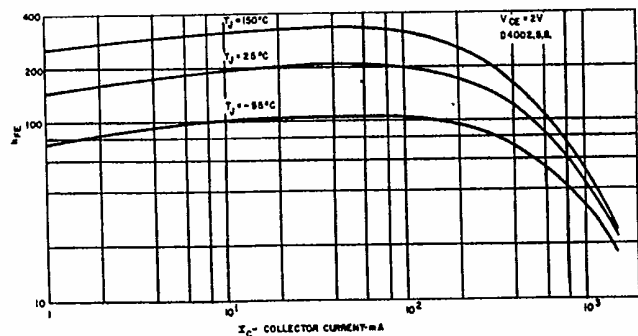


FIG. 2

TYPICAL  $h_{FE}$  VS  $I_C$

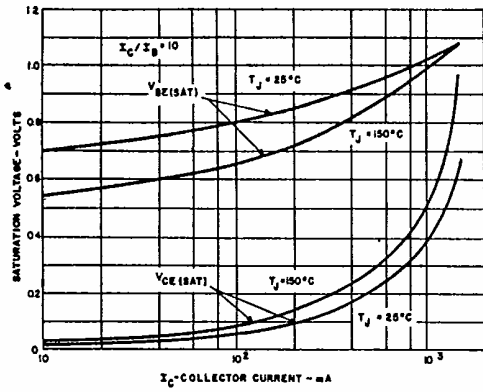


FIG. 3 TYPICAL SATURATION VOLTAGE CHARACTERISTICS

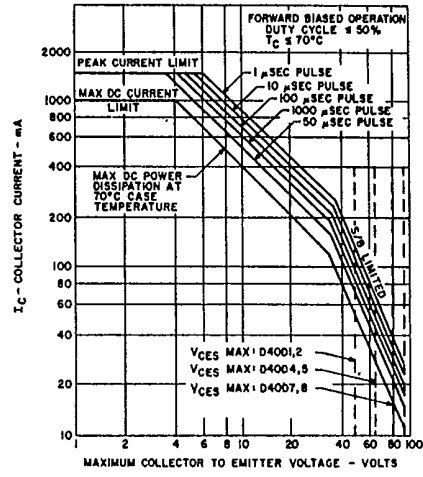


FIG. 4 SAFE REGION OF OPERATION

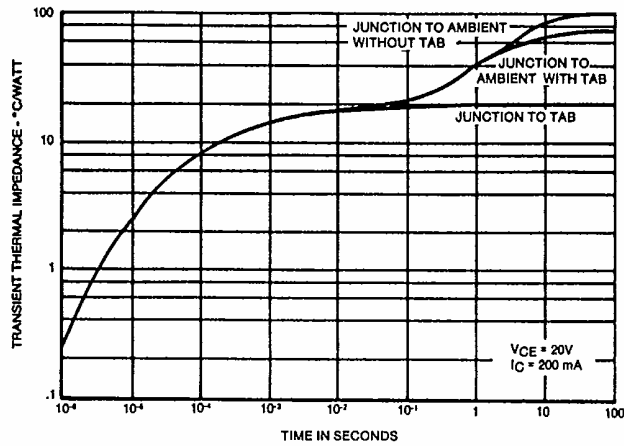


FIG. 5 MAXIMUM TRANSIENT THERMAL IMPEDANCE

This datasheet has been downloaded from:

[www.DatasheetCatalog.com](http://www.DatasheetCatalog.com)

Datasheets for electronic components.



LittleDiode supplies new, hard to find or obsolete electronic components and semiconductors all over the world.

With over two million different components listed you are sure to find the part you need.

Feel free to visit us today at our online store:

[LittleDiode.com](http://LittleDiode.com)

Looking forward to providing you with the best possible service.