

## 250MHz/3mA Current Mode Feedback Amp w/Disable



The EL2186/EL2286 are single/dual current-feedback operational amplifiers which achieve a -3dB

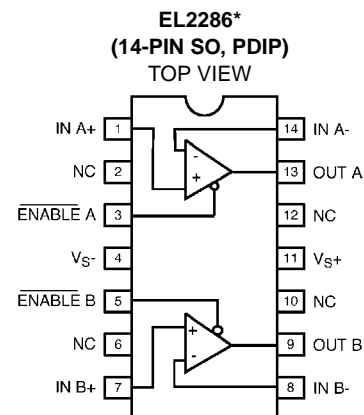
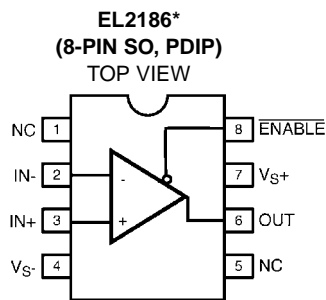
bandwidth of 250MHz at a gain of +1 while consuming only 3mA of supply current per amplifier. They will operate with dual supplies ranging from  $\pm 1.5V$  to  $\pm 6V$ , or from single supplies ranging from +3V to +12V. The EL2186/EL2286 also include a disable/power-down feature which reduces current consumption to 0mA while placing the amplifier output in a high impedance state. In spite of its low supply current, the EL2286 can output 55mA while swinging to  $\pm 4V$  on  $\pm 5V$  supplies. The EL2186 can output 100mA with similar output swings. These attributes make the EL2186/EL2286 excellent choices for low power and/or low voltage cable-driver, HDSL, or RGB applications.

For Single, Dual and Quad applications without disable, consider the EL2180 (8-Pin Single), EL2280 (8-Pin Dual) or EL2480 (14-Pin Quad). For lower power applications where speed is still a concern, consider the EL2170/EL2176 family which also comes in similar Single, Dual and Quad configurations. The EL2170/EL2176 family provides a -3dB bandwidth of 70MHz while consuming 1mA of supply current per amplifier.

### Ordering Information

PART NUMBER	TEMP. RANGE	PACKAGE	PKG. NO.
EL2186CN	-40°C to +85°C	8-Pin PDIP	MDP0031
EL2186CS	-40°C to +85°C	8-Pin SOIC	MDP0027
EL2286CN	-40°C to +85°C	14-Pin PDIP	MDP0031
EL2286CS	-40°C to +85°C	14-Pin SOIC	MDP0027

### Pinouts



\*Manufactured under U.S. Patent No. 5,418,495

### Features

- Single (EL2186) and dual (EL2286) topologies
- 3mA supply current (per amplifier)
- 250MHz -3dB bandwidth
- Low cost
- Fast disable
- Powers down to 0mA
- Single- and dual-supply operation down to  $\pm 1.5V$
- 0.05%/0.05° diff. gain/diff. phase into 150 $\Omega$
- 1200V/ $\mu s$  slew rate
- Large output drive current:  
-100mA (EL2186)  
-55mA (EL2286)
- Also available without disable in single (EL2180), dual (EL2280) and quad (EL2480)
- Lower power EL2170/EL2176 family also available (1mA/70MHz) in single, dual and quad

### Applications

- Low power/battery applications
- HDSL amplifiers
- Video amplifiers
- Cable drivers
- RGB amplifiers
- Test equipment amplifiers
- Current to voltage converters

## EL2186, EL2286

### Absolute Maximum Ratings ( $T_A = 25^\circ\text{C}$ )

Voltage between $V_{S+}$ and $V_{S-}$ . . . . . +12.6V	Temperature Range . . . . . -40°C to +85°C
Common-Mode Input Voltage . . . . . $V_{S-}$ to $V_{S+}$	Operating Junction Temperature
Differential Input Voltage . . . . . $\pm 6\text{V}$	Plastic Packages . . . . . 150°C
Current into +IN or -IN . . . . . $\pm 7.5\text{mA}$	Output Current (EL2186) . . . . . $\pm 120\text{mA}$
Internal Power Dissipation . . . . . See Curves	Output Current (EL2286) . . . . . $\pm 60\text{mA}$
Operating Ambient	Storage Temperature Range . . . . . -65°C to +150°C

*CAUTION: Stresses above those listed in "Absolute Maximum Ratings" may cause permanent damage to the device. This is a stress only rating and operation of the device at these or any other conditions above those indicated in the operational sections of this specification is not implied.*

*IMPORTANT NOTE: All parameters having Min/Max specifications are guaranteed. Typical values are for information purposes only. Unless otherwise noted, all tests are at the specified temperature and are pulsed tests, therefore:  $T_J = T_C = T_A$*

### DC Electrical Specifications $V_S = \pm 5\text{V}$ , $R_L = 150\Omega$ , $\overline{\text{ENABLE}} = 0\text{V}$ , $T_A = 25^\circ\text{C}$ unless otherwise specified

PARAMETER	DESCRIPTION	CONDITIONS	MIN	TYP	MAX	UNIT
$V_{OS}$	Input Offset Voltage			2.5	15	mV
$TCV_{OS}$	Average Input Offset Voltage Drift	Measured from $T_{MIN}$ to $T_{MAX}$		5		$\mu\text{V}/^\circ\text{C}$
$dV_{OS}$	$V_{OS}$ Matching	EL2286 only		0.5		mV
$+I_{IN}$	+ Input Current			1.5	15	$\mu\text{A}$
$d+I_{IN}$	+ $I_{IN}$ Matching	EL2286 only		20		nA
$-I_{IN}$	- Input Current			16	40	$\mu\text{A}$
$d-I_{IN}$	- $I_{IN}$ Matching	EL2286 only		2		$\mu\text{A}$
CMRR	Common Mode Rejection Ratio	$V_{CM} = \pm 3.5\text{V}$	45	50		dB
-ICMR	- Input Current Common Mode Rejection	$V_{CM} = \pm 3.5\text{V}$		5	30	$\mu\text{A}/\text{V}$
PSRR	Power Supply Rejection Ratio	$V_S$ is moved from $\pm 4\text{V}$ to $\pm 6\text{V}$	60	70		dB
-IPSR	- Input Current Power Supply Rejection	$V_S$ is moved from $\pm 4\text{V}$ to $\pm 6\text{V}$		1	15	$\mu\text{A}/\text{V}$
$R_{OL}$	Transimpedance	$V_{OUT} = \pm 2.5\text{V}$	120	300		$\text{k}\Omega$
$+R_{IN}$	+ Input Resistance	$V_{CM} = \pm 3.5\text{V}$	0.5	2		$\text{M}\Omega$
$+C_{IN}$	+ Input Capacitance			1.2		pF
CMIR	Common Mode Input Range		$\pm 3.5$	$\pm 4.0$		V
$V_O$	Output Voltage Swing	$V_S = \pm 5$	$\pm 3.5$	$\pm 4.0$		V
		$V_S = +5$ Single-Supply, High		4.0		V
		$V_S = +5$ Single-Supply, Low		0.3		V
$I_O$	Output Current	EL2186 only	80	100		mA
		EL2286 only, per Amplifier	50	55		mA
$I_{OUT, OFF}$	Output Current Disable	$V_{OUT} \pm 2\text{V}$ , $A_V = +1 @ 25^\circ\text{C}$			10	$\mu\text{A}$
$I_S$	Supply Current	$\overline{\text{ENABLE}} = 2.0\text{V}$ , per Amplifier		3	6	mA
$I_{S(DIS)}$	Supply Current (Disabled)	$\overline{\text{ENABLE}} = 4.5\text{V}$		0	50	$\mu\text{A}$
$C_{OUT(DIS)}$	Output Capacitance (Disabled)	$\overline{\text{ENABLE}} = 4.5\text{V}$		4.4		pF
$R_{EN}$	Enable Pin Input Resistance	Measured at $\overline{\text{ENABLE}} = 2.0\text{V}$ , $4.5\text{V}$	45	85		$\text{k}\Omega$
$I_{IH}$	Logic "1" Input Current	Measured at $\overline{\text{ENABLE}}$ , $\overline{\text{ENABLE}} = 4.5\text{V}$		-0.04		$\mu\text{A}$
$I_{IL}$	Logic "0" Input Current	Measured at $\overline{\text{ENABLE}}$ , $\overline{\text{ENABLE}} = 0\text{V}$		-53		$\mu\text{A}$
$V_{DIS}$	Minimum Voltage at $\overline{\text{ENABLE}}$ to Disable		4.5			V
$V_{EN}$	Maximum Voltage at $\overline{\text{ENABLE}}$ to Enable				2.0	V

## EL2186, EL2286

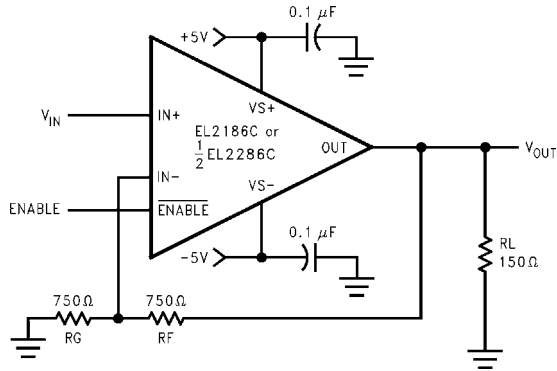
### AC Electrical Specifications $V_S = \pm 5V$ , $R_F = R_G = 750\Omega$ , $R_L = 150\Omega$ , $\overline{ENABLE} = 0V$ , $T_A = 25^\circ C$ unless otherwise specified

PARAMETER	DESCRIPTION	CONDITIONS	MIN	TYP	MAX	UNIT
-3dB BW	-3dB Bandwidth	$A_V = +1$		250		MHz
-3dB BW	-3dB Bandwidth	$A_V = +2$		180		MHz
0.1dB BW	0.1dB Bandwidth	$A_V = +2$		50		MHz
SR	Slew Rate	$V_{OUT} = \pm 2.5V$ , $A_V = +2$	600	1200		V/ $\mu$ s
$t_R$ , $t_F$	Rise and Fall Time	$V_{OUT} = \pm 500mV$		1.5		ns
$t_{PD}$	Propagation Delay	$V_{OUT} = \pm 500mV$		1.5		ns
OS	Overshoot	$V_{OUT} = \pm 500mV$		3.0		%
$t_S$	0.1% Settling	$V_{OUT} = \pm 2.5V$ , $A_V = -1$		15		ns
dG	Differential Gain	$A_V = +2$ , $R_L = 150\Omega$ (Note1)		0.05		%
dP	Differential Phase	$A_V = +2$ , $R_L = 150\Omega$ (Note1)		0.05		
dG	Differential Gain	$A_V = +1$ , $R_L = 500\Omega$ (Note1)		0.01		%
dP	Differential Phase	$A_V = +1$ , $R_L = 500\Omega$ (Note1)		0.01		°
$t_{ON}$	Turn-On Time	$A_V = +2$ , $V_{IN} = +1V$ , $R_L = 150\Omega$ (Note 2)		40	100	ns
$t_{OFF}$	Turn-Off Time	$A_V = +2$ , $V_{IN} = +1V$ , $R_L = 150\Omega$ (Note 2)		1500	2000	ns
CS	Channel Separation	EL2286 only, $f = 5MHz$		85		dB

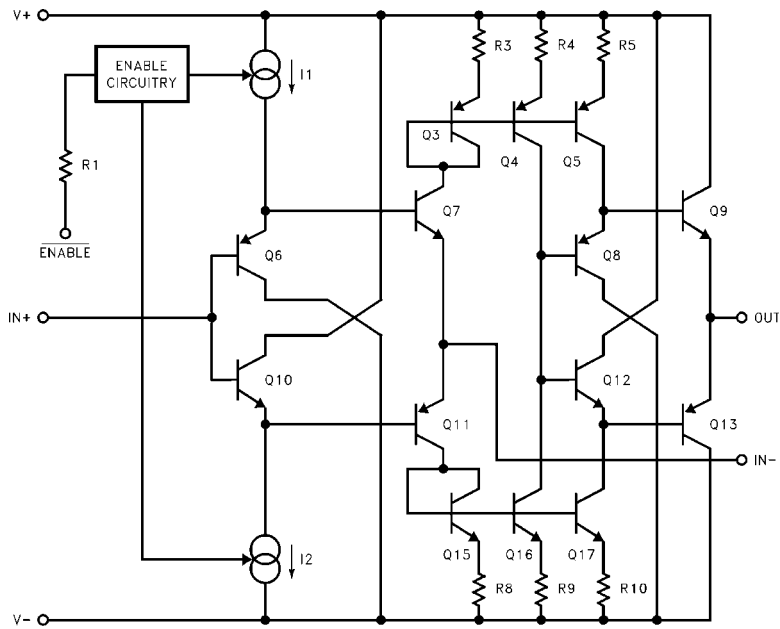
NOTES:

1. DC offset from 0V to 0.714V, AC amplitude 286mV<sub>p-p</sub>,  $f = 3.58MHz$ .
2. Measured from the application of the logic signal until the output voltage is at the 50% point between initial and final values.

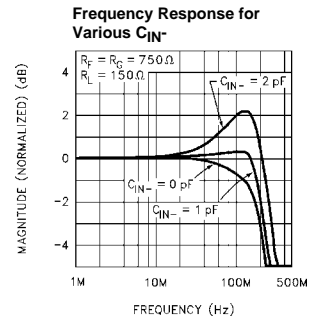
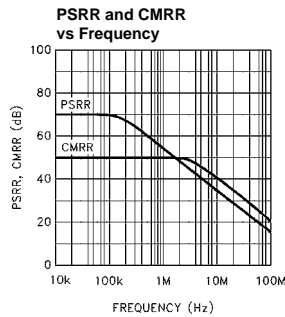
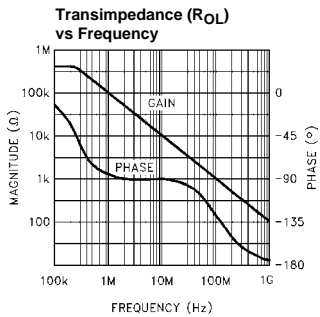
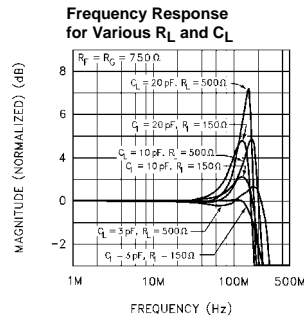
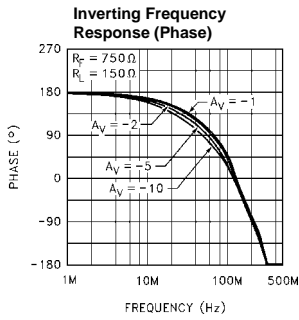
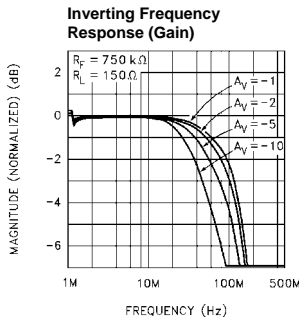
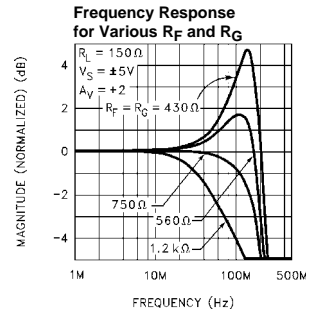
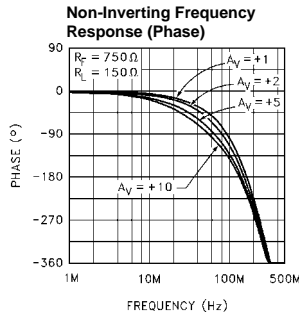
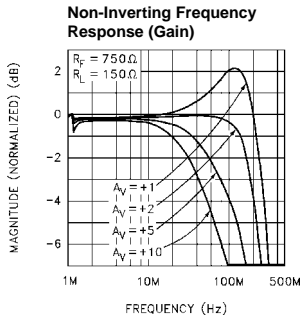
**Test Circuit** (per Amplifier)



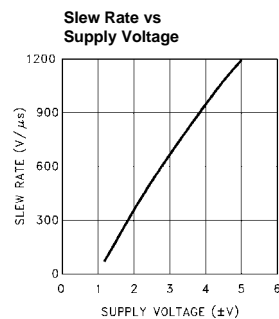
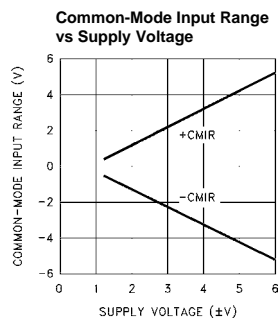
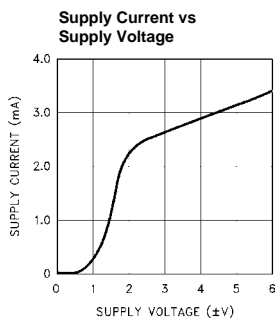
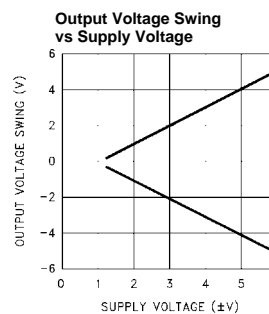
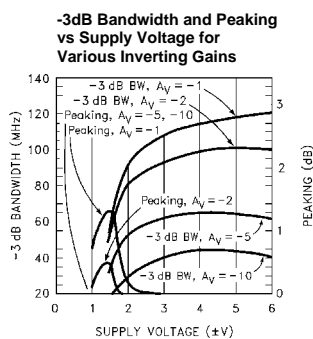
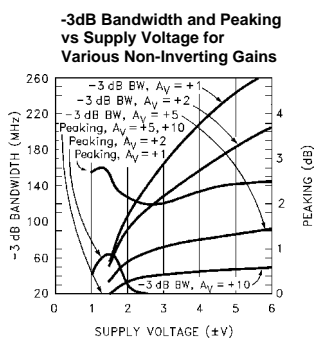
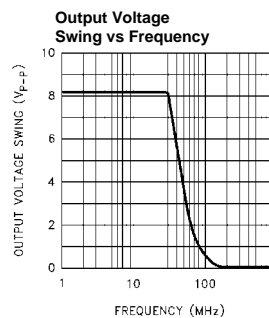
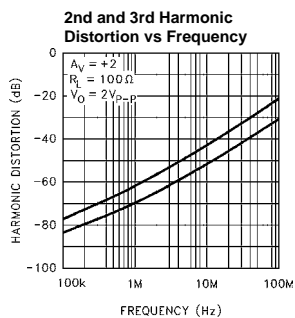
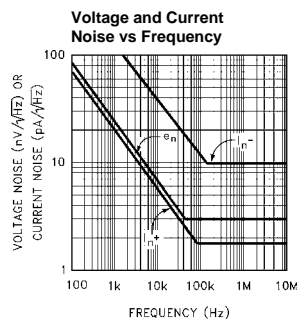
**Simplified Schematic** (per Amplifier)



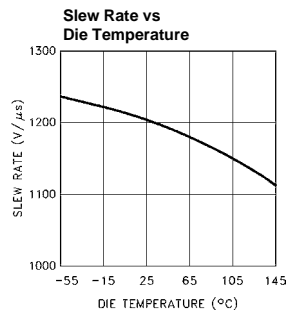
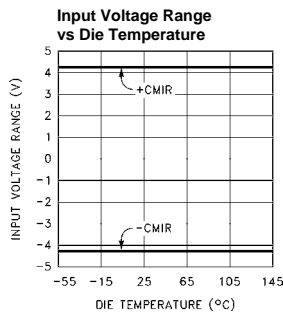
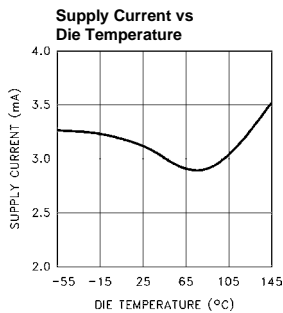
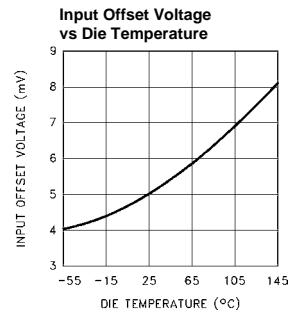
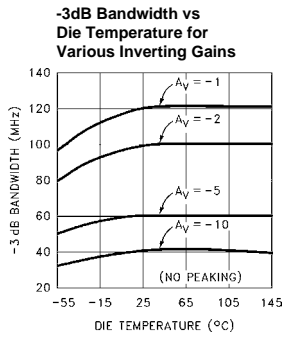
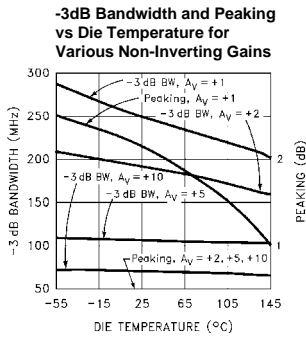
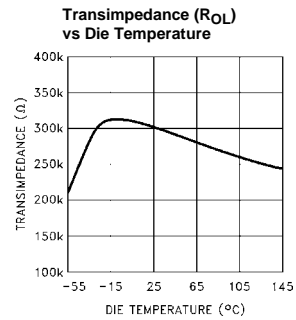
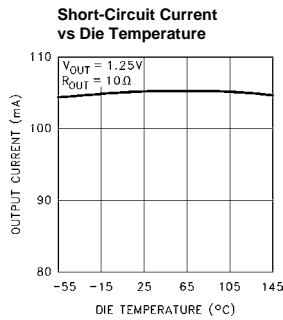
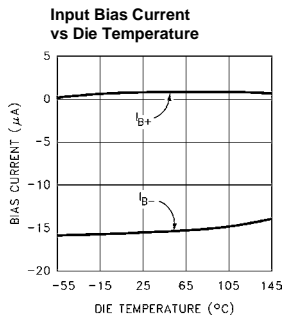
Typical Performance Curves



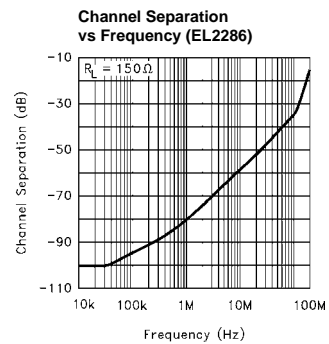
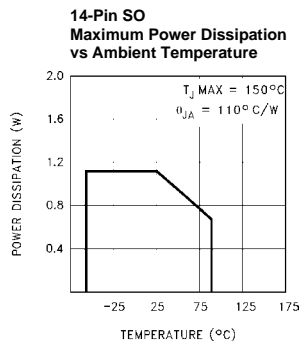
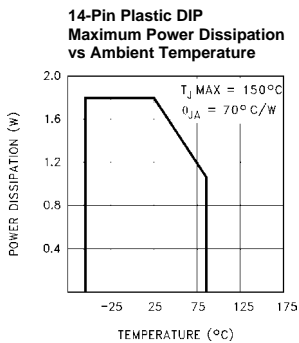
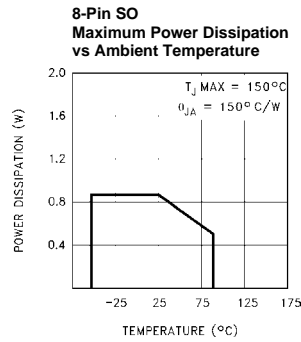
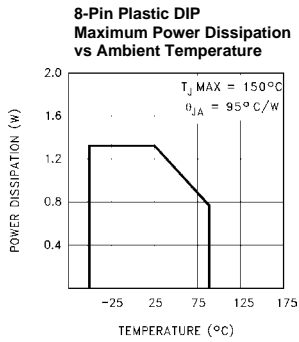
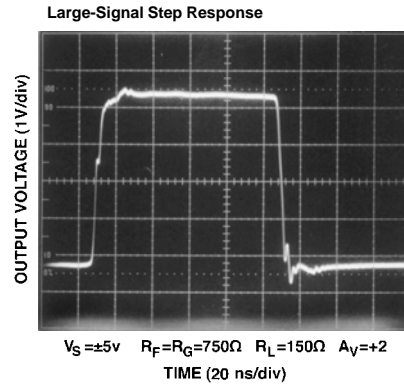
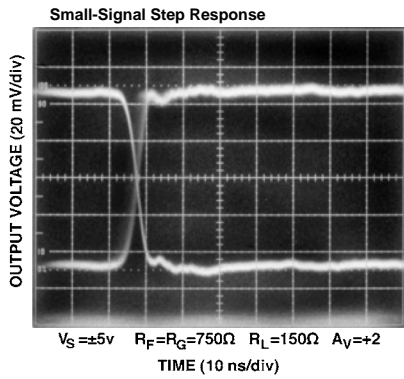
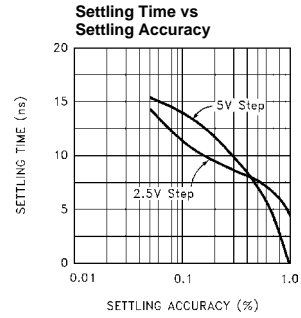
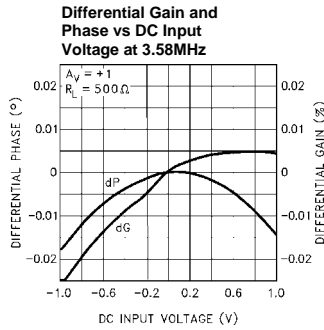
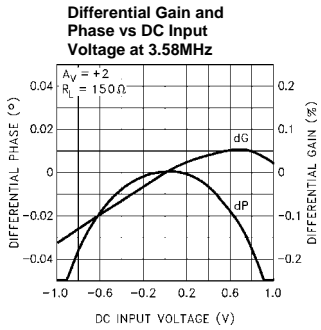
Typical Performance Curves (Continued)



Typical Performance Curves (Continued)



Typical Performance Curves (Continued)



## **Applications Information**

### **Product Description**

The EL2186/EL2286 are current-feedback operational amplifiers that offer a wide -3dB bandwidth of 250MHz, a low supply current of 3mA per amplifier and the ability to disable to 0mA. Both products also feature high output current drive. The EL2186 can output 100mA, while the EL2286 can output 55mA per amplifier. The EL2186/EL2286 work with supply voltages ranging from a single 3V to  $\pm 6V$ , and they are also capable of swinging to within 1V of either supply on the input and the output. Because of their current-feedback topology, the EL2186/EL2286 do not have the normal gain-bandwidth product associated with voltage-feedback operational amplifiers. This allows their -3dB bandwidth to remain relatively constant as closed-loop gain is increased. This combination of high bandwidth and low power, together with aggressive pricing make the EL2186/EL2286 the ideal choice for many low-power/high-bandwidth applications such as portable computing, HDSL, and video processing.

For Single, Dual and Quad applications without disable, consider the EL2180 (8-Pin Single), EL2280 (8-Pin Dual) and EL2480 (14-Pin Quad). If lower power is required, refer to the EL2170/EL2176 family which provides Singles, Duals, and Quads with 70MHz of bandwidth while consuming 1mA of supply current per amplifier.

### **Power Supply Bypassing and Printed Circuit Board Layout**

As with any high-frequency device, good printed circuit board layout is necessary for optimum performance. Ground plane construction is highly recommended. Lead lengths should be as short as possible. The power supply pins must be well bypassed to reduce the risk of oscillation. The combination of a 4.7 $\mu$ F tantalum capacitor in parallel with a 0.1 $\mu$ F capacitor has been shown to work well when placed at each supply pin.

For good AC performance, parasitic capacitance should be kept to a minimum especially at the inverting input (see the Capacitance at the Inverting Input section). Ground plane construction should be used, but it should be removed from the area near the inverting input to minimize any stray capacitance at that node. Carbon or Metal-Film resistors are acceptable with the Metal-Film resistors giving slightly less peaking and bandwidth because of their additional series inductance. Use of sockets, particularly for the SO package should be avoided if possible. Sockets add parasitic inductance and capacitance which will result in some additional peaking and overshoot.

### **Disable/Power-Down**

The EL2186/EL2286 amplifiers can be disabled, placing their output in a high-impedance state. When disabled, each amplifier's supply current is reduced to 0mA. Each EL2186/EL2286 amplifier is disabled when its  $\overline{\text{ENABLE}}$  pin

is floating or pulled up to within 0.5V of the positive supply. Similarly, each amplifier is enabled by pulling its  $\overline{\text{ENABLE}}$  pin at least 3V below the positive supply. For  $\pm 5V$  supplies, this means that an EL2186/EL2286 amplifier will be enabled when  $\overline{\text{ENABLE}}$  is at 2V or less, and disabled when  $\overline{\text{ENABLE}}$  is above 4.5V. Although the logic levels are not standard TTL, this choice of logic voltages allows the EL2186/EL2286 to be enabled by tying  $\overline{\text{ENABLE}}$  to ground, even in +3V single-supply applications. The  $\overline{\text{ENABLE}}$  pin can be driven from CMOS outputs or open-collector TTL.

When enabled, supply current does vary somewhat with the voltage applied at  $\overline{\text{ENABLE}}$ . For example, with the supply voltages of the EL2186 at  $\pm 5V$ , if  $\overline{\text{ENABLE}}$  is tied to -5V (rather than ground) the supply current will increase about 15% to 3.45mA.

### **Capacitance at the Inverting Input**

Any manufacturer's high-speed voltage- or current-feedback amplifier can be affected by stray capacitance at the inverting input. For inverting gains this parasitic capacitance has little effect because the inverting input is a virtual ground, but for non-inverting gains this capacitance (in conjunction with the feedback and gain resistors) creates a pole in the feedback path of the amplifier. This pole, if low enough in frequency, has the same destabilizing effect as a zero in the forward open-loop response. The use of large value feedback and gain resistors further exacerbates the problem by further lowering the pole frequency.

The EL2186/EL2286 have been specially designed to reduce power dissipation in the feedback network by using large 750 $\Omega$  feedback and gain resistors. With the high bandwidths of these amplifiers, these large resistor values would normally cause stability problems when combined with parasitic capacitance, but by internally canceling the effects of a nominal amount of parasitic capacitance, the EL2186/EL2286 remain very stable. For less experienced users, this feature makes the EL2186/EL2286 much more forgiving, and therefore easier to use than other products not incorporating this proprietary circuitry.

The experienced user with a large amount of PC board layout experience may find in rare cases that the EL2186/EL2286 have less bandwidth than expected. In this case, the inverting input may have less parasitic capacitance than expected by the internal compensation circuitry of the EL2186/EL2286. The reduction of feedback resistor values (or the addition of a very small amount of external capacitance at the inverting input, e.g. 0.5pF) will increase bandwidth as desired. Please see the curves for Frequency Response for Various  $R_F$  and  $R_G$ , and Frequency Response for Various  $C_{IN}$ .

### **Feedback Resistor Values**

The EL2186/EL2286 have been designed and specified at gains of +1 and +2 with  $R_F = 750\Omega$ . This value of feedback resistor gives 250MHz of -3dB bandwidth at  $A_V = +1$  with about 2.5dB of peaking, and 180MHz of -3dB bandwidth at  $A_V = +2$  with about 0.1dB of peaking. Since the EL2186/EL2286 are current-feedback amplifiers, it is also possible to change the value of  $R_F$  to get more bandwidth. As seen in the curve of Frequency Response For Various  $R_F$  and  $R_G$ , bandwidth and peaking can be easily modified by varying the value of the feedback resistor.

Because the EL2186/EL2286 are current-feedback amplifiers, their gain-bandwidth product is not a constant for different closed-loop gains. This feature actually allows the EL2186/EL2286 to maintain about the same -3dB bandwidth, regardless of closed-loop gain. However, as closed-loop gain is increased, bandwidth decreases slightly while stability increases.

Since the loop stability is improving with higher closed-loop gains, it becomes possible to reduce the value of  $R_F$  below the specified  $750\Omega$  and still retain stability, resulting in only a slight loss of bandwidth with increased closed-loop gain.

### **Supply Voltage Range and Single-Supply Operation**

The EL2186/EL2286 have been designed to operate with supply voltages having a span of greater than 3V, and less than 12V. In practical terms, this means that the EL2186/EL2286 will operate on dual supplies ranging from  $\pm 1.5V$  to  $\pm 6V$ . With a single-supply, the EL2186 will operate from +3V to +12V.

As supply voltages continue to decrease, it becomes necessary to provide input and output voltage ranges that can get as close as possible to the supply voltages. The EL2186/EL2286 have an input voltage range that extends to within 1V of either supply. So, for example, on a single +5V supply, the EL2186/EL2286 have an input range which spans from 1V to 4V. The output range of the EL2186/EL2286 is also quite large, extending to within 1V of the supply rail. On a  $\pm 5V$  supply, the output is therefore capable of swinging from -4V to +4V. Single-supply output range is even larger because of the increased negative swing due to the external pull-down resistor to ground. On a single +5V supply, output voltage range is about 0.3V to 4V.

### **Video Performance**

For good video performance, an amplifier is required to maintain the same output impedance and the same frequency response as DC levels are changed at the output. This is especially difficult when driving a standard video load of  $150\Omega$ , because of the change in output current with DC level. Until the EL2186/EL2286, good Differential Gain could only be achieved by running high idle currents through the output transistors (to reduce variations in output impedance). These currents were typically comparable to the entire 3mA

supply current of each EL2186/EL2286 amplifier! Special circuitry has been incorporated in the EL2186/EL2286 to reduce the variation of output impedance with current output. This results in dG and dP specifications of 0.05% and  $0.05^\circ$  while driving  $150\Omega$  at a gain of +2.

Video Performance has also been measured with a  $500\Omega$  load at a gain of +1. Under these conditions, the EL2186/EL2286 have dG and dP specifications of 0.01% and  $0.01^\circ$  respectively while driving  $500\Omega$  at  $A_V = +1$ .

### **Output Drive Capability**

In spite of its low 3mA of supply current, the EL2186 is capable of providing a minimum of  $\pm 80mA$  of output current. Similarly, each amplifier of the EL2286 is capable of providing a minimum of  $\pm 50mA$ . These output drive levels are unprecedented in amplifiers running at these supply currents. With a minimum  $\pm 80mA$  of output drive, the EL2186 is capable of driving  $50\Omega$  loads to  $\pm 4V$ , making it an excellent choice for driving isolation transformers in telecommunications applications. Similarly, the  $\pm 50mA$  minimum output drive of each EL2286 amplifier allows swings of  $\pm 2.5V$  into  $50\Omega$  loads.

### **Driving Cables and Capacitive Loads**

When used as a cable driver, double termination is always recommended for reflection-free performance. For those applications, the back-termination series resistor will decouple the EL2186/EL2286 from the cable and allow extensive capacitive drive. However, other applications may have high capacitive loads without a back-termination resistor. In these applications, a small series resistor (usually between  $5\Omega$  and  $50\Omega$ ) can be placed in series with the output to eliminate most peaking. The gain resistor ( $R_G$ ) can then be chosen to make up for any gain loss which may be created by this additional resistor at the output. In many cases it is also possible to simply increase the value of the feedback resistor ( $R_F$ ) to reduce the peaking.

### **Current Limiting**

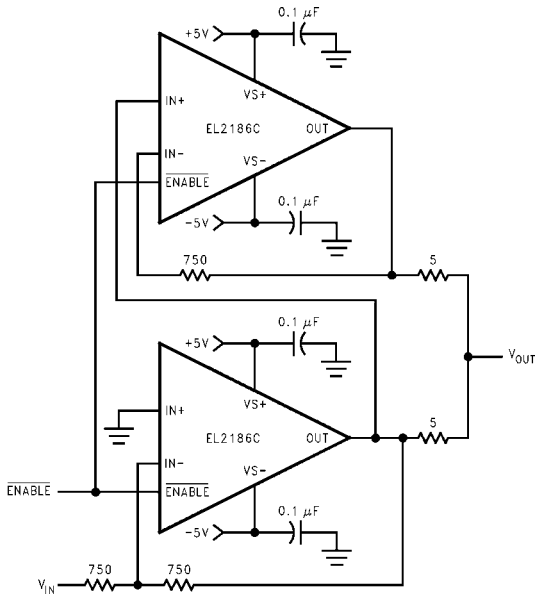
The EL2186/EL2286 have no internal current-limiting circuitry. If any output is shorted, it is possible to exceed the Absolute Maximum Ratings for output current or power dissipation, potentially resulting in the destruction of the device.

### **Power Dissipation**

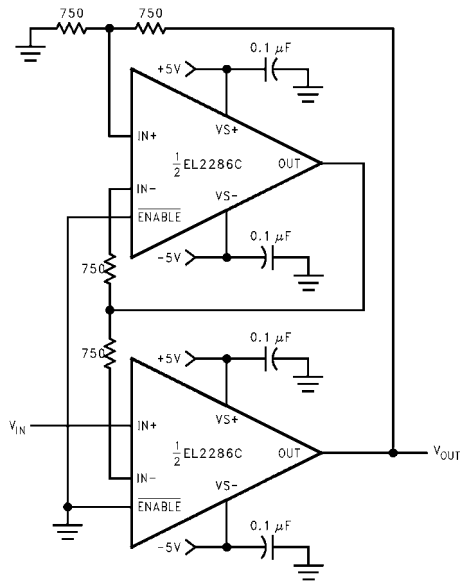
With the high output drive capability of the EL2186/EL2286, it is possible to exceed the  $150^\circ C$  Absolute Maximum junction temperature under certain very high load current conditions. Generally speaking, when  $R_L$  falls below about  $25\Omega$ , it is important to calculate the maximum junction temperature ( $T_{Jmax}$ ) for the application to determine if power-supply voltages, load conditions, or package type need to be modified for the EL2186/EL2286 to remain in the safe operating area. These parameters are calculated as follows:



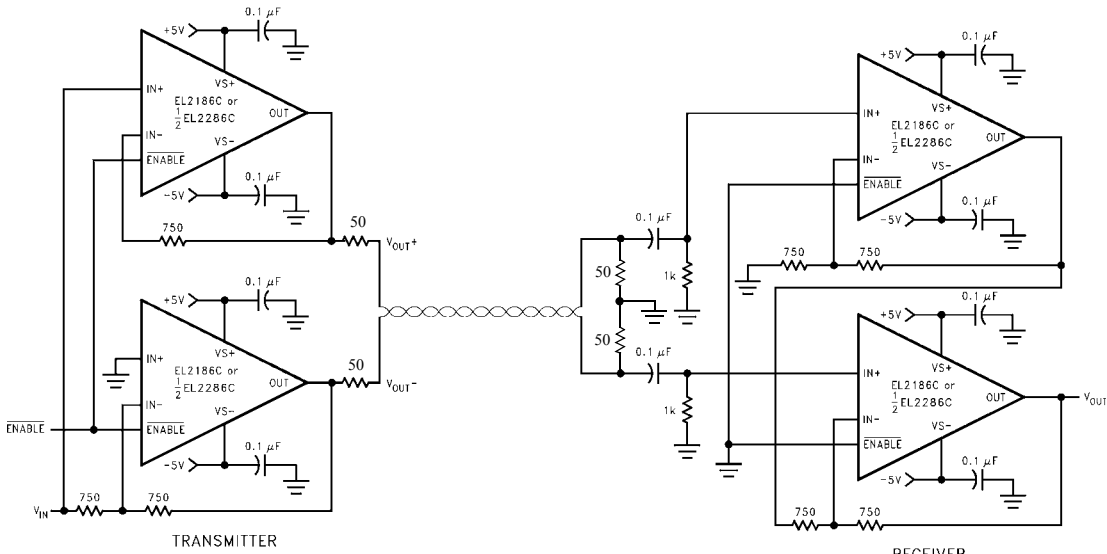
Typical Application Circuits (Continued)



INVERTING 200mA OUTPUT CURRENT DISTRIBUTION AMPLIFIER



FAST-SETTLING PRECISION AMPLIFIER



DIFFERENTIAL LINE-DRIVER/RECEIVER

**EL2186/EL2286 Macromodel**

```

* EL2186 Macromodel
* Revision A, March 1995
* AC characteristics used: Rf = Rg = 750 ohms
* Connections:      +input
*                   |
*                   | -input
*                   | |
*                   | | +Vsupply
*                   | | |
*                   | | | -Vsupply
*                   | | | |
*                   | | | | output
*                   | | | | |
.subckt EL2186/e. 2 7 4 6
*
* Input Stage
*
e1 10 0 3 0 1.0
vis 10 9 0V
h2 9 12 vxx 1.0
r1 2 11 400
l1 11 12 25nH
iinp 3 0 1.5uA
iinm 2 0 3uA
r12 3 0 2Meg
*
* Slew Rate Limiting
*
h1 13 0 vis 600
r2 13 14 1K
d1 14 0 dclamp
d2 0 14 dclamp
*
* High Frequency Pole
*
e2 30 0 14 0 0.001666666666
l3 30 17 150nH
c5 17 0 0.8pF
r5 17 0 165
*
* Transimpedance Stage
*
g1 0 18 17 0 1.0
ro1 18 0 450K
cdp 18 0 0.675pF
*
* Output Stage
*
q1 4 18 19 qp
q2 7 18 20 qn
q3 7 19 21 qn
q4 4 20 22 qp
r7 21 6 4
r8 22 6 4
ios1 7 19 1mA
ios2 20 4 1mA
*
* Supply Current
ips 7 4 0.2mA
*
* Error Terms
*
ivos 0 23 0.2mA

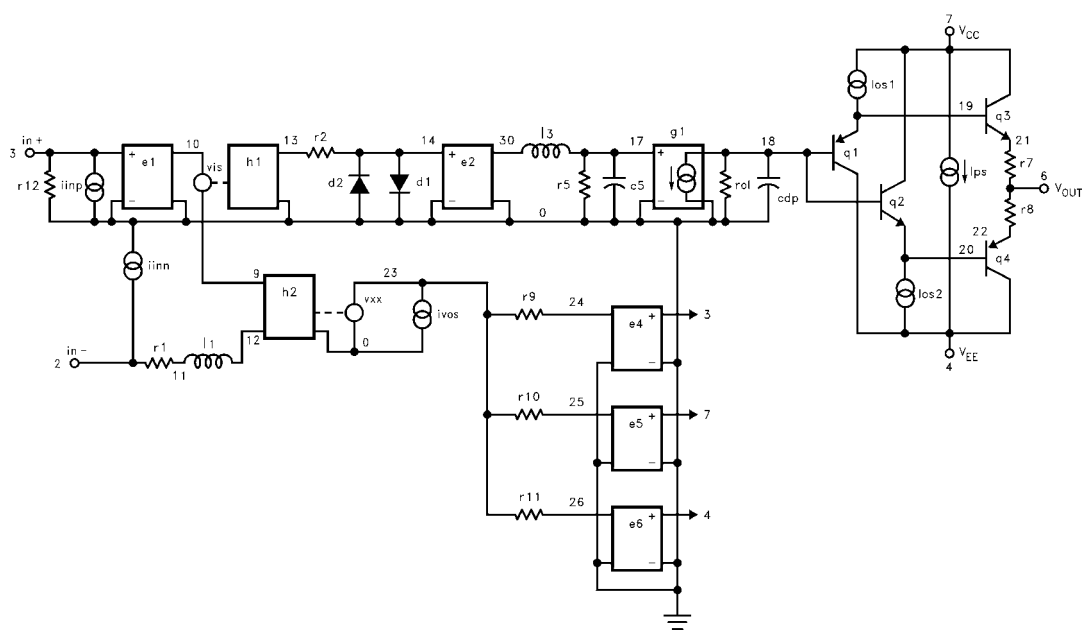
```

```
vxx 23 0 0V
e4 24 0 3 0 1.0
e5 25 0 7 0 1.0
e6 26 0 4 0 -1.0
r9 24 23 316
r10 25 23 3.2K
r11 26 23 3.2K
```

```
*
* Models
*
```

```
.model qn npn(is=5e-15 bf=200 tf=0.01nS)
*.model qp pnp(is=5e-15 bf=200 tf=0.01nS)
.model dclamp d(is=1e-30 ibv=0.266
+ bv=0.71v n=4)
.ends
```

**EL2186/EL2286 Macromodel**



All Intersil U.S. products are manufactured, assembled and tested utilizing ISO9000 quality systems. Intersil Corporation's quality certifications can be viewed at [www.intersil.com/design/quality](http://www.intersil.com/design/quality)

*Intersil products are sold by description only. Intersil Corporation reserves the right to make changes in circuit design, software and/or specifications at any time without notice. Accordingly, the reader is cautioned to verify that data sheets are current before placing orders. Information furnished by Intersil is believed to be accurate and reliable. However, no responsibility is assumed by Intersil or its subsidiaries for its use; nor for any infringements of patents or other rights of third parties which may result from its use. No license is granted by implication or otherwise under any patent or patent rights of Intersil or its subsidiaries.*

For information regarding Intersil Corporation and its products, see [www.intersil.com](http://www.intersil.com)

This datasheet has been downloaded from:

[www.DatasheetCatalog.com](http://www.DatasheetCatalog.com)

Datasheets for electronic components.



LittleDiode supplies new, hard to find or obsolete electronic components and semiconductors all over the world.

With over two million different components listed you are sure to find the part you need.

Feel free to visit us today at our online store:

**[LittleDiode.com](http://LittleDiode.com)**

Looking forward to providing you with the best possible service.