

DATA SHEET

For a complete data sheet, please also download:

- The IC04 LOCMOS HE4000B Logic Family Specifications HEF, HEC
- The IC04 LOCMOS HE4000B Logic Package Outlines/Information HEF, HEC

HEF4001B

gates

Quadruple 2-input NOR gate

Product specification
File under Integrated Circuits, IC04

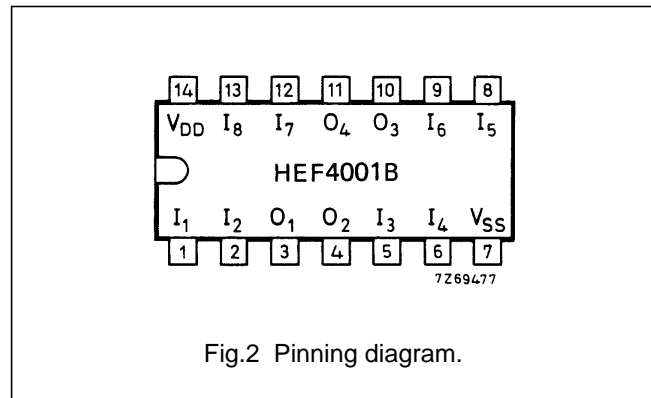
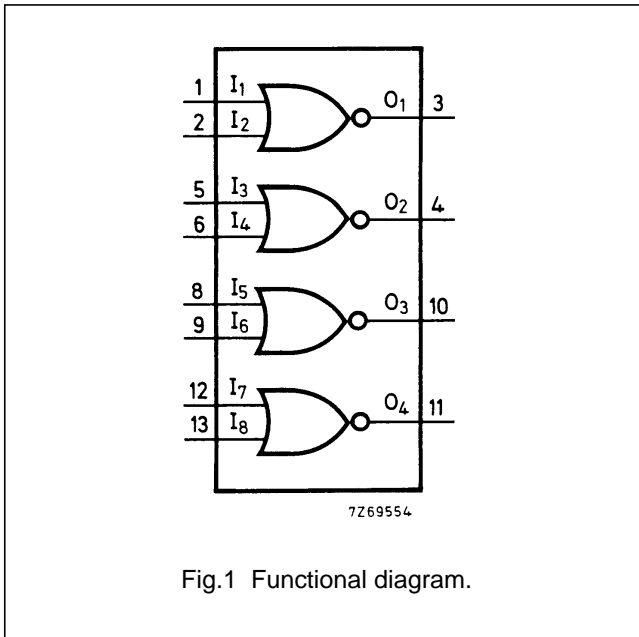
January 1995

Quadruple 2-input NOR gate

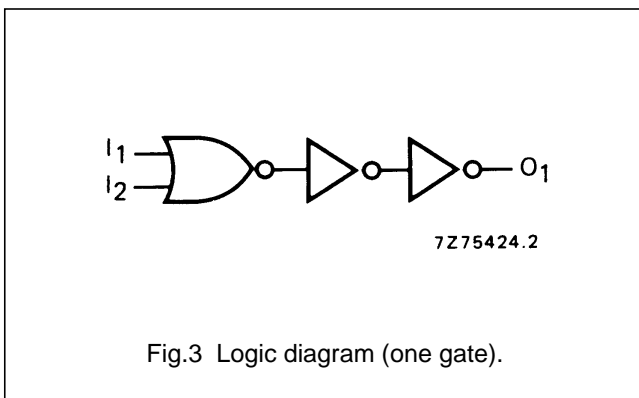
HEF4001B gates

DESCRIPTION

The HEF4001B provides the positive quadruple 2-input NOR function. The outputs are fully buffered for highest noise immunity and pattern insensitivity of output impedance.



- HEF4001BP(N): 14-lead DIL; plastic (SOT27-1)
 - HEF4001BD(F): 14-lead DIL; ceramic (cerdip) (SOT73)
 - HEF4001BT(D): 14-lead SO; plastic (SOT108-1)
- () : Package Designator North America



FAMILY DATA, I_{DD} LIMITS category GATES

See Family Specifications

Quadruple 2-input NOR gate

HEF4001B gates

AC CHARACTERISTICS

$V_{SS} = 0$ V; $T_{amb} = 25$ °C; $C_L = 50$ pF; input transition times ≤ 20 ns

	V_{DD} V	SYMBOL	TYP	MAX		TYPICAL EXTRAPOLATION FORMULA
Propagation delays $I_n \rightarrow O_n$ HIGH to LOW	5	t_{PHL}	60	120	ns	33 ns + (0,55 ns/pF) C_L
	10		25	50	ns	14 ns + (0,23 ns/pF) C_L
	15		20	40	ns	12 ns + (0,16 ns/pF) C_L
LOW to HIGH	5	t_{PLH}	50	100	ns	23 ns + (0,55 ns/pF) C_L
	10		25	45	ns	14 ns + (0,23 ns/pF) C_L
	15		20	35	ns	12 ns + (0,16 ns/pF) C_L
Output transition times HIGH to LOW	5	t_{THL}	60	120	ns	10 ns + (1,0 ns/pF) C_L
	10		30	60	ns	9 ns + (0,42 ns/pF) C_L
	15		20	40	ns	6 ns + (0,28 ns/pF) C_L
LOW to HIGH	5	t_{TLH}	60	120	ns	10 ns + (1,0 ns/pF) C_L
	10		30	60	ns	9 ns + (0,42 ns/pF) C_L
	15		20	40	ns	6 ns + (0,28 ns/pF) C_L

	V_{DD} V	TYPICAL FORMULA FOR P (μ W)	
Dynamic power dissipation per package (P)	5	$1100 f_i + \sum (f_o C_L) \times V_{DD}^2$	where f_i = input freq. (MHz) f_o = output freq. (MHz) C_L = load capacitance (pF) $\sum (f_o C_L)$ = sum of outputs V_{DD} = supply voltage (V)
	10	$5000 f_i + \sum (f_o C_L) \times V_{DD}^2$	
	15	$14\,200 f_i + \sum (f_o C_L) \times V_{DD}^2$	



LittleDiode supplies new, hard to find or obsolete electronic components and semiconductors all over the world.

With over two million different components listed you are sure to find the part you need.

Feel free to visit us today at our online store:

LittleDiode.com

Looking forward to providing you with the best possible service.