

DATA SHEET

For a complete data sheet, please also download:

- The IC04 LOCMOS HE4000B Logic Family Specifications HEF, HEC
- The IC04 LOCMOS HE4000B Logic Package Outlines/Information HEF, HEC

HEF40174B **MSI** Hex D-type flip-flop

Product specification
File under Integrated Circuits, IC04

January 1995

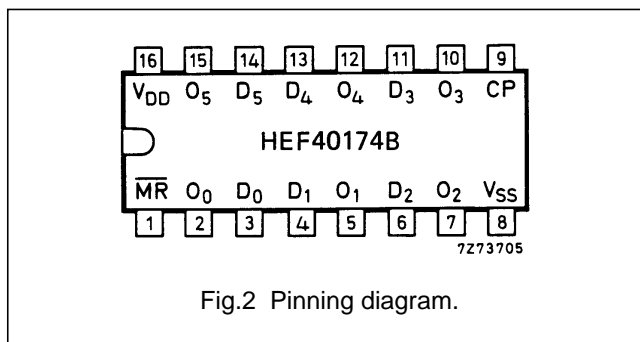
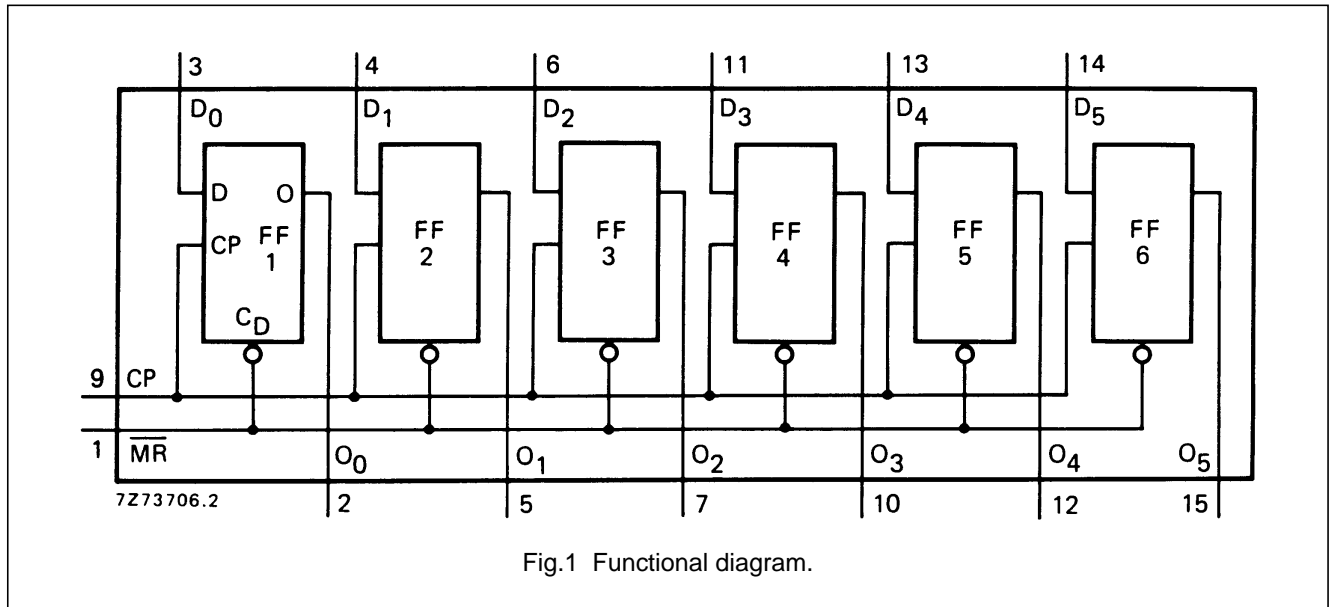
Hex D-type flip-flop

HEF40174B MSI

DESCRIPTION

The HEF40174B is a hex edge-triggered D-type flip-flop with six data inputs (D₀ to D₅), a clock input (CP), an overriding asynchronous master reset input ($\overline{\text{MR}}$), and six

buffered outputs (O₀ to O₅). Information on D₀ to D₅ is transferred to O₀ to O₅ on the LOW to HIGH transition of CP if $\overline{\text{MR}}$ is HIGH. When LOW, $\overline{\text{MR}}$ resets all flip-flops (O₀ to O₅ = LOW) independent of CP and D₀ to D₅.



PINNING

- D₀ to D₅ data inputs
- CP clock input (LOW to HIGH; edge-triggered)
- $\overline{\text{MR}}$ master reset input (active LOW)
- O₀ to O₅ buffered outputs

FUNCTION TABLE

INPUTS			OUTPUT
CP	D	$\overline{\text{MR}}$	O
	H	H	H
	L	H	L
	X	H	no change
X	X	L	L

Notes

1. H = HIGH state (the more positive voltage)
L = LOW state (the less positive voltage)
X = state is immaterial

= positive-going transition

= negative-going transition

HEF40174BP(N): 16-lead DIL; plastic (SOT38-1)

HEF40174BD(F): 16-lead DIL; ceramic (cerdip) (SOT74)

HEF40174BT(D): 16-lead SO; plastic (SOT109-1)

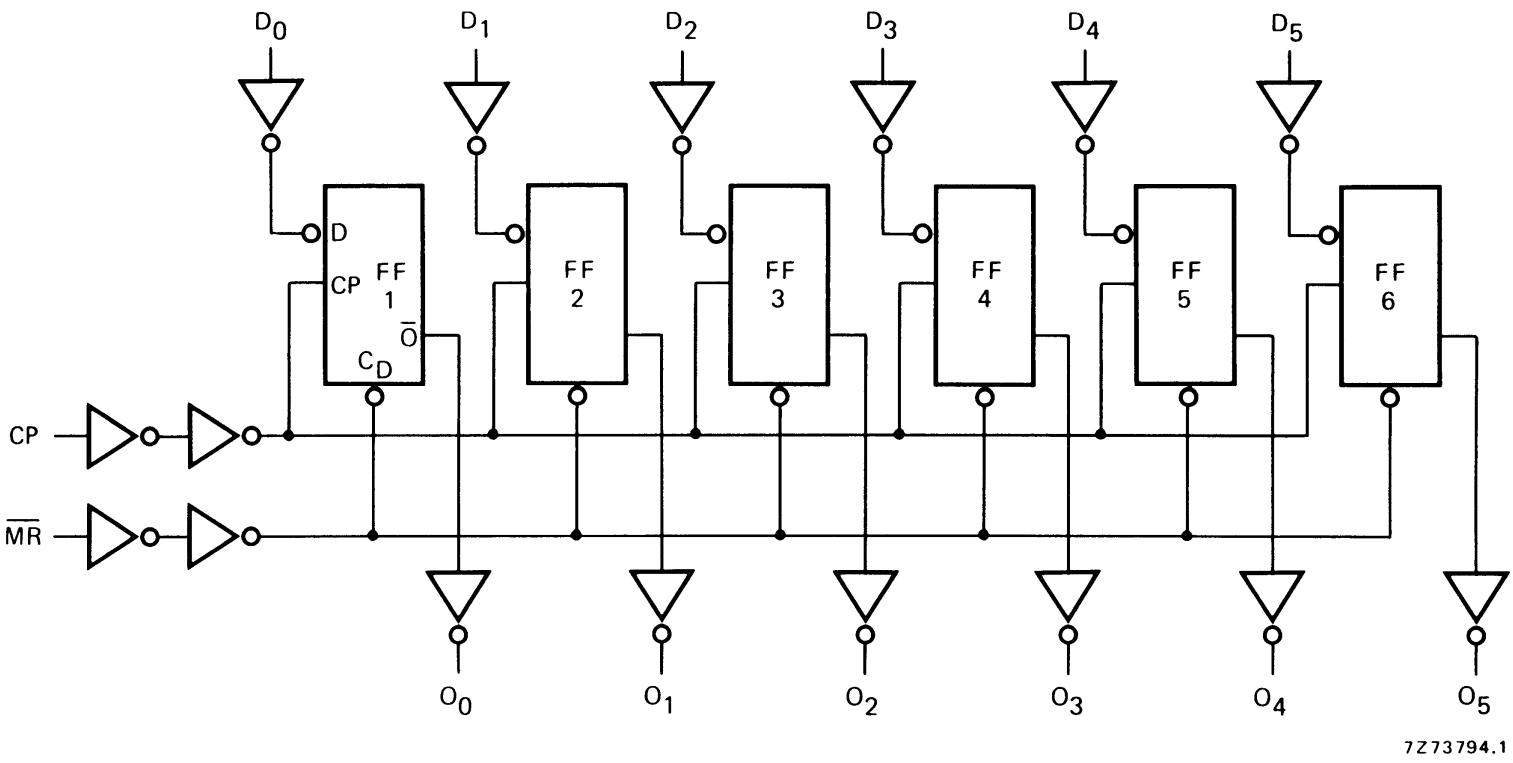
(): Package Designator North America

FAMILY DATA, I_{DD} LIMITS category MSI

See Family Specifications

Hex D-type flip-flop

HEF40174B
MSI



7273794.1

Fig.3 Logic diagram.

Hex D-type flip-flop

HEF40174B
MSI**AC CHARACTERISTICS** $V_{SS} = 0\text{ V}$; $T_{amb} = 25\text{ }^{\circ}\text{C}$; $C_L = 50\text{ pF}$; input transition times $\leq 20\text{ ns}$

	V_{DD} V	SYMBOL	MIN.	TYP.	MAX.	TYPICAL EXTRAPOLATION FORMULA
Propagation delays $CP \rightarrow O_n$ HIGH to LOW	5	t_{PHL}	75	155	ns	$48\text{ ns} + (0,55\text{ ns/pF}) C_L$
	10		30	65	ns	$19\text{ ns} + (0,23\text{ ns/pF}) C_L$
	15		20	45	ns	$12\text{ ns} + (0,16\text{ ns/pF}) C_L$
LOW to HIGH	5	t_{PLH}	75	155	ns	$48\text{ ns} + (0,55\text{ ns/pF}) C_L$
	10		30	65	ns	$19\text{ ns} + (0,23\text{ ns/pF}) C_L$
	15		20	45	ns	$12\text{ ns} + (0,16\text{ ns/pF}) C_L$
$\overline{MR} \rightarrow O_n$ HIGH to LOW	5	t_{PHL}	85	175	ns	$58\text{ ns} + (0,55\text{ ns/pF}) C_L$
	10		35	70	ns	$24\text{ ns} + (0,23\text{ ns/pF}) C_L$
	15		25	50	ns	$17\text{ ns} + (0,16\text{ ns/pF}) C_L$
Output transition times HIGH to LOW	5	t_{THL}	60	120	ns	$10\text{ ns} + (1,0\text{ ns/pF}) C_L$
	10		30	60	ns	$9\text{ ns} + (0,42\text{ ns/pF}) C_L$
	15		20	40	ns	$6\text{ ns} + (0,28\text{ ns/pF}) C_L$
LOW to HIGH	5	t_{TLH}	60	120	ns	$10\text{ ns} + (1,0\text{ ns/pF}) C_L$
	10		30	60	ns	$9\text{ ns} + (0,42\text{ ns/pF}) C_L$
	15		20	40	ns	$6\text{ ns} + (0,28\text{ ns/pF}) C_L$
Set-up time $D_n \rightarrow CP$	5	t_{su}	20	10	ns	see also waveforms Fig.4
	10		10	5	ns	
	15		10	5	ns	
Hold time $D_n \rightarrow CP$	5	t_{hold}	10	0	ns	
	10		5	0	ns	
	15		5	0	ns	
Minimum clock pulse width; LOW	5	t_{WCPL}	70	35	ns	
	10		30	15	ns	
	15		20	10	ns	
Minimum \overline{MR} pulse width; LOW	5	t_{WMRL}	70	35	ns	
	10		35	15	ns	
	15		25	10	ns	
Recovery time for \overline{MR}	5	t_{RMR}	45	25	ns	
	10		20	10	ns	
	15		15	5	ns	
Maximum clock pulse frequency	5	f_{max}	5	11	MHz	
	10		15	30	MHz	
	15		20	45	MHz	

Hex D-type flip-flop

HEF40174B
MSI

	V_{DD} V	TYPICAL FORMULA FOR P(μ W)	
Dynamic power dissipation per package (P)	5 10 15	$3500 f_i + \sum (f_o C_L) \times V_{DD}^2$ $16\,000 f_i + \sum (f_o C_L) \times V_{DD}^2$ $42\,000 f_i + \sum (f_o C_L) \times V_{DD}^2$	where f_i = input freq. (MHz) f_o = output freq. (MHz) C_L = load capacitance (pF) $\sum (f_o C_L)$ = sum of outputs V_{DD} = supply voltage (V)

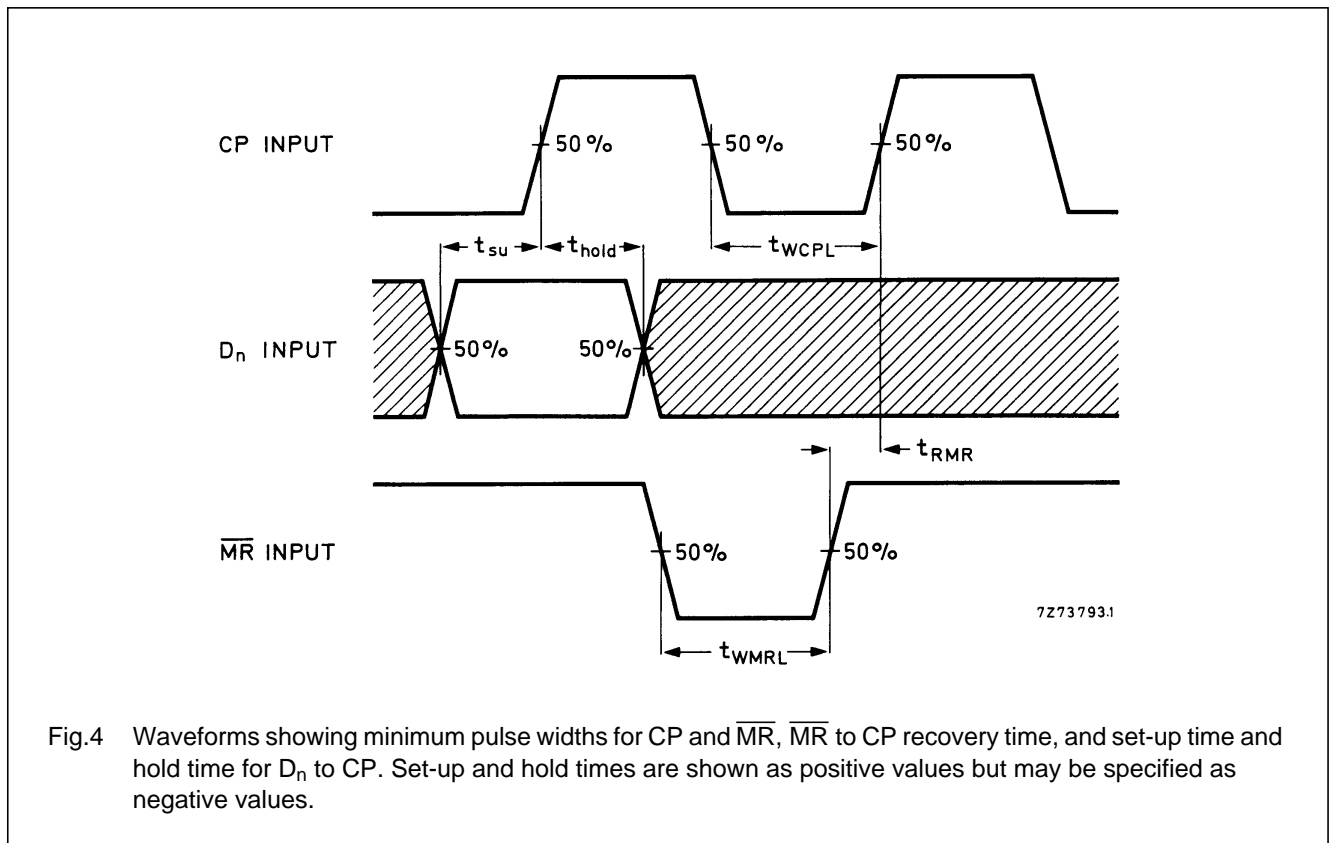


Fig.4 Waveforms showing minimum pulse widths for CP and MR, MR to CP recovery time, and set-up time and hold time for D_n to CP. Set-up and hold times are shown as positive values but may be specified as negative values.

APPLICATION INFORMATION

Some examples of applications for the HEF40174B are:

- Shift registers
- Buffer/storage register
- Pattern generator



LittleDiode supplies new, hard to find or obsolete electronic components and semiconductors all over the world.

With over two million different components listed you are sure to find the part you need.

Feel free to visit us today at our online store:

LittleDiode.com

Looking forward to providing you with the best possible service.