

DATA SHEET

For a complete data sheet, please also download:

- The IC04 LOCMOS HE4000B Logic Family Specifications HEF, HEC
- The IC04 LOCMOS HE4000B Logic Package Outlines/Information HEF, HEC

HEF4512B

MSI

8-input multiplexer with 3-state output

Product specification
File under Integrated Circuits, IC04

January 1995

8-input multiplexer with 3-state output

HEF4512B
MSI

DESCRIPTION

The HEF4512B is an 8-input multiplexer with 8 binary inputs (I_0 to I_7), an enable input (\bar{E}) and an output enable input (\bar{EO}). One of eight binary inputs is selected by select inputs S_0 , S_1 and S_2 , and is routed to the output O . A HIGH on \bar{EO} causes O to assume a high impedance OFF-state, regardless of other input conditions. This allows the output

to interface directly with bus oriented systems (3-state). When the active LOW enable (\bar{E}) is HIGH, it forces the output LOW provided \bar{EO} is LOW. By proper manipulation of the inputs, the device can provide any logic functions of four variables. It cannot be used to multiplex analogue signals.

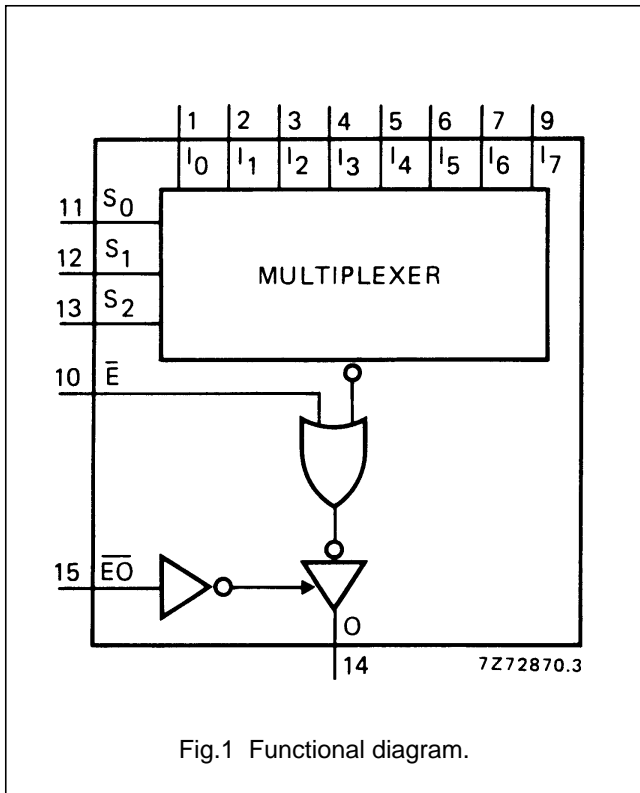


Fig.1 Functional diagram.

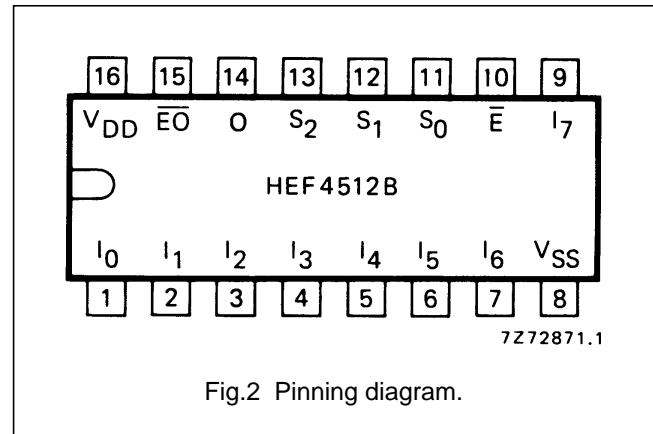


Fig.2 Pinning diagram.

- HEF4512BP(N): 16-lead DIL; plastic (SOT38-1)
- HEF4512BD(F): 16-lead DIL; ceramic (cerdip) (SOT74)
- HEF4512BT(D): 16-lead SO; plastic (SOT109-1)
- (): Package Designator North America

PINNING

- S_0, S_1, S_2 select inputs
- \bar{EO} output enable (active LOW)
- \bar{E} enable (active LOW)
- I_0 to I_7 multiplexer inputs
- O multiplexer output

FAMILY DATA, I_{DD} LIMITS category MSI

See Family Specifications

8-input multiplexer with 3-state output

HEF4512B
MSI

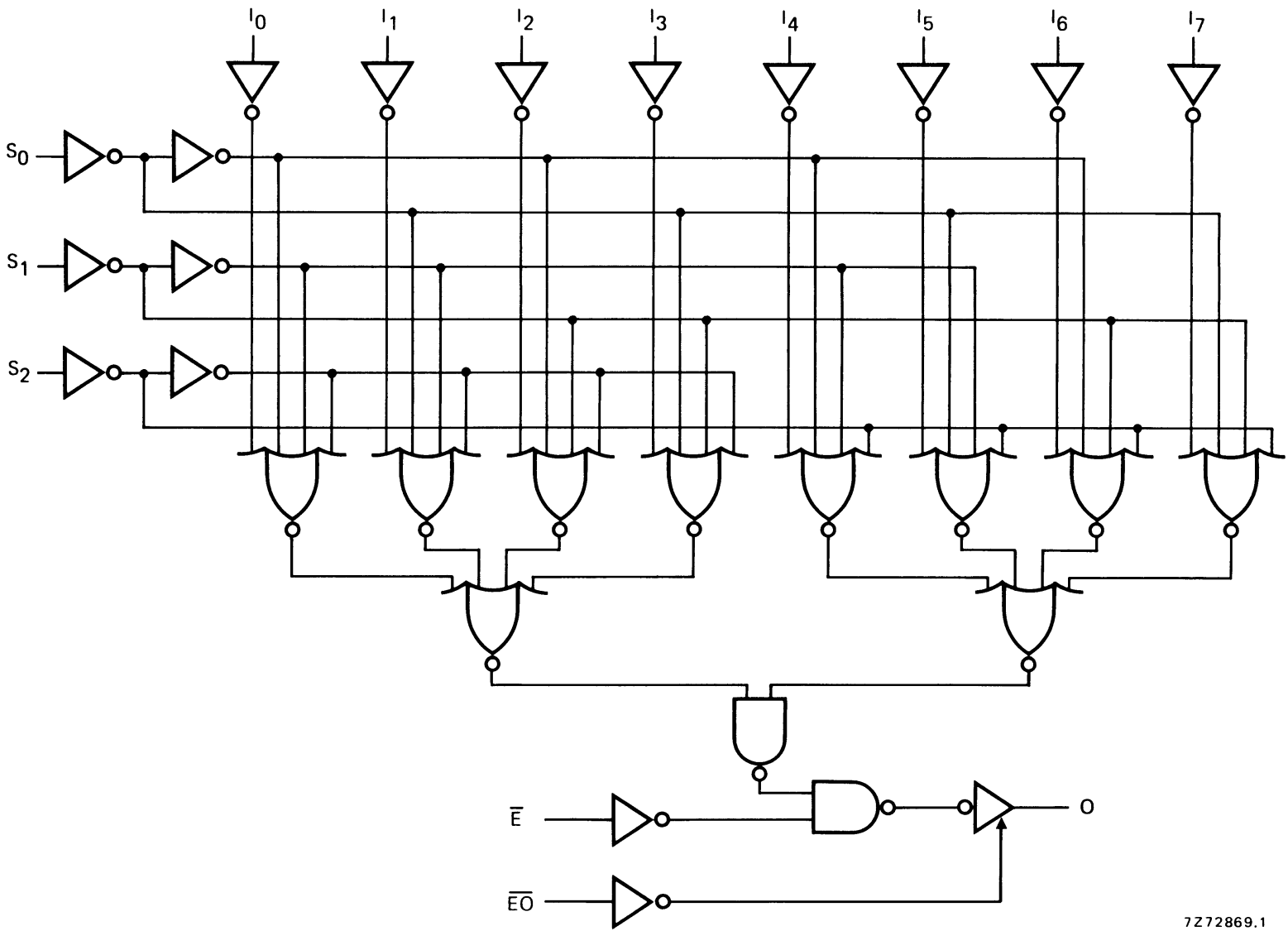


Fig.3 Logic diagram.

8-input multiplexer with 3-state output

HEF4512B
MSI

TRUTH TABLE

| INPUTS | | | | | | | | | | | | | OUTPUT |
|-----------------|----------------|-------|-------|-------|-------|-------|-------|-------|-------|-------|-------|-------|--------|
| \overline{EO} | \overline{E} | S_2 | S_1 | S_0 | I_0 | I_1 | I_2 | I_3 | I_4 | I_5 | I_6 | I_7 | O |
| L | H | X | X | X | X | X | X | X | X | X | X | X | L |
| L | L | L | L | L | L | X | X | X | X | X | X | X | L |
| L | L | L | L | L | H | X | X | X | X | X | X | X | H |
| L | L | L | L | H | X | L | X | X | X | X | X | X | L |
| L | L | L | L | H | X | H | X | X | X | X | X | X | H |
| L | L | L | H | L | X | X | L | X | X | X | X | X | L |
| L | L | L | H | L | X | X | H | X | X | X | X | X | H |
| L | L | L | H | H | X | X | X | L | X | X | X | X | L |
| L | L | L | H | H | X | X | X | H | X | X | X | X | H |
| L | L | H | L | L | X | X | X | X | L | X | X | X | L |
| L | L | H | L | L | X | X | X | X | H | X | X | X | H |
| L | L | H | L | H | X | X | X | X | X | L | X | X | L |
| L | L | H | L | H | X | X | X | X | X | H | X | X | H |
| L | L | H | H | L | X | X | X | X | X | X | L | X | L |
| L | L | H | H | H | X | X | X | X | X | X | X | L | L |
| L | L | H | H | H | X | X | X | X | X | X | X | H | H |
| H | X | X | X | X | X | X | X | X | X | X | X | X | Z |

Notes

- 1. H = HIGH state (the more positive voltage)
- L = LOW state (the less positive voltage)
- X = state is immaterial
- Z = high impedance OFF-state

AC CHARACTERISTICS

$V_{SS} = 0\text{ V}$; $T_{amb} = 25\text{ }^\circ\text{C}$; input transition times $\leq 20\text{ ns}$

| | V_{DD} V | TYPICAL FORMULA FOR P (μW) | |
|---|---------------|--|---|
| Dynamic power dissipation per package (P) | 5 10 15 | $500 f_i + \sum (f_o C_L) \times V_{DD}^2$ $2100 f_i + \sum (f_o C_L) \times V_{DD}^2$ $5800 f_i + \sum (f_o C_L) \times V_{DD}^2$ | where f_i = input freq. (MHz) f_o = output freq. (MHz) C_L = load capacitance (pF) $\sum (f_o C_L)$ = sum of outputs V_{DD} = supply voltage (V) |

8-input multiplexer with 3-state output

HEF4512B
MSI**AC CHARACTERISTICS** $V_{SS} = 0\text{ V}$; $T_{amb} = 25\text{ }^{\circ}\text{C}$; $C_L = 50\text{ pF}$; input transition times $\leq 20\text{ ns}$

| | V_{DD} V | SYMBOL | TYP. | MAX. | | TYPICAL EXTRAPOLATION FORMULA |
|----------------------------|---------------|-----------|------|------|----|----------------------------------|
| Propagation delays | | | | | | |
| $I_n \rightarrow O$ | 5 | | 100 | 200 | ns | 73 ns + (0,55 ns/pF) C_L |
| HIGH to LOW | 10 | t_{PHL} | 40 | 80 | ns | 29 ns + (0,23 ns/pF) C_L |
| | 15 | | 30 | 60 | ns | 22 ns + (0,16 ns/pF) C_L |
| LOW to HIGH | 5 | t_{PLH} | 100 | 200 | ns | 73 ns + (0,55 ns/pF) C_L |
| | 10 | | 40 | 80 | ns | 29 ns + (0,23 ns/pF) C_L |
| | 15 | | 30 | 60 | ns | 22 ns + (0,16 ns/pF) C_L |
| $S_n \rightarrow O$ | 5 | | 140 | 280 | ns | 113 ns + (0,55 ns/pF) C_L |
| HIGH to LOW | 10 | t_{PHL} | 55 | 110 | ns | 44 ns + (0,23 ns/pF) C_L |
| | 15 | | 40 | 80 | ns | 32 ns + (0,16 ns/pF) C_L |
| LOW to HIGH | 5 | t_{PLH} | 150 | 300 | ns | 123 ns + (0,55 ns/pF) C_L |
| | 10 | | 60 | 120 | ns | 49 ns + (0,23 ns/pF) C_L |
| | 15 | | 40 | 80 | ns | 32 ns + (0,16 ns/pF) C_L |
| $\bar{E} \rightarrow O$ | 5 | | 60 | 120 | ns | 33 ns + (0,55 ns/pF) C_L |
| HIGH to LOW | 10 | t_{PHL} | 25 | 50 | ns | 14 ns + (0,23 ns/pF) C_L |
| | 15 | | 20 | 40 | ns | 12 ns + (0,16 ns/pF) C_L |
| LOW to HIGH | 5 | t_{PLH} | 55 | 110 | ns | 28 ns + (0,55 ns/pF) C_L |
| | 10 | | 25 | 50 | ns | 14 ns + (0,23 ns/pF) C_L |
| | 15 | | 20 | 40 | ns | 12 ns + (0,16 ns/pF) C_L |
| Output transition times | | | | | | |
| HIGH to LOW | 5 | | 60 | 120 | ns | 10 ns + (1,0 ns/pF) C_L |
| | 10 | t_{THL} | 30 | 60 | ns | 9 ns + (0,42 ns/pF) C_L |
| | 15 | | 20 | 40 | ns | 6 ns + (0,28 ns/pF) C_L |
| LOW to HIGH | 5 | t_{TLH} | 60 | 120 | ns | 10 ns + (1,0 ns/pF) C_L |
| | 10 | | 30 | 60 | ns | 9 ns + (0,42 ns/pF) C_L |
| | 15 | | 20 | 40 | ns | 6 ns + (0,28 ns/pF) C_L |
| 3-state propagation delays | | | | | | |
| Output disable times | | | | | | |
| $\bar{E}O \rightarrow O$ | 5 | | 35 | 70 | ns | |
| HIGH | 10 | t_{PHZ} | 20 | 40 | ns | |
| | 15 | | 15 | 30 | ns | |
| LOW | 5 | t_{PLZ} | 35 | 70 | ns | |
| | 10 | | 15 | 30 | ns | |
| | 15 | | 10 | 20 | ns | |
| Output enable times | | | | | | |
| $\bar{E}O \rightarrow O$ | 5 | | 35 | 70 | ns | |
| HIGH | 10 | t_{PZH} | 15 | 30 | ns | |
| | 15 | | 10 | 20 | ns | |

8-input multiplexer with 3-state output

HEF4512B
MSI

| | V _{DD} V | SYMBOL | TYP. | MAX. | | TYPICAL EXTRAPOLATION FORMULA |
|-----|----------------------|------------------|------|------|----|----------------------------------|
| LOW | 5 | t _{PZL} | 35 | 70 | ns | |
| | 10 | | 20 | 40 | ns | |
| | 15 | | 15 | 30 | ns | |

APPLICATION INFORMATION

Some examples of applications for the HEF4512B are:

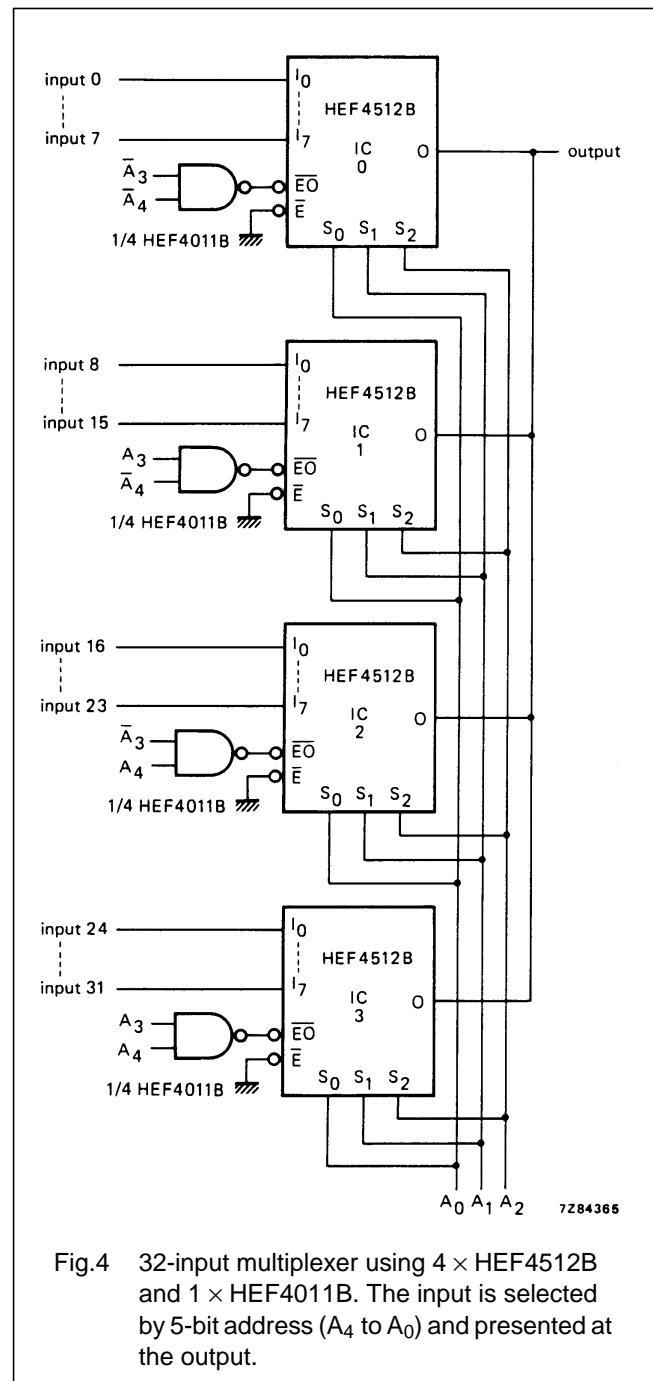
- Signal gating
- Digital multiplexing
- Number sequence generation

8-input multiplexer with 3-state output

HEF4512B
MSI

TRUTH TABLE for Fig. 4

| A ₄ | A ₃ | A ₂ | A ₁ | A ₀ | INPUT CONN. TO OUTPUT |
|----------------|----------------|----------------|----------------|----------------|-----------------------|
| L | L | L | L | L | 0 |
| L | L | L | L | H | 1 |
| L | L | L | H | L | 2 |
| L | L | L | H | H | 3 |
| L | L | H | L | L | 4 |
| L | L | H | L | H | 5 |
| L | L | H | H | L | 6 |
| L | L | H | H | H | 7 |
| L | H | L | L | L | 8 |
| L | H | L | L | H | 9 |
| L | H | L | H | L | 10 |
| L | H | L | H | H | 11 |
| L | H | H | L | L | 12 |
| L | H | H | L | H | 13 |
| L | H | H | H | L | 14 |
| L | H | H | H | H | 15 |
| H | L | L | L | L | 16 |
| H | L | L | L | H | 17 |
| H | L | L | H | L | 18 |
| H | L | L | H | H | 19 |
| H | L | H | L | L | 20 |
| H | L | H | L | H | 21 |
| H | L | H | H | L | 22 |
| H | L | H | H | H | 23 |
| H | H | L | L | L | 24 |
| H | H | L | L | H | 25 |
| H | H | L | H | L | 26 |
| H | H | L | H | H | 27 |
| H | H | H | L | L | 28 |
| H | H | H | L | H | 29 |
| H | H | H | H | L | 30 |
| H | H | H | H | H | 31 |





LittleDiode supplies new, hard to find or obsolete electronic components and semiconductors all over the world.

With over two million different components listed you are sure to find the part you need.

Feel free to visit us today at our online store:

LittleDiode.com

Looking forward to providing you with the best possible service.