

# DATA SHEET

For a complete data sheet, please also download:

- The IC04 LOCMOS HE4000B Logic Family Specifications HEF, HEC
- The IC04 LOCMOS HE4000B Logic Package Outlines/Information HEF, HEC

## **HEF4556B**

### **MSI**

## **Dual 1-of-4 decoder/demultiplexer**

Product specification  
File under Integrated Circuits, IC04

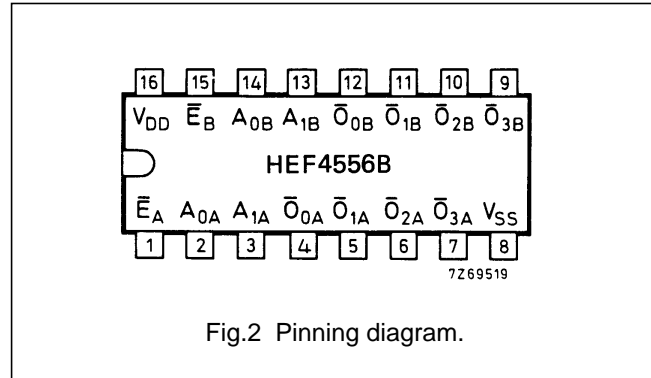
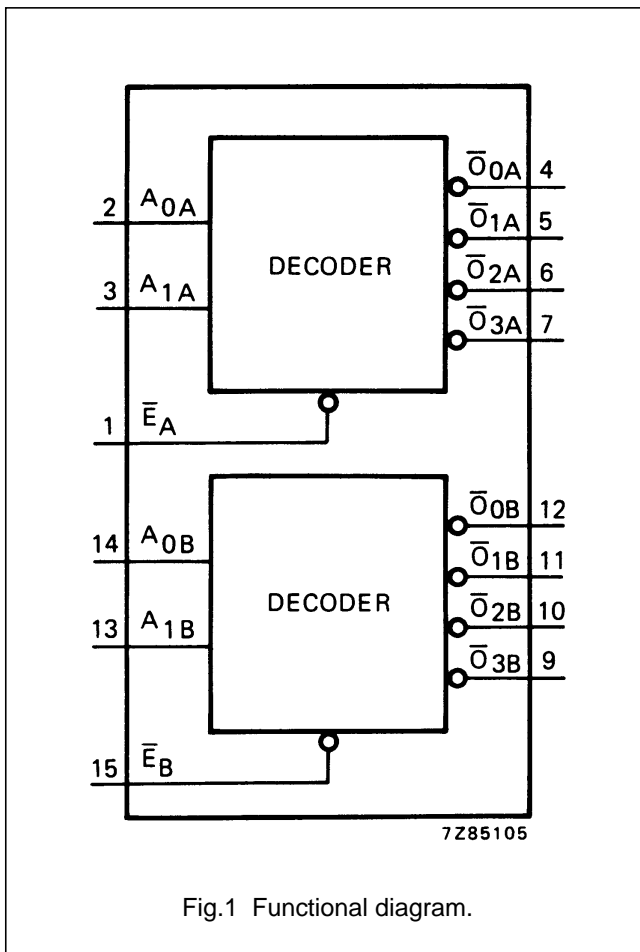
January 1995

# Dual 1-of-4 decoder/demultiplexer

# HEF4556B MSI

### DESCRIPTION

The HEF4556B is a dual 1-of-4 decoder/demultiplexer. Each has two address inputs ( $A_0$  and  $A_1$ ), an active LOW enable input ( $\bar{E}$ ) and four mutually exclusive outputs which are active LOW ( $\bar{O}_0$  to  $\bar{O}_3$ ). When used as a decoder,  $\bar{E}$  when HIGH, forces  $\bar{O}_0$  to  $\bar{O}_3$  HIGH. When used as a demultiplexer, the appropriate output is selected by the information on  $A_0$  and  $A_1$  with  $\bar{E}$  as data input. All unselected outputs are HIGH.



- HEF4556BP(N): 16-lead DIL; plastic (SOT38-1)
  - HEF4556BD(F): 16-lead DIL; ceramic (cerdip) (SOT74)
  - HEF4556BT(D): 16-lead SO; plastic (SOT109-1)
- ( ): Package Designator North America

### PINNING

- $\bar{E}$  enable inputs (active LOW)
- $A_0$  and  $A_1$  address inputs
- $\bar{O}_0$  to  $\bar{O}_3$  outputs (active LOW)

### FAMILY DATA, I<sub>DD</sub> LIMITS category MSI

See Family Specifications

Dual 1-of-4 decoder/demultiplexer

HEF4556B  
MSI

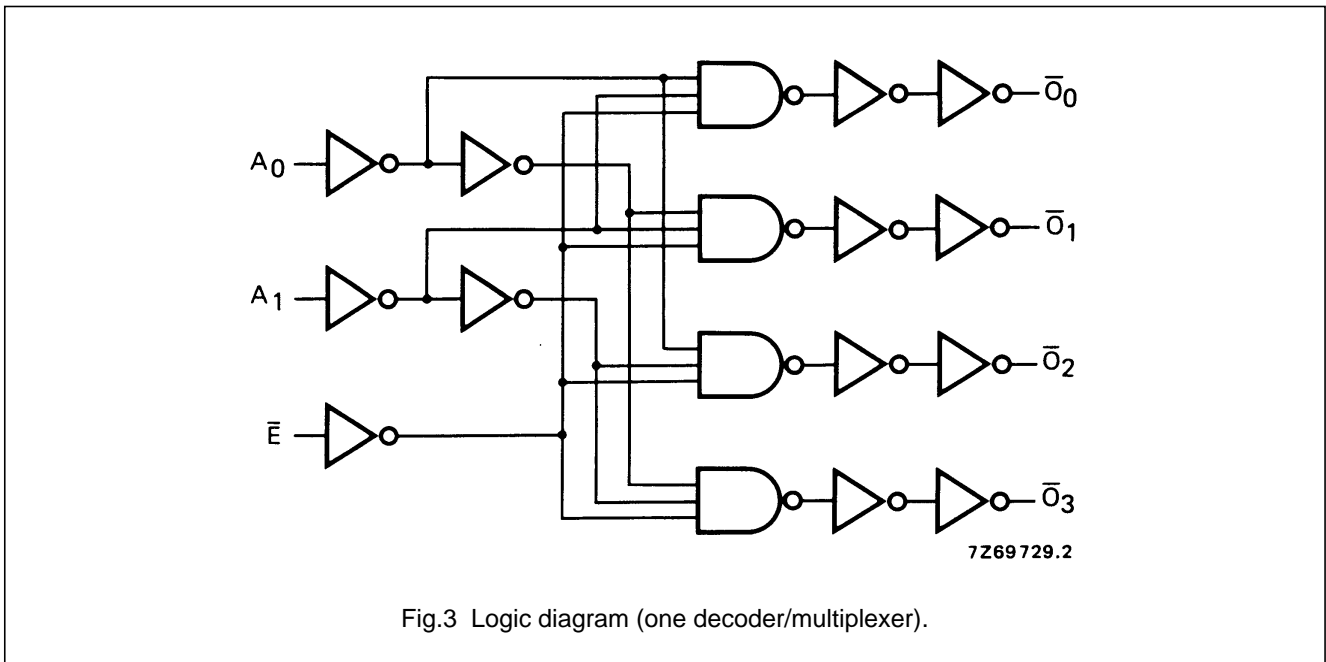


Fig.3 Logic diagram (one decoder/multiplexer).

TRUTH TABLE

INPUTS			OUTPUTS			
$\bar{E}$	$A_0$	$A_1$	$\bar{O}_0$	$\bar{O}_1$	$\bar{O}_2$	$\bar{O}_3$
L	L	L	L	H	H	H
L	H	L	H	L	H	H
L	L	H	H	H	L	H
L	H	H	H	H	H	L
H	X	X	H	H	H	H

Notes

1. H = HIGH state (the more positive voltage)
2. L = LOW state (the less positive voltage)
3. X = state is immaterial

## Dual 1-of-4 decoder/demultiplexer

HEF4556B  
MSI**AC CHARACTERISTICS** $V_{SS} = 0\text{ V}$ ;  $T_{amb} = 25\text{ °C}$ ;  $C_L = 50\text{ pF}$ ; input transition times  $\leq 20\text{ ns}$ 

	$V_{DD}$ V	SYMBOL	MIN.	TYP.	MAX.	TYPICAL EXTRAPOLATION FORMULA					
Propagation delays	5	$t_{PHL}$		130	255	ns	$103\text{ ns} + (0,55\text{ ns/pF}) C_L$				
				HIGH to LOW	10	50	100	ns	$39\text{ ns} + (0,23\text{ ns/pF}) C_L$		
					15	35	65	ns	$27\text{ ns} + (0,16\text{ ns/pF}) C_L$		
	5				$t_{PLH}$		105	210	ns	$78\text{ ns} + (0,55\text{ ns/pF}) C_L$	
				LOW to HIGH			10	40	85	ns	$29\text{ ns} + (0,23\text{ ns/pF}) C_L$
							15	30	60	ns	$22\text{ ns} + (0,16\text{ ns/pF}) C_L$
	5	$t_{PHL}$			120	240	ns	$93\text{ ns} + (0,55\text{ ns/pF}) C_L$			
				HIGH to LOW	10	45	90	ns	$34\text{ ns} + (0,23\text{ ns/pF}) C_L$		
					15	30	60	ns	$22\text{ ns} + (0,16\text{ ns/pF}) C_L$		
	5				$t_{PLH}$		105	205	ns	$78\text{ ns} + (0,55\text{ ns/pF}) C_L$	
				LOW to HIGH			10	40	80	ns	$29\text{ ns} + (0,23\text{ ns/pF}) C_L$
							15	30	60	ns	$22\text{ ns} + (0,16\text{ ns/pF}) C_L$
Output transition times	5	$t_{THL}$			60	120	ns	$10\text{ ns} + (1,0\text{ ns/pF}) C_L$			
				HIGH to LOW	10	30	60	ns	$9\text{ ns} + (0,42\text{ ns/pF}) C_L$		
					15	20	40	ns	$6\text{ ns} + (0,28\text{ ns/pF}) C_L$		
	5				$t_{TLH}$		60	120	ns	$10\text{ ns} + (1,0\text{ ns/pF}) C_L$	
				LOW to HIGH			10	30	60	ns	$9\text{ ns} + (0,42\text{ ns/pF}) C_L$
							15	20	40	ns	$6\text{ ns} + (0,28\text{ ns/pF}) C_L$

	$V_{DD}$ V	TYPICAL FORMULA FOR P ( $\mu\text{W}$ )	
Dynamic power dissipation per package (P)	5	$4400 f_i + \sum (f_o C_L) \times V_{DD}^2$	where $f_i$ = input freq. (MHz) $f_o$ = output freq. (MHz) $C_L$ = load capacitance (pF) $\sum (f_o C_L)$ = sum of outputs $V_{DD}$ = supply voltage (V)
	10	$18\ 000 f_i + \sum (f_o C_L) \times V_{DD}^2$	
	15	$43\ 300 f_i + \sum (f_o C_L) \times V_{DD}^2$	

**APPLICATION INFORMATION**

Some examples of applications for the HEF4556B are:

- Code conversion.
- Address decoding.
- Demultiplexing: when using the enable input as data input.



LittleDiode supplies new, hard to find or obsolete electronic components and semiconductors all over the world.

With over two million different components listed you are sure to find the part you need.

Feel free to visit us today at our online store:

[LittleDiode.com](http://LittleDiode.com)

Looking forward to providing you with the best possible service.