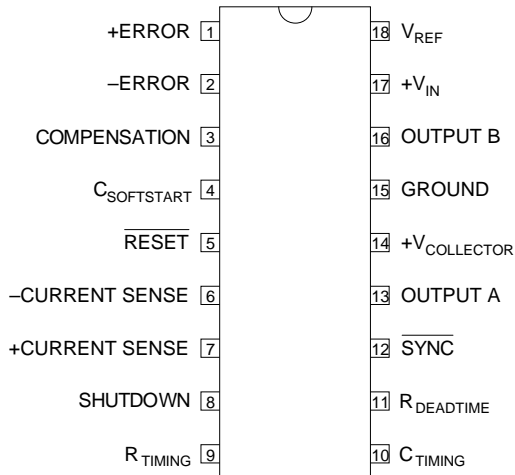


TOP VIEW



J Package – 18 Pin Ceramic DIP
 N Package – 18 Pin Plastic DIP
 DW Package – 18 Pin Plastic (300) SOIC

Order Information

Part Number	J-Pack 18 Pin	N-Pack 18 Pin	D-18 18 Pin	Temp. Range
IP1526	✓			-55 to +125°C
IP3526	✓	✓	✓	0 to +70°C

Note:

To order, add the package identifier to the part number.
 eg. IP1526J
 IP3526DW-18

REGULATING PULSE WIDTH MODULATOR

FEATURES

- 8 to 35V operation
- 5V reference trimmed to ±1%
- 1Hz to 400kHz oscillator range
- Dual 100mA source/sink outputs
- Digital current limiting
- Double pulse suppression
- Programmable deadtime
- Undervoltage lockout
- Single Pulse metering
- Programmable soft start
- Wide current limit common mode range
- TTL/CMOS compatible logic ports
- Symmetry correction capability
- Guaranteed 6 unit synchronisation

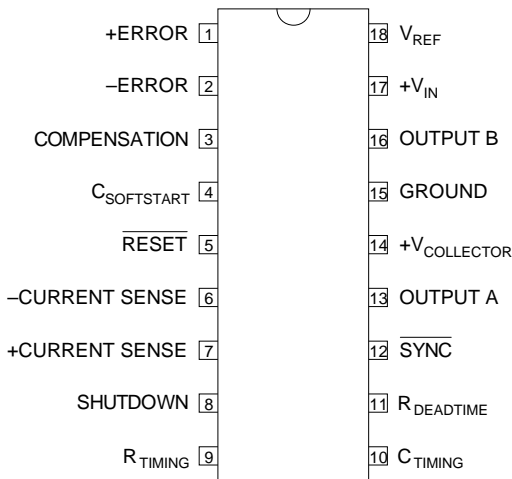
ABSOLUTE MAXIMUM RATINGS (T_{case} = 25°C unless otherwise stated)

+V _{IN}	Input Voltage		+40V
	Collector Supply Voltage		+40V
	Logic Inputs		-0.3 to +5.5V
	Analogue Inputs		-0.3 to +V _{IN}
	Source / Sink Load Current		200mA
	Reference Load Current		Internally Limited
	Logic Sink Current		15mA
P _D	Power Dissipation	T _A = 25°C	1W
		Derate @ T _A > 50°C	10mW/°C
P _D	Power Dissipation	T _C = 25°C	3W
		Derate @ T _C > 25°C	24mW/°C
T _J	Operating Junction Temperature		See Ordering Information
T _{STG}	Storage Temperature Range		-65 to +150°C
T _L	Lead Temperature	(soldering, 10 seconds)	+300°C

DESCRIPTION

The IP1526 and IP3526 high performance monolithic pulse width modulator circuits are designed for fixed-frequency switching regulators and other power control applications. Included in an 18-pin dual-in-line package are a temperature compensated voltage reference, sawtooth oscillator, error amplifier, pulse width modulator, pulse metering and steering logic, and two low impedance power drivers. Also included are protective features such as soft-start and under-voltage lockout, digital current limiting, double pulse inhibit, a data latch for single pulse metering, adjustable deadtime, and provision for symmetry correction inputs. For ease of interface, all digital control ports are TTL and B-series CMOS compatible. Active LOW logic design allows wired-OR connections for maximum flexibility. This versatile device can be used to implement single-ended or push-pull switching regulators of either polarity, both transformerless and transformer coupled.

BLOCK DIAGRAM



RECOMMENDED OPERATING CONDITIONS

V_{IN}	Input Voltage	+8 to +35V
	Collector Voltage	+4.5 to +35V
	Sink/Source Load Current (Each Output)	0 to 100mA
	Reference Load Current	0 to 20mA
	Oscillator Frequency Range	1Hz to 400kHz
R_T	Oscillator Timing Resistor	2k Ω to 150k Ω
C_T	Oscillator Timing Capacitor	470pF to 20 μ F
	Available Deadtime Range @ 40kHz	3% to 50%
	Operating Ambient Temperature Range	IP1526: -55 to +125°C IP3526: 0 to +70°C

ELECTRICAL CHARACTERISTICS (T_J = Over Operating Temperature Range unless otherwise stated)

Parameter	Test Conditions	IP1526			IP3526			Units
		Min.	Typ.	Max.	Min.	Typ.	Max.	
REFERENCE SECTION								
Output Voltage	$T_J = 25^\circ\text{C}$	4.95	5.0	5.05	4.9	5.0	5.1	V
Line Regulation	$V_{IN} = 8$ to 35V		2	20		2	30	mV
Load Regulation	$I_L = 0$ to 20mA		5	30		5	50	
Temperature Stability			15	50		15	50	mV
Total Output Voltage Range		4.9	5.0	5.1	4.85	5.0	5.15	V
Short Circuit Current	$V_{REF} = 0$	25	80	140	25	80	140	mA
UNDERVOLTAGE LOCKOUT								
$\overline{\text{RESET}}$ Output Voltage	$V_{REF} = 3.8\text{V}$		0.2	0.4		0.2	0.4	V
	$V_{REF} = 4.8\text{V}$	2.4	4.8		2.4	4.8		
OSCILLATOR SECTION ²								
Initial Accuracy	$T_J = 25^\circ\text{C}$		± 3	± 8		± 3	± 8	%
Voltage Stability	$V_{IN} = 8$ to 35V		0.5	1		0.5	1	
Temperature Stability			3	10		7	10	
Minimum Frequency	$R_T = 150\text{k}\Omega$ $C_T = 0.2\mu\text{F}$			100			100	Hz
Maximum Frequency	$R_T = 2\text{k}\Omega$ $C_T = 470\text{pF}$	400			400			kHz
Sawtooth Peak Voltage	$V_{IN} = 35\text{V}$		3	3.5		3	3.5	V
Sawtooth Valley Voltage	$V_{IN} = 8\text{V}$ $T_J = 25^\circ\text{C}$	0.5	1			1		
ERROR AMPLIFIER SECTION ³								
Input Offset Voltage	$R_S \leq 2\text{k}\Omega$		2	5		2	10	mV
Input Bias Current			-350	-1000		-350	-2000	nA
Input Offset Current			35	100		35	200	
DC Open Loop Gain	$R_L \geq 10\text{M}\Omega$	64	72		60	72		dB
High Output Voltage	$V_{PIN1} - V_{PIN2} \geq 150\text{mV}$ $I_{SOURCE} = 100\mu\text{A}$	3.6	4.2		3.6	4.2		V
Low Output Voltage	$V_{PIN1} - V_{PIN2} \geq 150\text{mV}$ $I_{SINK} = 100\mu\text{A}$		0.2	0.4		0.2	0.4	V
Common Mode Rejection	$R_S \leq 2\text{k}\Omega$	70	94		70	94		dB
Supply Voltage Rejection	$V_{IN} = 12\text{V}$ to 18V	66	80		66	80		

NOTES

1. Test Conditions unless otherwise stated:

$$V_{IN} = 15\text{V}$$

$$T_J = -55 \text{ to } +125^\circ\text{C} \quad \text{for IP1526}$$

$$T_J = 0 \text{ to } +70^\circ\text{C} \quad \text{for IP3526}$$

2. Oscillator / PWM Section Test Conditions:

$$f_{OSC} = 40\text{kHz}$$

$$(R_T = 4.12\text{k}\Omega, C_T = 0.01\mu\text{F} \pm 1\%, R_D = 0)$$

3. Error Amplifier Section Test Condition:

$$V_{CM} = 0 \text{ to } 5.2\text{V}$$

ELECTRICAL CHARACTERISTICS (T_J = Over Operating Temperature Range unless otherwise stated)

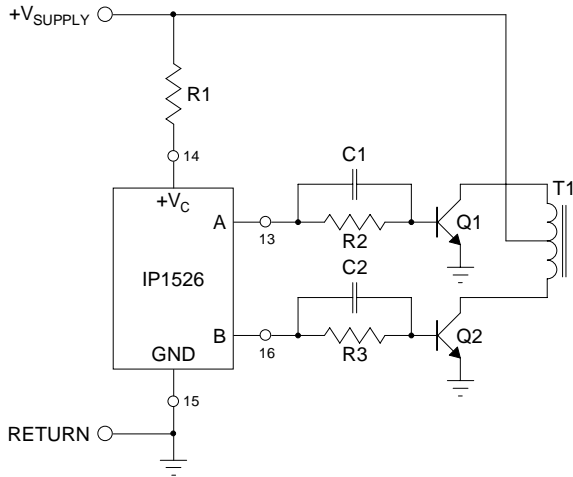
Parameter	Test Conditions	IP1526			IP3526			Units
		Min.	Typ.	Max.	Min.	Typ.	Max.	
PWM COMPARATOR ²								
Minimum Duty Cycle	$V_{PIN2} - V_{PIN1} \geq 150\text{mV}$			0			0	%
Maximum Duty Cycle	$V_{PIN1} - V_{PIN2} \geq 150\text{mV}$	45	49		45	49		
DIGITAL PORTS (SYNC, SHUTDOWN & RESET)								
HIGH Output Voltage	$I_{SOURCE} = 40\mu\text{A}$	2.4	4.0		2.4	4.0		V
LOW Output Voltage	$I_{SINK} = 3.6\text{mA}$		0.2	0.4		0.2	0.4	
HIGH Input Current	$V_{IH} = 2.4\text{V}$		-125	-200		-125	-300	μA
LOW Input Current	$V_{IL} = 0.4\text{V}$		-225	-360		-225	-500	
CURRENT LIMIT COMPARATOR ⁴								
Sense Voltage	$R_S \leq 50\Omega$	90	100	110	80	100	120	mV
Input Bias Current			-3	-10		-3	-10	μA
SOFT-START SECTION								
Error Clamp Voltage	$\overline{\text{RESET}} = 0.4\text{V}$		0.1	0.4		0.1	0.4	V
C_S Charging Current	$\overline{\text{RESET}} = 2.4\text{V}$	50	100	150	50	100	150	μA
OUTPUT DRIVERS (each output) ⁵								
HIGH Output Voltage	$I_{SOURCE} = 20\text{mA}$	12.5	13.5		12.5	13.5		V
	$I_{SOURCE} = 100\text{mA}$	12	13		12	13		
LOW Output Voltage	$I_{SINK} = 20\text{mA}$		0.2	0.3		0.2	0.3	V
	$I_{SINK} = 100\text{mA}$		1.2	2.0		1.2	2.0	
Collector Leakage	$V_C = 40\text{V}$		50	150		50	150	μA
Rise Time	$C_L = 1000\text{pF}$		0.3	0.6		0.3	0.6	μs
Fall Time	$C_L = 1000\text{pF}$		0.1	0.2		0.1	0.2	
POWER CONSUMPTION								
Standby Current	$V_{IN} = 35\text{V}$ $R_T = 4.12\text{k}\Omega$ $\text{SHUTDOWN} = 0.4\text{V}$		18	30		18	30	mA

NOTES

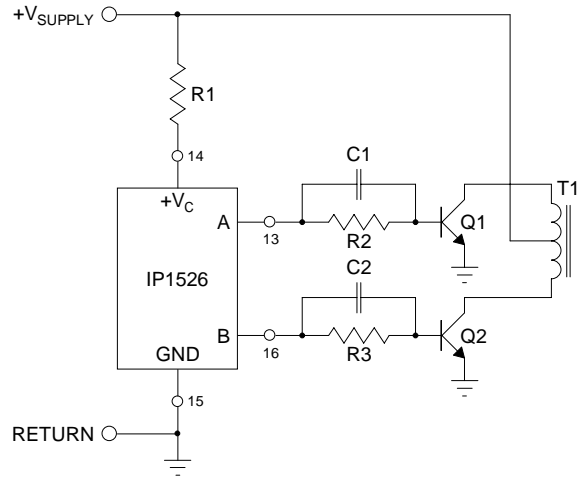
- Test Conditions unless otherwise stated:
 $V_{IN} = 15\text{V}$
 $T_J = -55$ to $+125^\circ\text{C}$ for IP1526
 $T_J = 0$ to $+70^\circ\text{C}$ for IP3526
- Oscillator / PWM Section Test Conditions:
 $f_{OSC} = 40\text{kHz}$
 $(R_T = 4.12\text{k}\Omega, C_T = 0.01\mu\text{F} \pm 1\%, R_D = 0)$
- Error Amplifier Section Test Conditions:
 $V_{CM} = 0$ to 5.2V
- Current Limit Comparator Section Test Conditions:
 $V_{CM} = 0$ to 12V
- Output Driver Section Test Conditions:
 $V_C = 15\text{V}$

APPLICATIONS INFORMATION

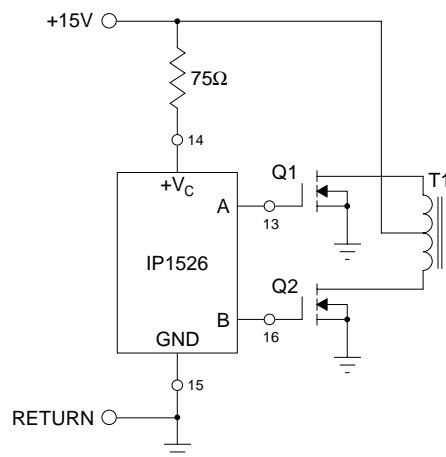
Push-Pull Configuration



Single-Ended Configuration

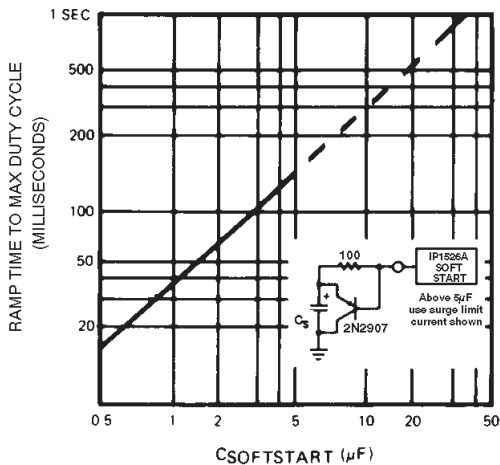


Driving N-Channel Power MOSFETs

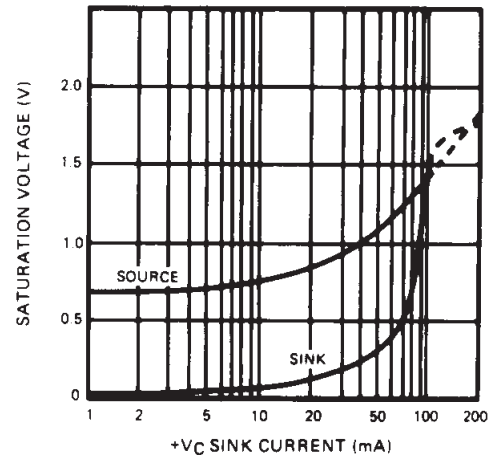


TYPICAL PERFORMANCE CHARACTERISTICS

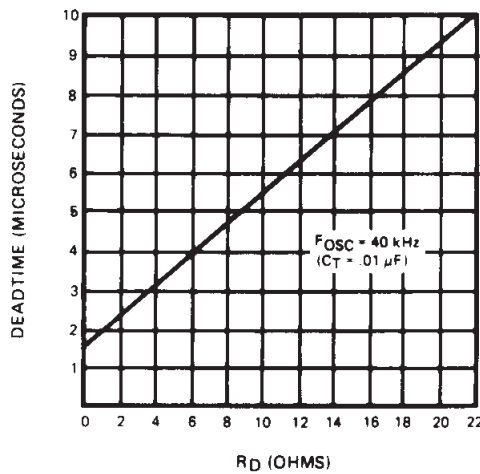
Soft Start Time vs C_S



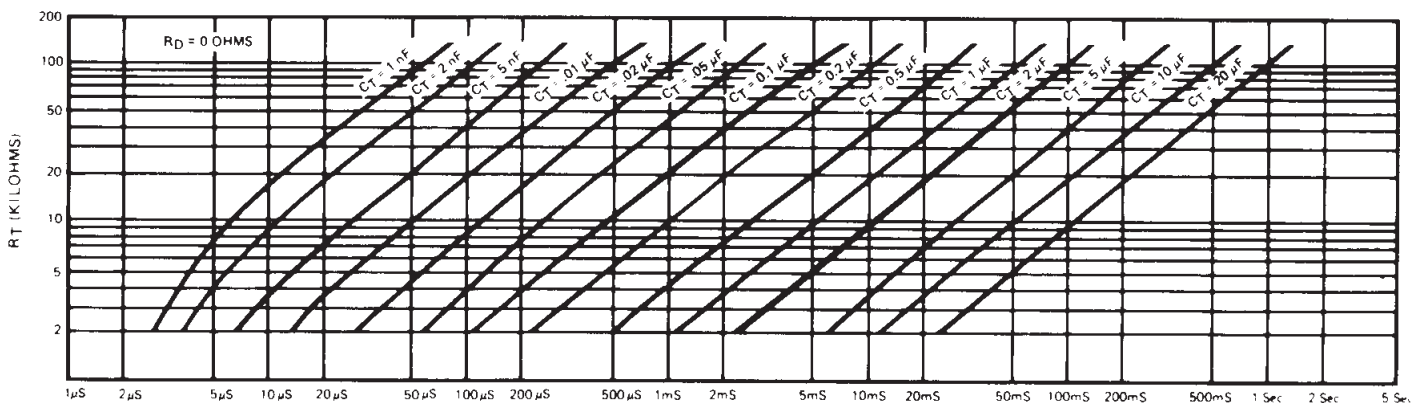
Output Driver Saturation Voltage



Output Driver Deadtime vs R_D Value



Oscillator Period vs R_T and C_T





LittleDiode supplies new, hard to find or obsolete electronic components and semiconductors all over the world.

With over two million different components listed you are sure to find the part you need.

Feel free to visit us today at our online store:

LittleDiode.com

Looking forward to providing you with the best possible service.