

# 100313 Low Power Quad Driver

## General Description

The 100313 is a monolithic quad driver with two OR and two NOR outputs and common enable. The common input is buffered to minimize input loading. If the D inputs are not used the Enable can be used to drive sixteen 50Ω lines. All inputs have 50 kΩ pull-down resistors and all outputs are buffered.

## Features

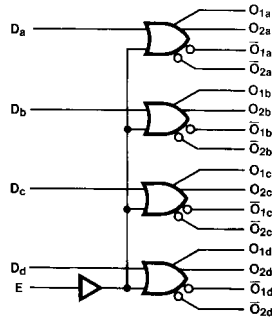
- 50% power reduction of the 100113
- 2000V ESD protection
- Pin/function compatible with 100113 and 100112
- Voltage compensated operating range = -4.2V to -5.7V
- Available to industrial grade temperature range (PLCC package only)

## Ordering Code:

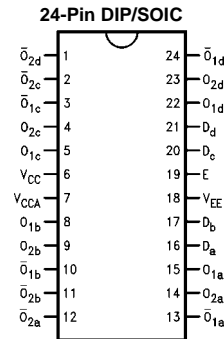
Order Number	Package Number	Package Description
100313SC	M24B	24-Lead Small Outline Integrated Circuit (SOIC), JEDEC MS-013, 0.300 Wide
100313PC	N24E	24-Lead Plastic Dual-In-Line Package (PDIP), JEDEC MS-010, 0.400 Wide
100313QC	V28A	28-Lead Plastic Lead Chip Carrier (PLCC), JEDEC MO-047, 0.450 Square
100313QI	V28A	28-Lead Plastic Lead Chip Carrier (PLCC), JEDEC MO-047, 0.450 Square Industrial Temperature Range (-40°C to +85°C)

Devices also available in Tape and Reel. Specify by appending the suffix letter "X" to the ordering code.

## Logic Symbol

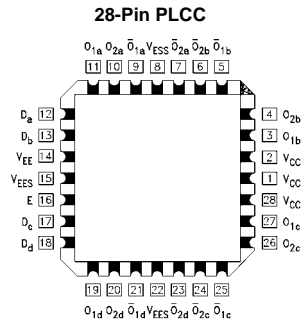


## Connection Diagrams



## Pin Descriptions

Pin Names	Description
D <sub>a</sub> -D <sub>d</sub>	Data Inputs
E	Enable Input
O <sub>na</sub> -O <sub>nd</sub>	Data Outputs
$\bar{O}_{na}$ - $\bar{O}_{nd}$	Complementary Data Outputs



## Truth Table

Inputs					Outputs							
E	D <sub>a</sub>	D <sub>b</sub>	D <sub>c</sub>	D <sub>d</sub>	O <sub>1a</sub> , O <sub>2a</sub>	$\bar{O}_{1a}$ , $\bar{O}_{2a}$	O <sub>1b</sub> , O <sub>2b</sub>	$\bar{O}_{1b}$ , $\bar{O}_{2b}$	O <sub>1c</sub> , O <sub>2c</sub>	$\bar{O}_{1c}$ , $\bar{O}_{2c}$	O <sub>1d</sub> , O <sub>2d</sub>	$\bar{O}_{1d}$ , $\bar{O}_{2d}$
H	X	X	X	X	H	L	H	L	H	L	H	L
L	L	L	L	L	L	H	L	H	L	H	L	H
L	L	L	L	H	L	H	L	H	L	H	H	L
L	L	L	H	L	L	H	L	H	H	L	L	H
L	L	L	H	H	L	H	L	H	H	L	H	L
L	L	H	L	L	L	H	H	L	L	H	L	H
L	L	H	L	H	L	H	H	L	L	H	H	L
L	L	H	H	L	L	H	H	L	H	L	L	H
L	L	H	H	H	L	H	H	L	H	L	H	L
L	H	L	L	L	H	L	L	H	L	H	L	H
L	H	L	L	H	H	L	L	H	L	H	H	L
L	H	L	H	L	H	L	L	H	H	L	L	H
L	H	L	H	H	H	L	L	H	H	L	H	L
L	H	H	L	L	H	L	H	L	L	H	L	H
L	H	H	L	H	H	L	H	L	L	H	H	L
L	H	H	H	L	H	L	H	L	H	L	L	H
L	H	H	H	H	H	L	H	L	H	L	H	L

H = HIGH Voltage Level  
L = LOW Voltage Level  
X = Don't Care

**Absolute Maximum Ratings**(Note 1)

Storage Temperature ( $T_{STG}$ )	-65°C to +150°C
Maximum Junction Temperature ( $T_J$ )	+150°C
$V_{EE}$ Pin Potential to Ground Pin	-7.0V to +0.5V
Input Voltage (DC)	$V_{EE}$ to +0.5V
Output Current (DC Output HIGH)	-50 mA
ESD (Note 2)	≥2000V

**Recommended Operating Conditions**

Case Temperature ( $T_C$ )	Commercial	0°C to +85°C
	Industrial	-40°C to +85°C
Supply Voltage ( $V_{EE}$ )		-5.7V to -4.2V

**Note 1:** The "Absolute Maximum Ratings" are those values beyond which the safety of the device cannot be guaranteed. The device should not be operated at these limits. The parametric values defined in the Electrical Characteristics tables are not guaranteed at the absolute maximum ratings. The "Recommended Operating Conditions" table will define the conditions for actual device operation.

**Note 2:** ESD testing conforms to MIL-STD-883, Method 3015.

**Commercial Version****DC Electrical Characteristics** (Note 3)

$V_{EE} = -4.2V$  to  $-5.7V$ ,  $V_{CC} = V_{CCA} = GND$ ,  $T_C = 0^\circ C$  to  $+85^\circ C$

Symbol	Parameter	Min	Typ	Max	Units	Conditions
$V_{OH}$	Output HIGH Voltage	-1025	-955	-870	mV	$V_{IN} = V_{IH} (Max)$ or $V_{IL} (Min)$ Loading with 50Ω to -2.0V
$V_{OL}$	Output LOW Voltage	-1830	-1705	-1620		
$V_{OHC}$	Output HIGH Voltage	-1035			mV	$V_{IN} = V_{IH} (Min)$ or $V_{IL} (Max)$ Loading with 50Ω to -2.0V
$V_{OLC}$	Output LOW Voltage			-1610		
$V_{IH}$	Input HIGH Voltage	-1165		-870	mV	Guaranteed HIGH Signal for All Inputs
$V_{IL}$	Input LOW Voltage	-1830		-1475	mV	Guaranteed LOW Signal for All Inputs
$I_{IL}$	Input LOW Current	0.50			μA	$V_{IN} = V_{IL} (Min)$
$I_{IH}$	Input HIGH Current			350 240	μA	$V_{IN} = V_{IH} (Max)$
$I_{EE}$	Power Supply Current	-59		-29	mA	Inputs OPEN

**Note 3:** The specified limits represent the "worst case" value for the parameter. Since these values normally occur at the temperature extremes, additional noise immunity and guardbanding can be achieved by decreasing the allowable system operating ranges. Conditions for testing shown in the tables are chosen to guarantee operation under "worst case" conditions.

**DIP AC Electrical Characteristics**

$V_{EE} = -4.2V$  to  $-5.7V$ ,  $V_{CC} = V_{CCA} = GND$

Symbol	Parameter	$T_C = 0^\circ C$		$T_C = +25^\circ C$		$T_C = +85^\circ C$		Units	Conditions
		Min	Max	Min	Max	Min	Max		
$t_{PLH}$	Propagation Delay	0.55	1.30	0.55	1.30	0.55	1.40	ns	Figures 1, 2 (Note 4)
$t_{PHL}$	Data to Output								
$t_{PLH}$	Propagation Delay	0.80	1.80	0.80	1.80	0.80	1.90	ns	
$t_{PHL}$	Enable to Output								
$t_{TLH}$	Transition Time	0.45	1.30	0.45	1.30	0.45	1.30	ns	Figures 1, 2
$t_{THL}$	20% to 80%, 80% to 20%								

**Note 4:** The propagation delay specified is for single output switching. Delays may vary up to 150 ps with multiple outputs switching.

### Commercial Version (Continued) SOIC and PLCC AC Electrical Characteristics

 $V_{EE} = -4.2V$  to  $-5.7V$ ,  $V_{CC} = V_{CCA} = GND$ 

Symbol	Parameter	$T_C = 0^\circ C$		$T_C = +25^\circ C$		$T_C = +85^\circ C$		Units	Conditions
		Min	Max	Min	Max	Min	Max		
$t_{PLH}$ $t_{PHL}$	Propagation Delay Data to Output	0.55	1.20	0.55	1.20	0.55	1.30	ns	Figures 1, 2 (Note 5)
$t_{PLH}$ $t_{PHL}$	Propagation Delay Enable to Output	0.80	1.70	0.80	1.70	0.80	1.80	ns	
$t_{TLH}$ $t_{THL}$	Transition Time 20% to 80%, 80% to 20%	0.45	1.30	0.45	1.30	0.45	1.30	ns	Figures 1, 2
$t_{OSHL}$	Maximum Skew Common Edge Output-to-Output Variation Data to Output Path		280		280		280	ps	PLCC Only (Note 6)
$t_{OSHL}$	Maximum Skew Common Edge Output-to-Output Variation Enable to Output Path		290		290		290	ps	PLCC Only (Note 6)
$t_{OSLH}$	Maximum Skew Common Edge Output-to-Output Variation Data to Output Path		330		330		330	ps	PLCC Only (Note 6)
$t_{OSLH}$	Maximum Skew Common Edge Output-to-Output Variation Enable to Output Path		360		360		360	ps	PLCC Only (Note 6)
$t_{OST}$	Maximum Skew Opposite Edge Output-to-Output Variation Data to Output Path		330		330		330	ps	PLCC Only (Note 6)
$t_{OST}$	Maximum Skew Opposite Edge Output-to-Output Variation Enable to Output Path		360		360		360	ps	PLCC Only (Note 6)
$t_{PS}$	Maximum Skew Pin (Signal) Transition Variation Data to Output Path		200		200		200	ps	PLCC Only (Note 6)
$t_{PS}$	Maximum Skew Pin (Signal) Transition Variation Enable to Output Path		200		200		200	ps	PLCC Only (Note 6)

**Note 5:** The propagation delay specified is for single output switching. Delays may vary up to 150 ps with multiple outputs switching.

**Note 6:** Output-to-Output Skew is defined as the absolute value of the difference between the actual propagation delay for any outputs within the same packaged device. The specifications apply to any outputs switching in the same direction either HIGH-to-LOW ( $t_{OSHL}$ ), or LOW-to-HIGH ( $t_{OSLH}$ ), or in opposite directions both HL and LH ( $t_{OST}$ ). Parameters  $t_{OST}$  and  $t_{PS}$  guaranteed by design.

**Industrial Version****PLCC DC Electrical Characteristics** (Note 7)
 $V_{EE} = -4.2V$  to  $-5.7V$ ,  $V_{CC} = V_{CCA} = GND$ ,  $T_C = -40^{\circ}C$  to  $+85^{\circ}C$ 

Symbol	Parameter	$T_C = -40^{\circ}C$		$T_C = 0^{\circ}C$ to $+85^{\circ}C$		Units	Conditions	
		Min	Max	Min	Max			
$V_{OH}$	Output HIGH Voltage	-1085	-870	-1025	-870	mV	$V_{IN} = V_{IH(Max)}$ or $V_{IL(Min)}$	Loading with $50\Omega$ to $-2.0V$
$V_{OL}$	Output LOW Voltage	-1830	-1575	-1830	-1620			
$V_{OHC}$	Output HIGH Voltage	-1095		-1035		mV	$V_{IN} = V_{IH(Min)}$ or $V_{IL(Max)}$	Loading with $50\Omega$ to $-2.0V$
$V_{OLC}$	Output LOW Voltage		-1565		-1610			
$V_{IH}$	Input HIGH Voltage	-1170	-870	-1165	-870	mV	Guaranteed HIGH Signal for All Inputs	
$V_{IL}$	Input LOW Voltage	-1830	-1480	-1830	-1475	mV	Guaranteed LOW Signal for All Inputs	
$I_{IL}$	Input LOW Current	0.50		0.50		$\mu A$	$V_{IN} = V_{IL(Min)}$	
$I_{IH}$	Input HIGH Current					$\mu A$	$V_{IN} = V_{IH(Max)}$	
	Data		350		350			
	Enable		240		240			
$I_{EE}$	Power Supply Current	-59	-29	-59	-29	mA	Inputs OPEN	

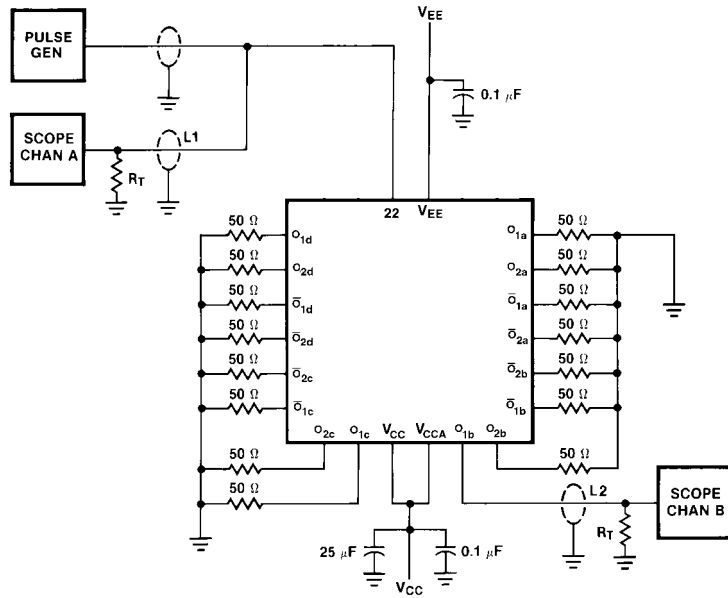
**Note 7:** The specified limits represent the "worst case" value for the parameter. Since these values normally occur at the temperature extremes, additional noise immunity and guardbanding can be achieved by decreasing the allowable system operating ranges. Conditions for testing shown in the tables are chosen to guarantee operation under "worst case" conditions.

**PLCC AC Electrical Characteristics**
 $V_{EE} = -4.2V$  to  $-5.7V$ ,  $V_{CC} = V_{CCA} = GND$ 

Symbol	Parameter	$T_C = -40^{\circ}C$		$T_C = +25^{\circ}C$		$T_C = +85^{\circ}C$		Units	Conditions
		Min	Max	Min	Max	Min	Max		
$t_{PLH}$	Propagation Delay	0.55	1.20	0.55	1.20	0.55	1.30	ns	Figures 1, 2 (Note 8)
$t_{PHL}$	Data to Output								
$t_{PLH}$	Propagation Delay	0.80	1.70	0.80	1.70	0.80	1.80	ns	
$t_{PHL}$	Enable to Output								
$t_{TLH}$	Transition Time	0.45	1.30	0.45	1.30	0.45	1.30	ns	Figures 1, 2
$t_{THL}$	20% to 80%, 80% to 20%								

**Note 8:** The propagation delay specified is for single output switching. Delays may vary up to 150 ps with multiple outputs switching.

### Test Circuitry



**Notes:**  
 $V_{CC}, V_{CCA} = +2V, V_{EE} = -2.5V.$   
 L1 and L2 = equal length 50Ω impedance lines.  
 $R_T = 50\Omega$  terminator internal to scope.  
 Decoupling 0.1 μF from GND to  $V_{CC}$  and  $V_{EE}$ .  
 All unused outputs are loaded with 50Ω to GND.  
 $C_L =$  Fixture and stray capacitance  $\leq 3$  pF.

FIGURE 1. AC Test Circuit

### Switching Waveforms

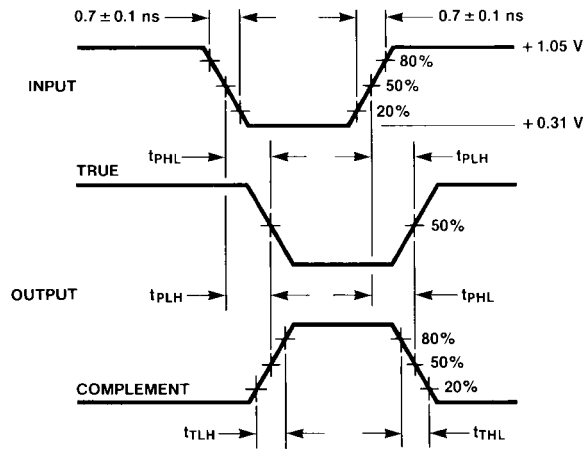
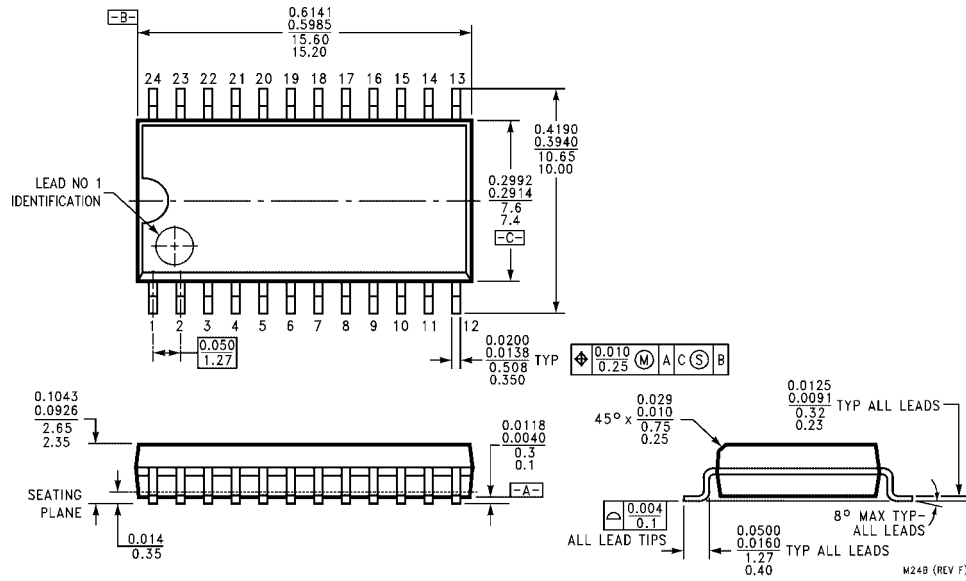
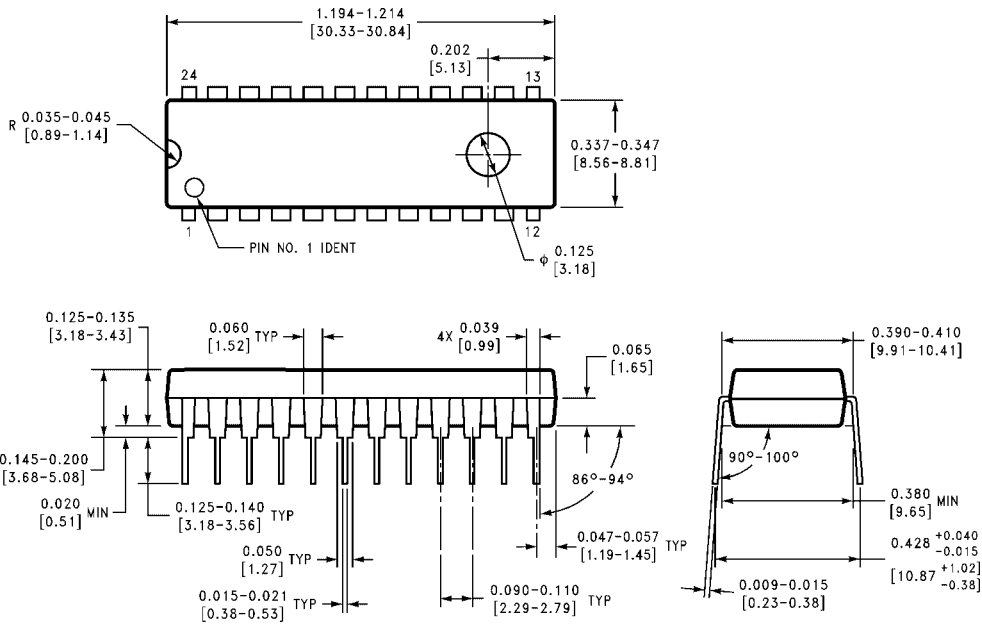


FIGURE 2. Propagation Delay and Transition Times

**Physical Dimensions** inches (millimeters) unless otherwise noted

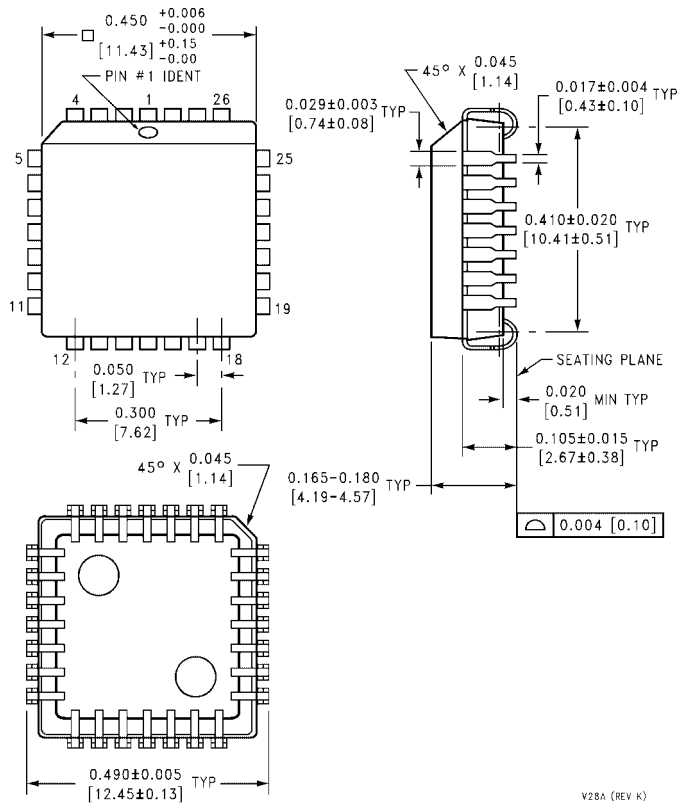


**24-Lead Small Outline Integrated Circuit (SOIC), JEDEC MS-013, 0.300 Wide Package Number M24B**



**24-Lead Plastic Dual-In-Line Package (PDIP), JEDEC MS-010, 0.400 Wide Package Number N24E**

**Physical Dimensions** inches (millimeters) unless otherwise noted (Continued)



**28-Lead Plastic Lead Chip Carrier (PLCC), JEDEC MO-047, 0.450 Square Package Number V28A**

Fairchild does not assume any responsibility for use of any circuitry described, no circuit patent licenses are implied and Fairchild reserves the right at any time without notice to change said circuitry and specifications.

**LIFE SUPPORT POLICY**

FAIRCHILD'S PRODUCTS ARE NOT AUTHORIZED FOR USE AS CRITICAL COMPONENTS IN LIFE SUPPORT DEVICES OR SYSTEMS WITHOUT THE EXPRESS WRITTEN APPROVAL OF THE PRESIDENT OF FAIRCHILD SEMICONDUCTOR CORPORATION. As used herein:

1. Life support devices or systems are devices or systems which, (a) are intended for surgical implant into the body, or (b) support or sustain life, and (c) whose failure to perform when properly used in accordance with instructions for use provided in the labeling, can be reasonably expected to result in a significant injury to the user.
2. A critical component in any component of a life support device or system whose failure to perform can be reasonably expected to cause the failure of the life support device or system, or to affect its safety or effectiveness.

[www.fairchildsemi.com](http://www.fairchildsemi.com)



LittleDiode supplies new, hard to find or obsolete electronic components and semiconductors all over the world.

With over two million different components listed you are sure to find the part you need.

Feel free to visit us today at our online store:

**[LittleDiode.com](http://LittleDiode.com)**

Looking forward to providing you with the best possible service.