

Gold Bonded

1N277

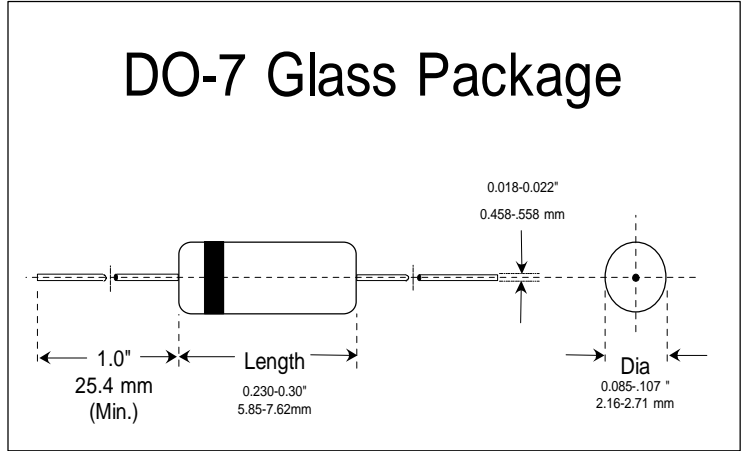
Germanium Diodes

Optimized for Radio Frequency Response

Can be used in many AM, FM and TV-IF applications, replacing point contact devices.

Applications

- AM/FM detectors
- Ratio detectors
- FM discriminators
- TV audio detectors
- RF input probes
- TV video detectors



Features

- Lower leakage current
- Flat junction capacitance
- High mechanical strength
- At least 1 million hours MTBF
- BKC's Sigma-Bond™ plating for problem free solderability

Absolute Maximum Ratings at T_{amb} = 25 °C

Parameter	Symbols	Min.	Max.	Units
Peak Inverse Voltage	PIV	**	110	Volts
Breakdown Voltage @ I _R = 1.0 mA	V _{BR}	110		Volts
Surge Current, t = 1 Second	I _{FSM}		0.5	Amps
Peak Operating Current	I _{OS}		270	mA
Average Rectified Forward Current	I _O		75	mA
Operating and Storage Temperatures	T _{J & STG}	-65	+90	°C

Electrical Characteristics at T_{amb} = 25 °C

Parameter	Test Conditions	Symbols	Min.	Typ.	Max.	Units
Forward Voltage Drop	I _F = 100 mA	V _F			1.00	Volts
Reverse Leakage	V _R = 10 Volts, T _{amb} = 75 °C	I _R	**		75	µA
Reverse Leakage	V _R = 50 Volts, T _{amb} = 75 °C	I _R		**	250	µA
Breakdown Voltage @ I _R = 1.0 mA		PIV	110			Volts
Junction Capacitance	f = 1MHz, V _R = 0 volt	C _J		0.8		pF



6 Lake Street - Lawrence, MA 01841

Tel: 978-681-0392 - Fax: 978-681-9135



LittleDiode supplies new, hard to find or obsolete electronic components and semiconductors all over the world.

With over two million different components listed you are sure to find the part you need.

Feel free to visit us today at our online store:

LittleDiode.com

Looking forward to providing you with the best possible service.