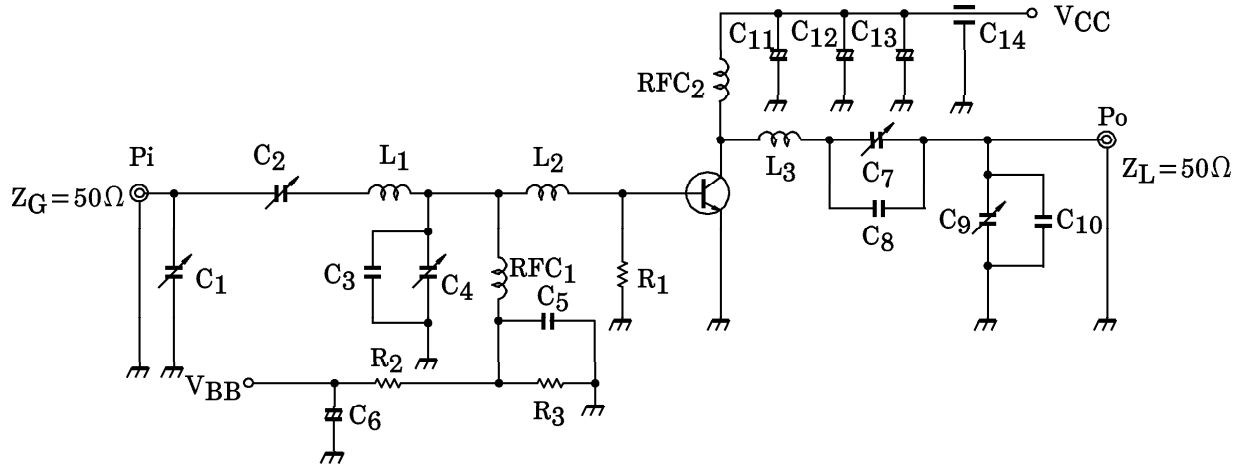
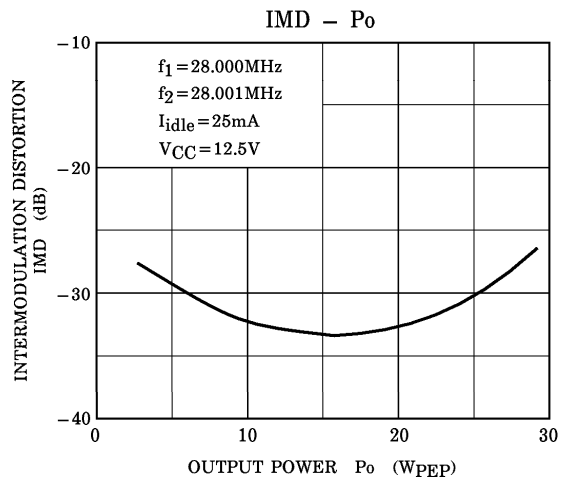
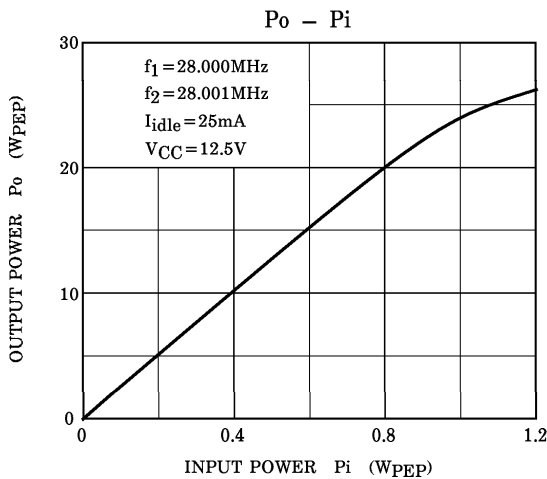


Fig. Pi TEST CIRCUIT



- | | |
|-----------------------------------------------------------------------------|--------------------------------------------------------------|
| C ₁ , C ₂ , C ₄ , C ₇ : 7~150pF | L ₁ : φ0.8 ENAMEL COATED COPPER WIRE, 9ID, 6T |
| C ₃ : 250pF | L ₂ : φ1 SILVER PLATED COPPER WIRE, 9ID, 2T |
| C ₅ : 0.4μF | L ₃ : φ1.5 ENAMEL COATED COPPER WIRE, 9ID, 5T |
| C ₆ : 100μF 10WV | RFC ₁ : φ0.8 ENAMEL COATED COPPER WIRE, 9ID, 20T |
| C ₈ : 150pF | RFC ₂ : φ1.5 ENAMEL COATED COPPER WIRE, 12ID, 15T |
| C ₉ : 10~200pF | R ₁ : 5.6Ω (1/2W) |
| C ₁₀ : 600pF | R ₂ : 5Ω (5W) |
| C ₁₁ , C ₁₂ : 22μF 35WV | R ₃ : 1.5Ω (10W) |
| C ₁₃ : 0.04μF | |
| C ₁₄ : 1000pF | |
- (FEED THROUGH)



CAUTION

These are only typical curves and devices are not necessarily guaranteed at these curves.

961001EAA2'

- The information contained herein is presented only as a guide for the applications of our products. No responsibility is assumed by TOSHIBA CORPORATION for any infringements of intellectual property or other rights of the third parties which may result from its use. No license is granted by implication or otherwise under any intellectual property or other rights of TOSHIBA CORPORATION or others.
- The information contained herein is subject to change without notice.

This datasheet has been downloaded from:

www.DatasheetCatalog.com

Datasheets for electronic components.



LittleDiode supplies new, hard to find or obsolete electronic components and semiconductors all over the world.

With over two million different components listed you are sure to find the part you need.

Feel free to visit us today at our online store:

LittleDiode.com

Looking forward to providing you with the best possible service.