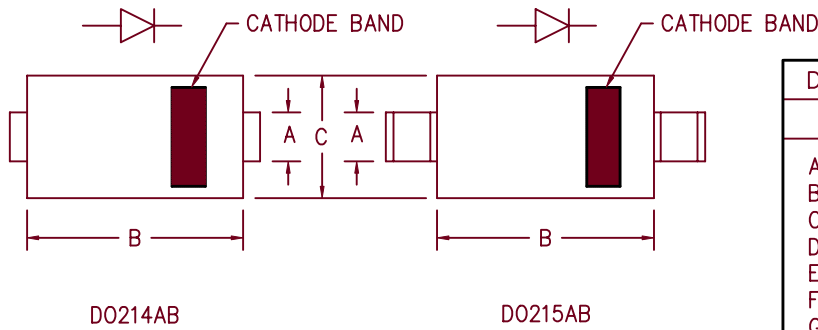
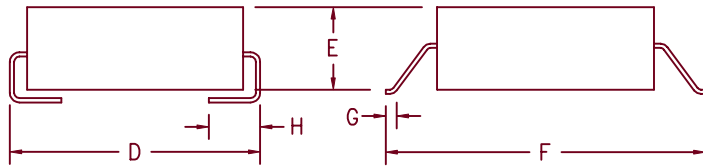


3 Amp Schottky Rectifier LSM335 — LSM345



Dim.	Inches		Millimeter		Notes
	Minimum	Maximum	Minimum	Maximum	
A	.117	.123	2.97	3.12	
B	.260	.280	6.60	7.11	
C	.220	.245	5.59	6.22	
D	.307	.322	7.80	8.18	
E	.075	.095	1.91	2.41	
F	.380	.400	9.65	10.16	
G	.025	.040	.640	1.02	
H	.030	.060	.760	1.52	



Microsemi Catalog Number	Industry Part Number	Working Peak Reverse Voltage	Repetitive Peak Reverse Voltage
LSM335*		35V	35V
LSM340*	30BQ040 15MQ040N MBRS340TR	40V	40V
LSM345*		45V	45V

* Add Suffix J for J Lead or G for Gull Wing Lead Configuration

- Schottky Barrier Rectifier
- Guard ring protection
- Low forward voltage
- 150°C Junction temperature
- Reverse energy tested

Electrical Characteristics		
Average forward current	I _{F(AV)} 3.0 Amps	Square wave
Maximum surge current	I _{FSM} 150 Amps	8.3ms, half sine, T _J = 150°C
Max peak forward voltage	V _{FM} .45 Volts	I _{FM} = 1.0A; T _J = 25°C *
Max peak forward voltage	V _{FM} .52 Volts	I _{FM} = 3.0A; T _J = 25°C *
Max peak forward voltage	V _{FM} .76 Volts	I _{FM} = 9.4A; T _J = 25°C *
Max peak reverse current	I _{RM} 1.5 mA	V _R = 5.0V, T _J = 25°C
Typical junction capacitance	C _J 265 pF	

*Pulse test: Pulse width 300 μsec, Duty cycle 2%

Thermal and Mechanical Characteristics		
Storage temperature range	T _{STG}	-55°C to 175°C
Operating junction temp range	T _J	-55°C to 150°C
Maximum thermal resistance	R _{ΘJL}	25°C/W Junction to lead
Weight		.008 ounces (.22 grams) typical

11-21-01 Rev. 2

LSM335 — LSM345

Figure 1
Typical Forward Characteristics

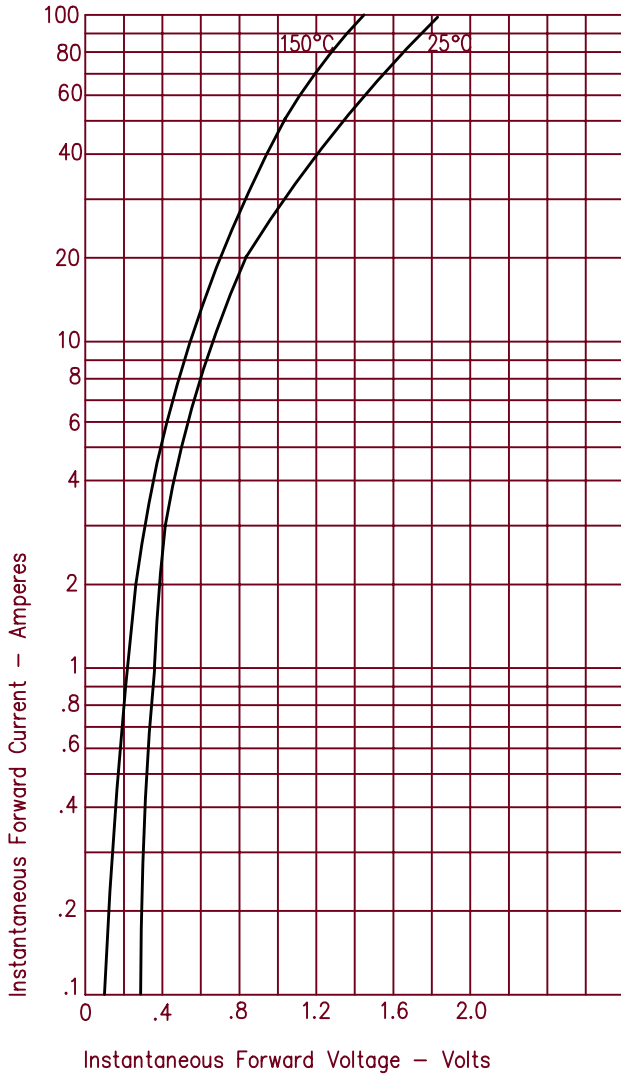


Figure 3
Typical Junction Capacitance

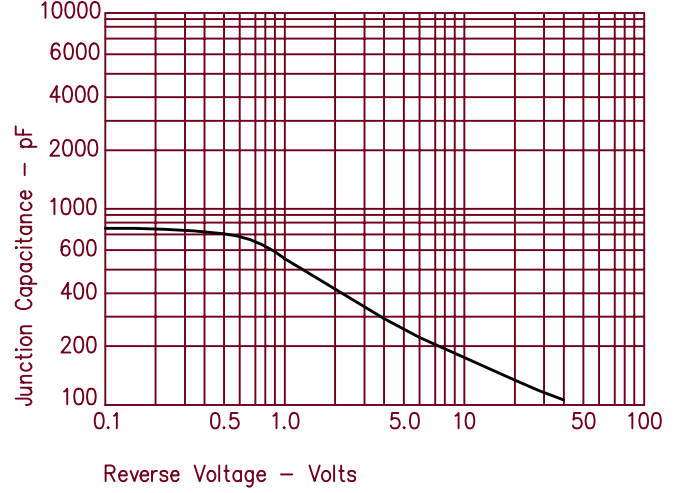
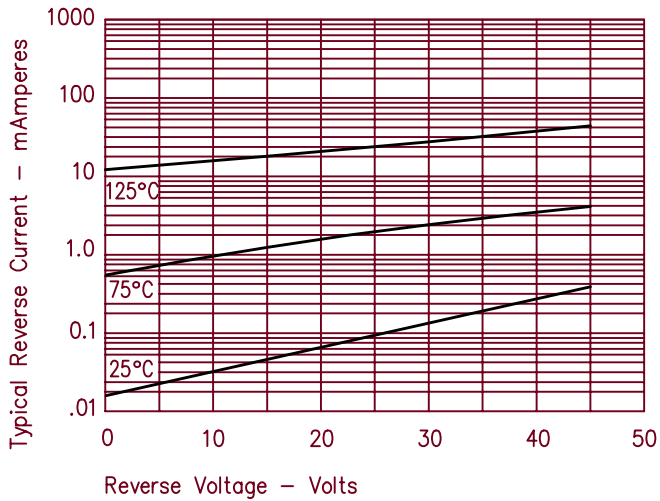


Figure 2
Typical Reverse Characteristics





LittleDiode supplies new, hard to find or obsolete electronic components and semiconductors all over the world.

With over two million different components listed you are sure to find the part you need.

Feel free to visit us today at our online store:

LittleDiode.com

Looking forward to providing you with the best possible service.