

## 54LS670/DM54LS670/DM74LS670 TRI-STATE® 4-by-4 Register Files

### General Description

These register files are organized as 4 words of 4 bits each, and separate on-chip decoding is provided for addressing the four word locations to either write-in or retrieve data. This permits writing into one location, and reading from another word location, simultaneously.

Four data inputs are available to supply the word to be stored. Location of the word is determined by the write select inputs A and B, in conjunction with a write-enable signal. Data applied at the inputs should be in its true form. That is, if a high level signal is desired from the output, a high level is applied at the data input for that particular bit location. The latch inputs are arranged so that new data will be accepted only if both internal address gate inputs are high. When this condition exists, data at the D input is transferred to the latch output. When the write-enable input,  $G_W$ , is high, the data inputs are inhibited and their levels can cause no change in the information stored in the internal latches. When the read-enable input,  $G_R$ , is high, the data outputs are inhibited and go into the high impedance state.

The individual address lines permit direct acquisition of data stored in any four of the latches. Four individual decoding gates are used to complete the address for reading a word. When the read address is made in conjunction with the read-enable signal, the word appears at the four outputs.

This arrangement—data entry addressing separate from data read addressing and individual sense line—eliminates recovery times, permits simultaneous reading and writing, and is limited in speed only by the write time (27 ns typical)

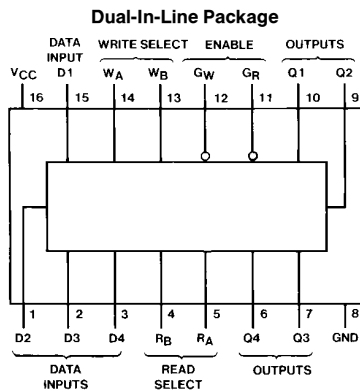
and the read time (24 ns typical). The register file has a non-volatile readout in that data is not lost when addressed.

All inputs (except read enable and write enable) are buffered to lower the drive requirements to one normal Series 54LS/74LS load, and input clamping diodes minimize switching transients to simplify system design. High speed, double ended AND-OR-INVERT gates are employed for the read-address function and have high sink current, TRI-STATE outputs. Up to 128 of these outputs may be wire-AND connected for increasing the capacity up to 512 words. Any number of these registers may be paralleled to provide n-bit word length.

### Features

- Alternate Military/Aerospace device (54LS670) is available. Contact a National Semiconductor Sales Office/Distributor for specifications.
- For use as:
  - Scratch pad memory
  - Buffer storage between processors
  - Bit storage in fast multiplication designs
- Separate read/write addressing permits simultaneous reading and writing
- Organized as 4 words of 4 bits
- Expandable to 512 words of n-bits
- TRI-STATE versions of DM54LS170/DM74LS170
- Fast access times 20 ns typ

### Connection Diagram



TL/F/6436-1

**Order Number 54LS670DMQB, 54LS670FMQB,  
54LS670LMQB, DM54LS670J, DM54LS670W,  
DM74LS670M or DM74LS670N  
See NS Package Number E20A,  
J16A, M16A, N16A or W16A**

### Function Tables

WRITE TABLE (SEE NOTES A, B, AND C)

Write Inputs			Word			
$W_B$	$W_A$	$G_W$	0	1	2	3
L	L	L	$Q = D$	$Q_0$	$Q_0$	$Q_0$
L	H	L	$Q_0$	$Q = D$	$Q_0$	$Q_0$
H	L	L	$Q_0$	$Q_0$	$Q = D$	$Q_0$
H	H	L	$Q_0$	$Q_0$	$Q_0$	$Q = D$
X	X	H	$Q_0$	$Q_0$	$Q_0$	$Q_0$

READ TABLE (SEE NOTES A AND D)

Read Inputs			Outputs			
$R_B$	$R_A$	$G_R$	Q1	Q2	Q3	Q4
L	L	L	WOB1	WOB2	WOB3	WOB4
L	H	L	W1B1	W1B2	W1B3	W1B4
H	L	L	W2B1	W2B2	W2B3	W2B4
H	H	L	W3B1	W3B2	W3B3	W3B4
X	X	H	Z	Z	Z	Z

**Note A:** H = High Level, L = Low Level, X = Don't Care, Z = High Impedance (Off).

**Note B:** ( $Q = D$ ) = The four selected internal flip-flop outputs will assume the states applied to the four external data inputs.

**Note C:**  $Q_0$  = The level of Q before the indicated input conditions were established.

**Note D:** WOB1 = The first bit of word 0, etc.

TRI-STATE® is a registered trademark of National Semiconductor Corporation.

## Absolute Maximum Ratings (Note)

If Military/Aerospace specified devices are required, please contact the National Semiconductor Sales Office/Distributors for availability and specifications.

Supply Voltage	7V
Input Voltage	7V
Operating Free Air Temperature Range	
DM54LS and 54LS	-55°C to +125°C
DM74LS	0°C to +70°C
Storage Temperature Range	-65°C to +150°C

Note: The "Absolute Maximum Ratings" are those values beyond which the safety of the device cannot be guaranteed. The device should not be operated at these limits. The parametric values defined in the "Electrical Characteristics" table are not guaranteed at the absolute maximum ratings. The "Recommended Operating Conditions" table will define the conditions for actual device operation.

## Recommended Operating Conditions

Symbol	Parameter	DM54LS670			DM74LS670			Units
		Min	Nom	Max	Min	Nom	Max	
V <sub>CC</sub>	Supply Voltage	4.5	5	5.5	4.75	5	5.25	V
V <sub>IH</sub>	High Level Input Voltage	2			2			V
V <sub>IL</sub>	Low Level Input Voltage			0.7			0.8	V
I <sub>OH</sub>	High Level Output Current			-1			-2.6	mA
I <sub>OL</sub>	Low Level Output Current			12			24	mA
t <sub>W</sub>	Write Enable Pulse Width (Note 3)	25			25			ns
t <sub>SU</sub>	Setup Time (Notes 1 & 3)	Data	10		10			ns
		W <sub>A</sub> , W <sub>B</sub>	15		15			
t <sub>H</sub>	Hold Time (Notes 1 & 3)	Data	15		15			ns
		W <sub>A</sub> , W <sub>B</sub>	5		5			
t <sub>LATCH</sub>	Latch Time for New Data (Notes 2 & 3)	25			25			ns
T <sub>A</sub>	Free Air Operating Temperature	-55		125	0		70	°C

**Note 1:** Times are with respect to the Write-Enable input. Write-Select time will protect the data written into the previous address. If protection of data in the previous address, t<sub>SETUP</sub> (W<sub>A</sub>, W<sub>B</sub>) can be ignored. As any address selection sustained for the final 30 ns of the Write-Enable pulse and during t<sub>H</sub> (W<sub>A</sub>, W<sub>B</sub>) will result in data being written into that location. Depending on the duration of the input conditions, one or a number of previous addresses may have been written into.

**Note 2:** Latch time is the time allowed for the internal output of the latch to assume the state of new data. This is important only when attempting to read from a location immediately after that location has received new data.

**Note 3:** T<sub>A</sub> = 25°C and V<sub>CC</sub> = 5V.

## Electrical Characteristics over recommended operating free air temperature range (unless otherwise noted)

Symbol	Parameter	Conditions	Min	Typ (Note 1)	Max	Units
V <sub>I</sub>	Input Clamp Voltage	V <sub>CC</sub> = Min, I <sub>I</sub> = -18 mA			-1.5	V
V <sub>OH</sub>	High Level Output Voltage	V <sub>CC</sub> = Min, I <sub>OH</sub> = Max V <sub>IL</sub> = Max, V <sub>IH</sub> = Min	2.4	3.4		V
V <sub>OL</sub>	Low Level Output Voltage	V <sub>CC</sub> = Min, I <sub>OL</sub> = Max I <sub>OL</sub> = Max, V <sub>IH</sub> = Min	DM54	0.25	0.4	V
			DM74	0.34	0.5	
I <sub>I</sub>	Input Current @ Max Input Voltage	V <sub>CC</sub> = Max V <sub>I</sub> = 7V	D, R or W		0.1	mA
			G <sub>W</sub>		0.2	
			G <sub>R</sub>		0.3	
I <sub>IH</sub>	High Level Input Current	V <sub>CC</sub> = Max V <sub>I</sub> = 2.7V	D, R or W		20	μA
			G <sub>W</sub>		40	
			G <sub>R</sub>		60	

## Electrical Characteristics

over recommended operating free air temperature (unless otherwise noted) (Continued)

Symbol	Parameter	Conditions	Min	Typ (Note 1)	Max	Units
I <sub>IL</sub>	Low Level Input Current	V <sub>CC</sub> = Max V <sub>I</sub> = 0.4V	D, R, or W		-0.4	mA
			G <sub>W</sub>		-0.8	
			G <sub>R</sub>		-1.2	
I <sub>OZH</sub>	Off-State Output Current with High Level Output Voltage Applied	V <sub>CC</sub> = Max, V <sub>O</sub> = 2.7V V <sub>IH</sub> = Min, V <sub>IL</sub> = Max			20	μA
I <sub>OZL</sub>	Off-State Output Current with Low Level Output Voltage Applied	V <sub>CC</sub> = Max, V <sub>O</sub> = 0.4V V <sub>IH</sub> = Min, V <sub>IL</sub> = Max			-20	μA
I <sub>OS</sub>	Short Circuit Output Current	V <sub>CC</sub> = Max (Note 2)	DM54	-20	-100	mA
			DM74	-20	-100	
I <sub>CC</sub>	Supply Current	V <sub>CC</sub> = Max (Note 3)		30	50	mA

## Switching Characteristics at V<sub>CC</sub> = 5V and T<sub>A</sub> = 25°C (See Section 1 for Test Waveforms and Output Load)

Symbol	Parameter	From (Input) To (Output)	R <sub>L</sub> = 667Ω				Units
			C <sub>L</sub> = 45 pF		C <sub>L</sub> = 150 pF		
			Min	Max	Min	Max	
t <sub>PLH</sub>	Propagation Delay Time Low to High Level Output	Read Select to Q		40		50	ns
t <sub>PHL</sub>	Propagation Delay Time High to Low Level Output	Read Select to Q		45		55	ns
t <sub>PLH</sub>	Propagation Delay Time Low to High Level Output	Write Enable to Q		45		55	ns
t <sub>PHL</sub>	Propagation Delay Time High to Low Level Output	Write Enable to Q		50		60	ns
t <sub>PLH</sub>	Propagation Delay Time Low to High Level Output	Data to Q		45		55	ns
t <sub>PHL</sub>	Propagation Delay Time High to Low Level Output	Data to Q		40		50	ns
t <sub>PZH</sub>	Output Enable Time to High Level Output	Read Enable to Any Q		35		45	ns
t <sub>PZL</sub>	Output Enable Time to Low Level Output	Read Enable to Any Q		40		50	ns
t <sub>PHZ</sub>	Output Disable Time from High Level Output (Note 4)	Read Enable to Any Q		50			ns
t <sub>PLZ</sub>	Output Disable Time from Low Level Output (Note 4)	Read Enable to Any Q		35			ns

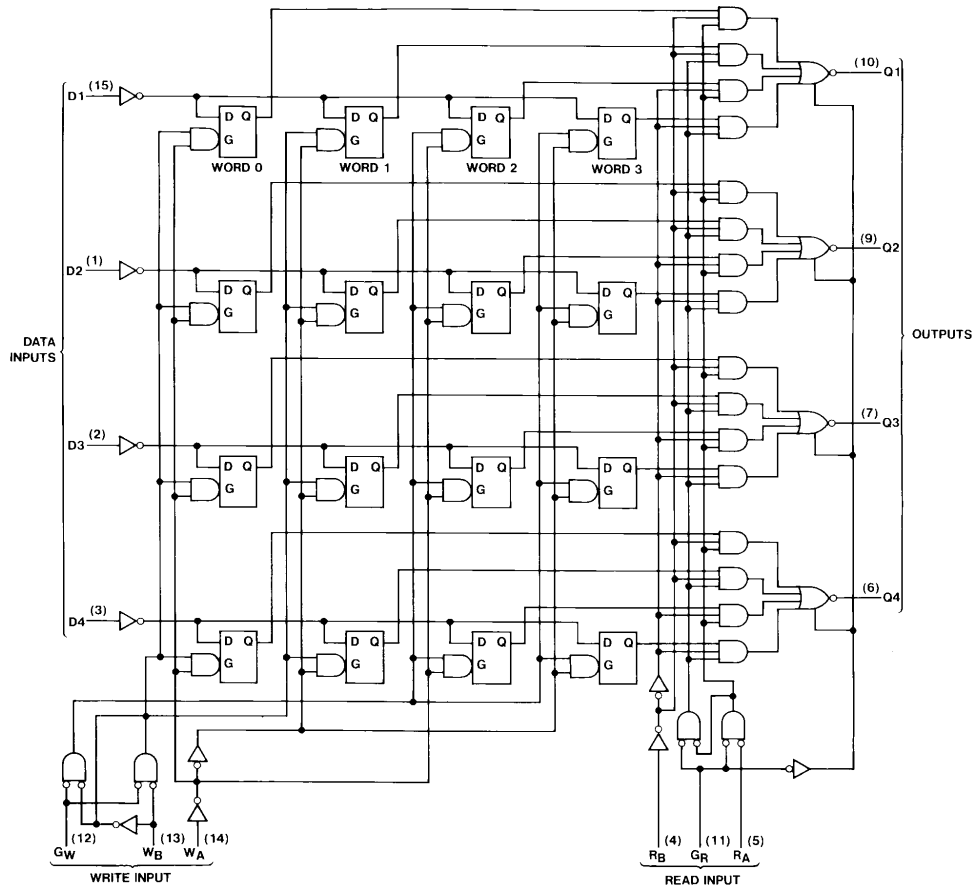
**Note 1:** All typicals are at V<sub>CC</sub> = 5V, T<sub>A</sub> = 25°C.

**Note 2:** Not more than one output should be shorted at a time, and the duration should not exceed one second.

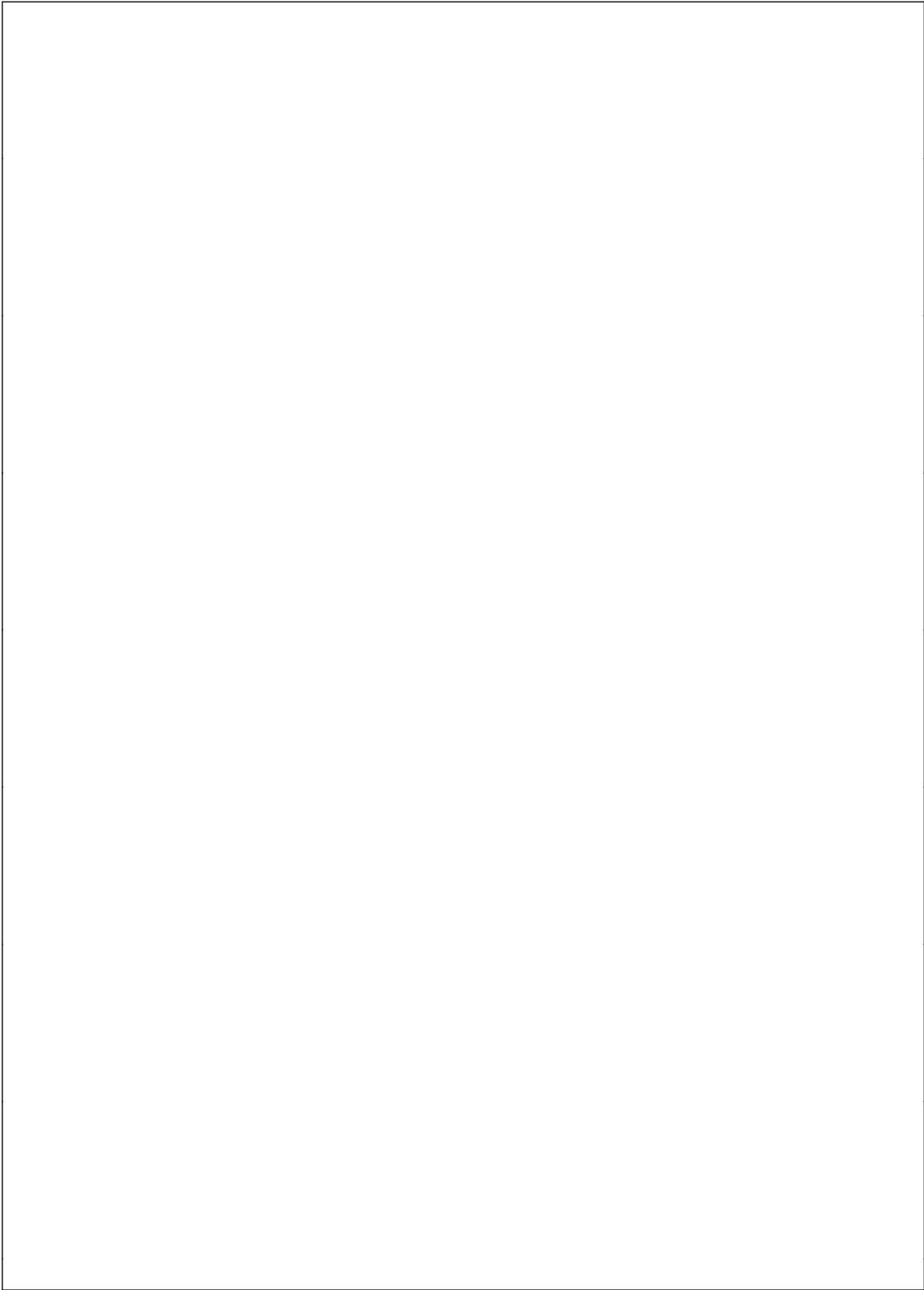
**Note 3:** I<sub>CC</sub> is measured with 4.5V applied to all DATA inputs and both ENABLE inputs, all ADDRESS inputs are grounded and all outputs are open.

**Note 4:** C<sub>L</sub> = 5 pF.

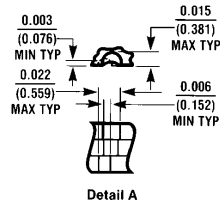
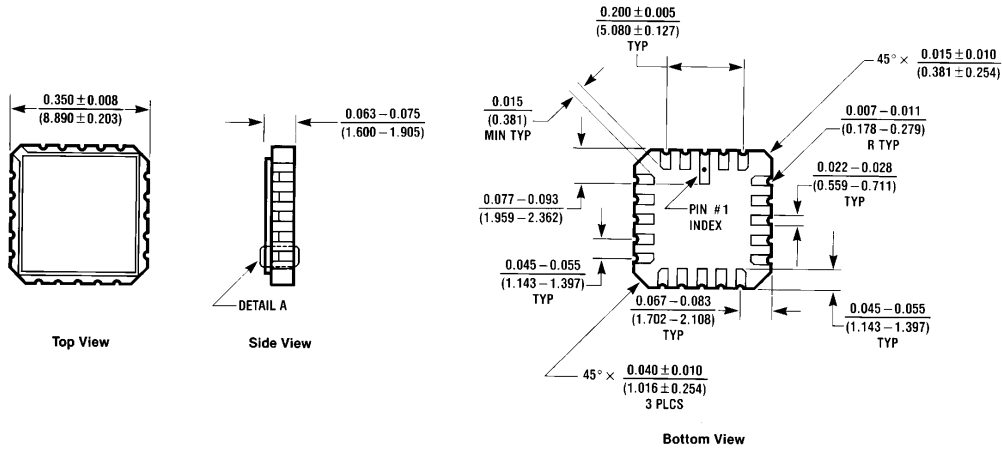
# Logic Diagram



TL/F/6436-2

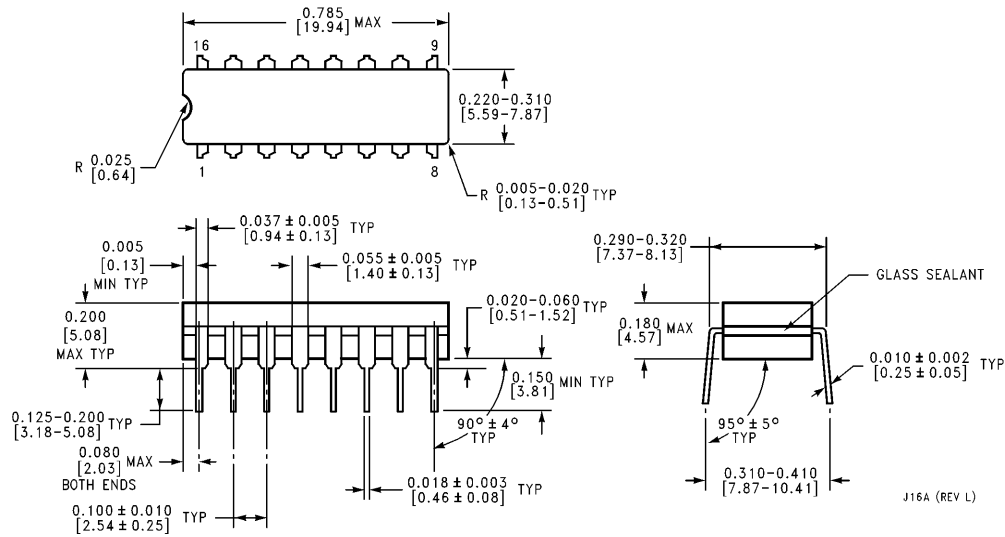


**Physical Dimensions** inches (millimeters)



**Ceramic Leadless Chip Carrier Package (E)**  
**Order Number 54LS670LMQB**  
**NS Package Number E20A**

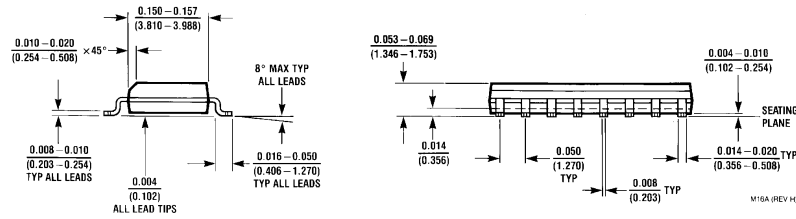
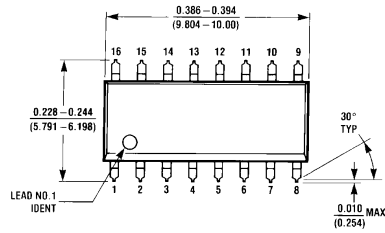
E20A (REV D)



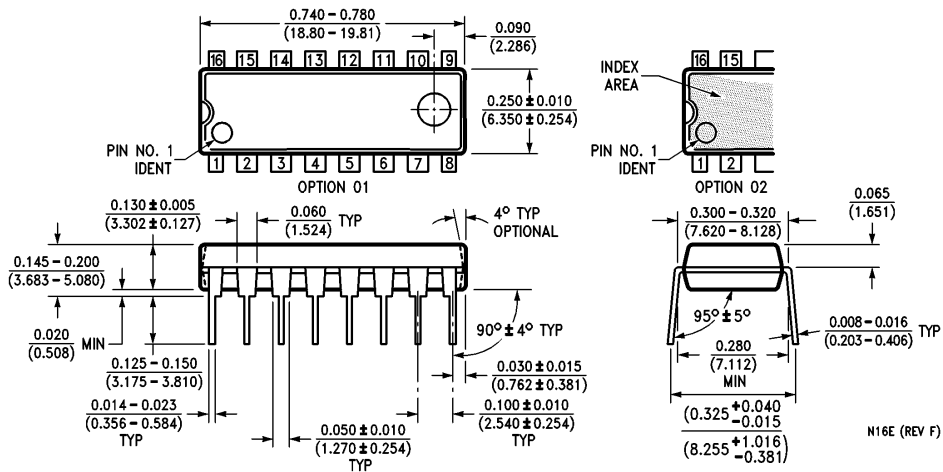
**16-Lead Ceramic Dual-In-Line Package (J)**  
**Order Number 54LS670DMQB or DM54LS670J**  
**NS Package Number J16A**

J16A (REV L)

**Physical Dimensions** inches (millimeters) (Continued)

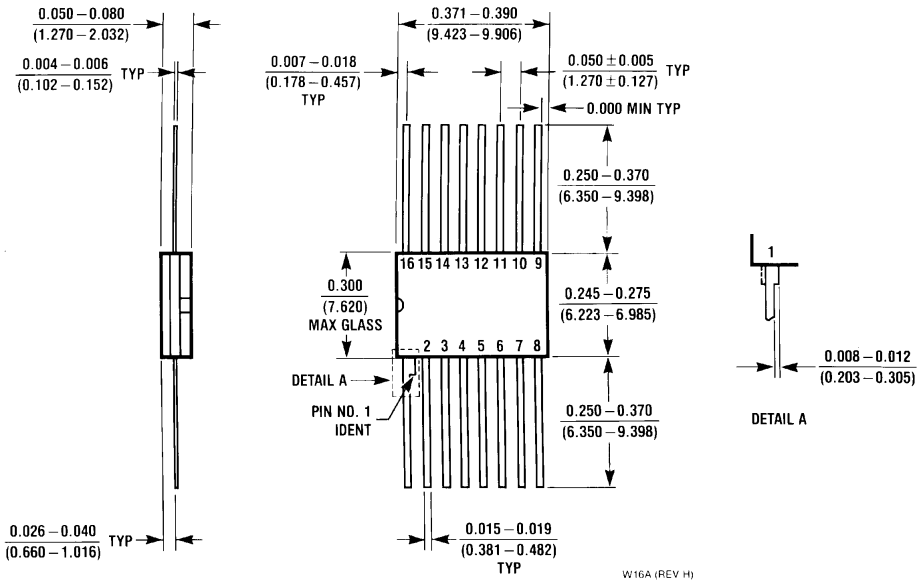


**16-Lead Small Outline Molded Package (M)**  
**Order Number DM74LS670M**  
**NS Package Number M16A**



**16-Lead Molded Dual-In-Line Package (N)**  
**Order Number DM74LS670N**  
**NS Package Number N16E**

**Physical Dimensions** inches (millimeters) (Continued)



**16-Lead Ceramic Flat Package (J)**  
**Order Number 54LS670FMQB or DM54LS670W**  
**NS Package Number W16A**

**LIFE SUPPORT POLICY**

NATIONAL'S PRODUCTS ARE NOT AUTHORIZED FOR USE AS CRITICAL COMPONENTS IN LIFE SUPPORT DEVICES OR SYSTEMS WITHOUT THE EXPRESS WRITTEN APPROVAL OF THE PRESIDENT OF NATIONAL SEMICONDUCTOR CORPORATION. As used herein:

1. Life support devices or systems are devices or systems which, (a) are intended for surgical implant into the body, or (b) support or sustain life, and whose failure to perform, when properly used in accordance with instructions for use provided in the labeling, can be reasonably expected to result in a significant injury to the user.
2. A critical component is any component of a life support device or system whose failure to perform can be reasonably expected to cause the failure of the life support device or system, or to affect its safety or effectiveness.



**National Semiconductor Corporation**  
 1111 West Bardin Road  
 Arlington, TX 76017  
 Tel: 1(800) 272-9959  
 Fax: 1(800) 737-7018

**National Semiconductor Europe**  
 Fax: (+49) 0-180-530 85 86  
 Email: onjwge@tevm2.nsc.com  
 Deutsch Tel: (+49) 0-180-530 85 85  
 English Tel: (+49) 0-180-532 78 32  
 Français Tel: (+49) 0-180-532 93 58  
 Italiano Tel: (+49) 0-180-534 16 80

**National Semiconductor Hong Kong Ltd.**  
 13th Floor, Straight Block,  
 Ocean Centre, 5 Canton Rd.  
 Tsimshatsui, Kowloon  
 Hong Kong  
 Tel: (852) 2737-1600  
 Fax: (852) 2736-9960

**National Semiconductor Japan Ltd.**  
 Tel: 81-043-299-2309  
 Fax: 81-043-299-2408

National does not assume any responsibility for use of any circuitry described, no circuit patent licenses are implied and National reserves the right at any time without notice to change said circuitry and specifications.

# National Semiconductor was acquired by Texas Instruments.

[http://www.ti.com/corp/docs/investor\\_relations/pr\\_09\\_23\\_2011\\_national\\_semiconductor.html](http://www.ti.com/corp/docs/investor_relations/pr_09_23_2011_national_semiconductor.html)

This file is the datasheet for the following electronic components:

DM54LS670 - <http://www.ti.com/product/dm54ls670?HQS=TI-null-null-dscatalog-df-pf-null-wwe>

54LS670 - <http://www.ti.com/product/54ls670?HQS=TI-null-null-dscatalog-df-pf-null-wwe>

DM74LS670 - <http://www.ti.com/product/dm74ls670?HQS=TI-null-null-dscatalog-df-pf-null-wwe>



LittleDiode supplies new, hard to find or obsolete electronic components and semiconductors all over the world.

With over two million different components listed you are sure to find the part you need.

Feel free to visit us today at our online store:

**[LittleDiode.com](http://LittleDiode.com)**

Looking forward to providing you with the best possible service.