

74LVX02 Low Voltage Quad 2-Input NOR Gate

General Description

The LVX02 contains four 2-input NOR gates. The inputs tolerate voltages up to 7V allowing the interface of 5V systems to 3V systems.

Features

- Input voltage level translation from 5V to 3V
- Ideal for low power/low noise 3.3V applications
- Guaranteed simultaneous switching noise level and dynamic threshold performance

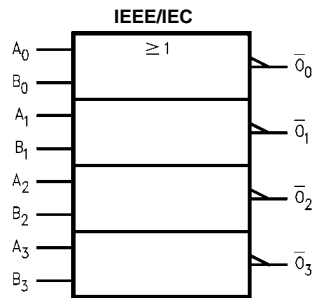
Ordering Code

| Order Number | Package Number | Package Description |
|----------------------------|----------------|---|
| 74LVX02M | M14A | 14-Lead Small Outline Integrated Circuit (SOIC), JEDEC MS-012, 0.150" Narrow |
| 74LVX02SJ | M14D | Pb-Free 14-Lead Small Outline Package (SOP), EIAJ TYPE II, 5.3mm Wide |
| 74LVX02MTC | MTC14 | 14-Lead Thin Shrink Small Outline Package (TSSOP), JEDEC MO-153, 4.4mm Wide |
| 74LVX02MTCX_NL (Note 1) | MTC14 | Pb-Free 14-Lead Thin Shrink Small Outline Package (TSSOP), JEDEC MO-153, 4.4mm Wide |

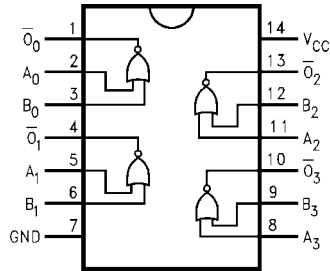
Devices also available in Tape and Reel. Specify by appending suffix letter "X" to the ordering code.
Pb-Free package per JEDEC J-STD-020B.

Note 1: "_NL" indicates Pb-Free package (per JEDEC J-STD-020B). Device available in Tape and Reel only.

Logic Symbol



Connection Diagram



Pin Descriptions

| Pin Names | Description |
|-------------|-------------|
| A_n, B_n | Inputs |
| \bar{O}_n | Outputs |

Absolute Maximum Ratings (Note 2)

| | |
|--|--------------------------|
| Supply Voltage (V_{CC}) | -0.5V to +7.0V |
| DC Input Diode Current (I_{IK}) | |
| $V_I = -0.5V$ | -20 mA |
| DC Input Voltage (V_I) | -0.5V to 7V |
| DC Output Diode Current (I_{OK}) | |
| $V_O = -0.5V$ | -20 mA |
| $V_O = V_{CC} + 0.5V$ | +20 mA |
| DC Output Voltage (V_O) | -0.5V to $V_{CC} + 0.5V$ |
| DC Output Source or Sink Current (I_O) | ± 25 mA |
| DC V_{CC} or Ground Current (I_{CC} or I_{GND}) | ± 50 mA |
| Storage Temperature (T_{STG}) | -65°C to +150°C |
| Power Dissipation | 180 mW |

Recommended Operating Conditions (Note 3)

| | |
|--|--------------------|
| Supply Voltage (V_{CC}) | 2.0V to 3.6V |
| Input Voltage (V_I) | 0V to 5.5V |
| Output Voltage (V_O) | 0V to V_{CC} |
| Operating Temperature (T_A) | -40°C to +85°C |
| Input Rise and Fall Time ($\Delta t/\Delta V$) | 0 ns/V to 100 ns/V |

Note 2: The "Absolute Maximum Ratings" are those values beyond which the safety of the device cannot be guaranteed. The device should not be operated at these limits. The parametric values defined in the Electrical Characteristics tables are not guaranteed at the absolute maximum ratings. The "Recommended Operating Conditions" table will define the conditions for actual device operation.

Note 3: Unused inputs must be held HIGH or LOW. They may not float.

DC Electrical Characteristics

| Symbol | Parameter | V_{CC} | $T_A = +25^\circ C$ | | | $T_A = -40^\circ C$ to $+85^\circ C$ | | Units | Conditions |
|----------|---------------------------|----------|---------------------|-----|-----------|--------------------------------------|-----------|---------|---|
| | | | Min | Typ | Max | Min | Max | | |
| V_{IH} | HIGH Level Input Voltage | 2.0 | 1.5 | | | 1.5 | | V | |
| | | 3.0 | 2.0 | | | 2.0 | | | |
| | | 3.6 | 2.4 | | | 2.4 | | | |
| V_{IL} | LOW Level Input Voltage | 2.0 | | | 0.5 | | 0.5 | V | |
| | | 3.0 | | | 0.8 | | 0.8 | | |
| | | 3.6 | | | 0.8 | | 0.8 | | |
| V_{OH} | HIGH Level Output Voltage | 2.0 | 1.9 | 2.0 | | 1.9 | | V | $V_{IN} = V_{IL}$ or V_{IH} $I_{OH} = -50 \mu A$ $I_{OH} = -50 \mu A$ $I_{OH} = -4 mA$ |
| | | 3.0 | 2.9 | 3.0 | | 2.9 | | | |
| | | 3.0 | 2.58 | | | 2.48 | | | |
| V_{OL} | LOW Level Output Voltage | 2.0 | | 0.0 | 0.1 | | 0.1 | V | $V_{IN} = V_{IL}$ or V_{IH} $I_{OL} = 50 \mu A$ $I_{OL} = 50 \mu A$ $I_{OL} = 4 mA$ |
| | | 3.0 | | 0.0 | 0.1 | | 0.1 | | |
| | | 3.0 | | | 0.36 | | 0.44 | | |
| I_{IN} | Input Leakage Current | 3.6 | | | ± 0.1 | | ± 1.0 | μA | $V_{IN} = 5.5V$ or GND |
| I_{CC} | Quiescent Supply Current | 3.6 | | | 2.0 | | 20.0 | μA | $V_{IN} = V_{CC}$ or GND |

Noise Characteristics (Note 4)

| Symbol | Parameter | V_{CC} (V) | $T_A = 25^\circ C$ | | Units | Conditions C_L (pF) |
|-----------|--|-----------------|--------------------|-------|-------|--------------------------|
| | | | Typ | Limit | | |
| V_{OLP} | Quiet Output Maximum Dynamic V_{OL} | 3.3 | 0.3 | 0.5 | V | 50 |
| V_{OLV} | Quiet Output Minimum Dynamic V_{OL} | 3.3 | -0.3 | -0.5 | V | 50 |
| V_{IHD} | Minimum HIGH Level Dynamic Input Voltage | 3.3 | | 2.0 | V | 50 |
| V_{ILD} | Maximum LOW Level Dynamic Input Voltage | 3.3 | | 0.8 | V | 50 |

Note 4: Input $t_r = t_f = 3ns$

| AC Electrical Characteristics | | | | | | | | | |
|-------------------------------|-----------------------------------|------------------------|------------------------|-----|------|---------------------------------|------|-------|------------------------|
| Symbol | Parameter | V _{CC} (V) | T _A = +25°C | | | T _A = -40°C to +85°C | | Units | C _L (pF) |
| | | | Min | Typ | Max | Min | Max | | |
| t _{PLH} | Propagation Delay Time | 2.7 | | 5.9 | 10.7 | 1.0 | 13.5 | ns | 15 |
| t _{PHL} | | | | 8.4 | 14.2 | 1.0 | 17.0 | | 50 |
| | | 3.3 ± 0.3 | | 4.5 | 6.6 | 1.0 | 8.0 | | 15 |
| | | | | 7.0 | 10.1 | 1.0 | 11.5 | | 50 |
| t _{OSLH} | Output to Output Skew (Note 5) | 2.7 | | | 1.5 | | 1.5 | ns | 50 |
| t _{OSHL} | | 3.3 | | | 1.5 | | 1.5 | | |

Note 5: Parameter guaranteed by design. t_{OSLH} = |t_{PLHm} - t_{PLHm}|. t_{OSHL} = |t_{PHLm} - t_{PHLm}|

Capacitance

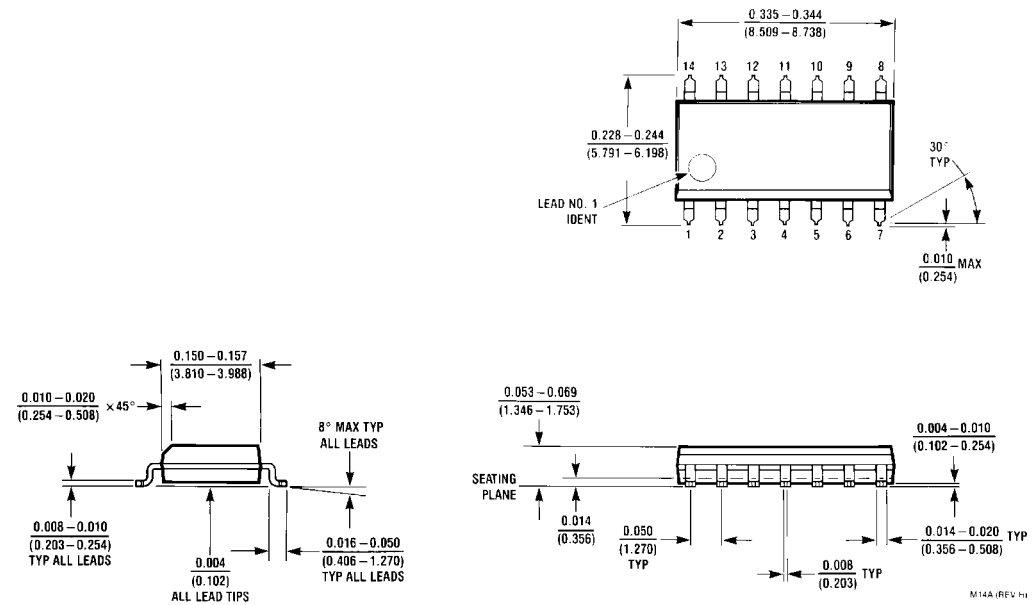
| Symbol | Parameter | T _A = +25°C | | | T _A = -40°C to +85°C | | Units |
|-----------------|---|------------------------|-----|-----|---------------------------------|-----|-------|
| | | Min | Typ | Max | Min | Max | |
| C _{IN} | Input Capacitance | | 4 | 10 | | 10 | pF |
| C _{PD} | Power Dissipation Capacitance (Note 6) | | 15 | | | | pF |

Note 6: C_{PD} is defined as the value of the internal equivalent capacitance which is calculated from the operating current consumption without load.
Average operating current can be obtained by the equation:

$$\text{Average operating current can be obtained by the equation: } I_{CC(\text{opr.})} = \frac{C_{PD} \times V_{CC} \times f_{IN} + I_{CC}}{4} \text{ (per Gate)}$$

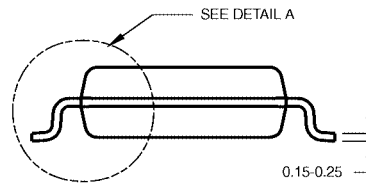
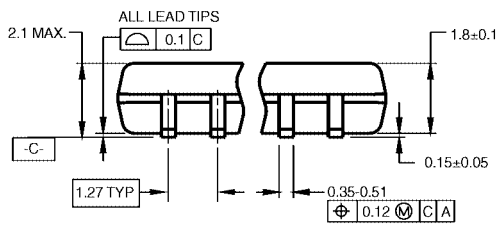
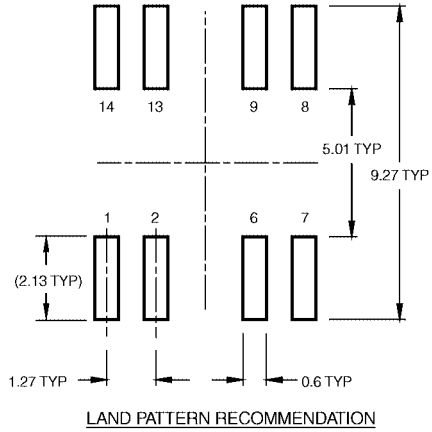
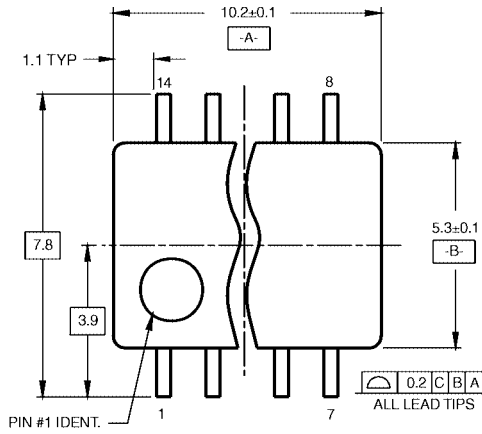
74LVX02

Physical Dimensions inches (millimeters) unless otherwise noted



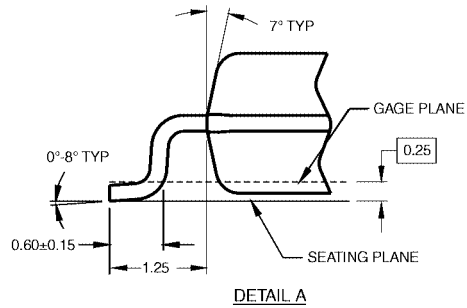
**14-Lead Small Outline Integrated Circuit (SOIC), JEDEC MS-012, 0.150" Narrow
Package Number M14A**

Physical Dimensions inches (millimeters) unless otherwise noted (Continued)



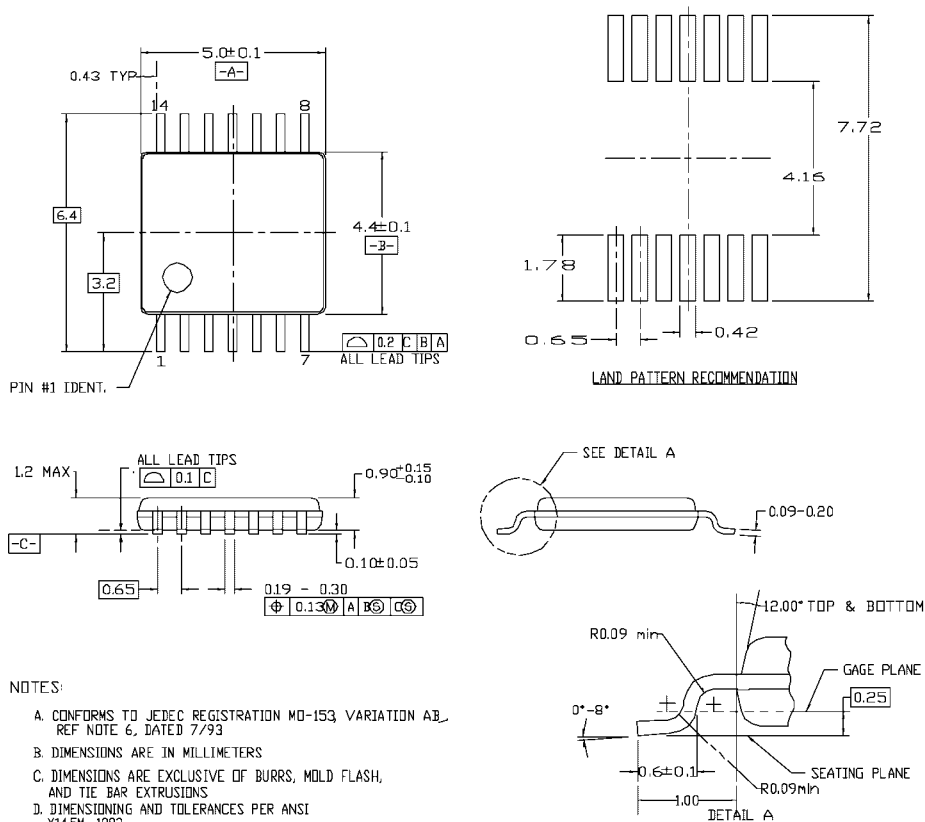
- NOTES:
- A. CONFORMS TO EIAJ EDR-7320 REGISTRATION, ESTABLISHED IN DECEMBER, 1998.
 - B. DIMENSIONS ARE IN MILLIMETERS.
 - C. DIMENSIONS ARE EXCLUSIVE OF BURRS, MOLD FLASH, AND TIE BAR EXTRUSIONS.

M14DRevB1



Pb-Free 14-Lead Small Outline Package (SOP), EIAJ TYPE II, 5.3mm Wide Package Number M14D

Physical Dimensions inches (millimeters) unless otherwise noted (Continued)



- NOTES:
- A. CONFORMS TO JEDEC REGISTRATION MO-153 VARIATION AB, REF NOTE 6, DATED 7/93
 - B. DIMENSIONS ARE IN MILLIMETERS
 - C. DIMENSIONS ARE EXCLUSIVE OF BURRS, MOLD FLASH, AND TIE BAR EXTRUSIONS
 - D. DIMENSIONING AND TOLERANCES PER ANSI Y14.5M, 1982

MTC14revD

14-Lead Thin Shrink Small Outline Package (TSSOP), JEDEC MO-153, 4.4mm Wide Package Number MTC14

Fairchild does not assume any responsibility for use of any circuitry described, no circuit patent licenses are implied and Fairchild reserves the right at any time without notice to change said circuitry and specifications.

LIFE SUPPORT POLICY

FAIRCHILD'S PRODUCTS ARE NOT AUTHORIZED FOR USE AS CRITICAL COMPONENTS IN LIFE SUPPORT DEVICES OR SYSTEMS WITHOUT THE EXPRESS WRITTEN APPROVAL OF THE PRESIDENT OF FAIRCHILD SEMICONDUCTOR CORPORATION. As used herein:

1. Life support devices or systems are devices or systems which, (a) are intended for surgical implant into the body, or (b) support or sustain life, and (c) whose failure to perform when properly used in accordance with instructions for use provided in the labeling, can be reasonably expected to result in a significant injury to the user.
2. A critical component in any component of a life support device or system whose failure to perform can be reasonably expected to cause the failure of the life support device or system, or to affect its safety or effectiveness.

www.fairchildsemi.com



LittleDiode supplies new, hard to find or obsolete electronic components and semiconductors all over the world.

With over two million different components listed you are sure to find the part you need.

Feel free to visit us today at our online store:

LittleDiode.com

Looking forward to providing you with the best possible service.