

# AN6876

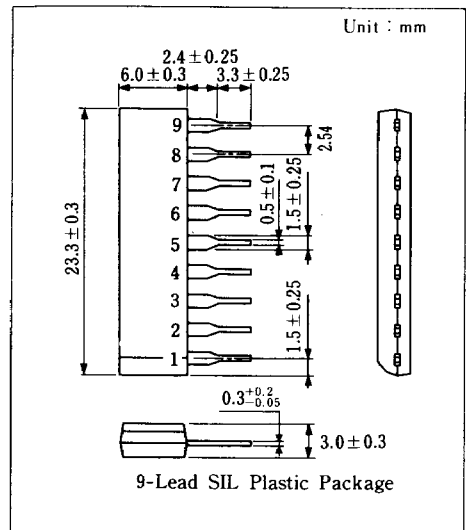
## 5-Dot LED Driver Circuit

### ■ Outline

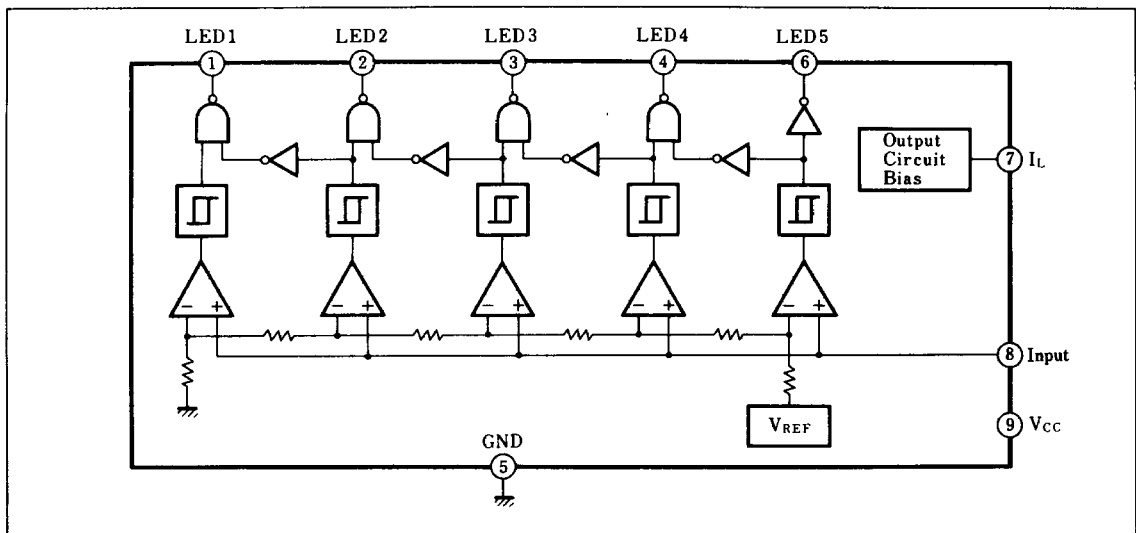
The AN6876 is an integrated circuit designed for driving 5-dot LED so that LED may light linearly for input signal. Because the adjust pin for output current is provided, the brightness of LED can be controlled.

### ■ Features

- 5-LED bar graph or dot display drive
- Linear response with respect to input
- Brightness externally adjustable
- High output current, suitable for green LED drive
- Lamp ON/OFF hysteresis, no flickering by noise



### ■ Block Diagram



## Pin

Pin No.	Pin Name	Pin No.	Pin Name
1	LED1 Output	6	LED5 Output
2	LED2 Output	7	LED Current Set Input
3	LED3 Output	8	Non Inverting Input
4	LED4 Output	9	V <sub>CC</sub>
5	GND		

## Absolute Maximum Ratings (Ta=25°C)

Item	Symbol	Rating		Unit
		Min.	Max.	
Voltage	Supply Voltage	V <sub>CC</sub>	-0.5 ~ +18	V
	Circuit Voltage	V <sub>8-5</sub>	-0.5 ~ +16	V
	Load Current Set Input Voltage	V <sub>7-5</sub>	+16	V
	Output Voltage* <sup>1</sup>	V <sub>o</sub>	-0.5 ~ +16	V
Current	Supply Current* <sup>1</sup>	I <sub>CC</sub>	18	mA
	Load Current Set Input Current* <sup>2</sup>	I <sub>7</sub>	5	mA
	Output Current* <sup>1</sup>	I <sub>o</sub>	20	mA
Power Dissipation (T <sub>a</sub> =75°C)	P <sub>D</sub>		550	mW
Temperature	Operating Ambient Temperature	T <sub>OPR</sub>	-20 ~ +75	°C
	Storage Temperature	T <sub>STG</sub>	-55 ~ +150	°C

\*1 Output pins ①, ②, ③, ④ and ⑤

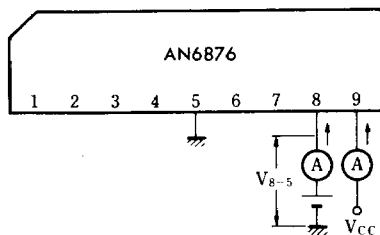
\*2 I<sub>7</sub> which can set I<sub>o</sub>=20mA is assumed to be the absolute rated value.

## Electrical Characteristics (Ta=25°C)

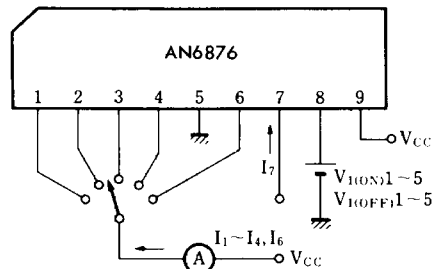
Item	Symbol	Test Circuit	Condition	min.	typ.	max.	Unit
Input Voltage (LED ON)	LED1	V <sub>I(ON)1</sub>	V <sub>CC</sub> = 16V	1.63	1.83	2.00	V
	LED2	V <sub>I(ON)2</sub>		2.20	2.43	2.64	V
	LED3	V <sub>I(ON)3</sub>		2.80	3.03	3.27	V
	LED4	V <sub>I(ON)4</sub>		3.38	3.64	3.88	V
	LED5	V <sub>I(ON)5</sub>		3.92	4.14	4.37	V
Load Current	Pin6	I <sub>6</sub>	V <sub>CC</sub> = 16V, V <sub>o</sub> = 1.2V, I <sub>7</sub> = 4.25mA	13	16		mA
	Pin1~4	I <sub>1~I4</sub>	V <sub>CC</sub> = 16V, V <sub>o</sub> = 2.5V, I <sub>7</sub> = 4.25mA	13	16		mA
	Pin1~4,6	I <sub>1~I4, I6</sub>	V <sub>CC</sub> = 16V, V <sub>o</sub> = 16V, I <sub>7</sub> = 4.25mA		16	19	mA
Input Current		I <sub>8</sub>	V <sub>CC</sub> = 16V, V <sub>8-5</sub> = 8.5V			50	μA
		I <sub>8</sub>	V <sub>CC</sub> = 16V, V <sub>8-5</sub> = 16V			5	mA
Supply Current		I <sub>9</sub>	V <sub>CC</sub> = 16V, V <sub>8-5</sub> = 16V			18	mA
Output Pin Leakage Current		I <sub>1~I4, I6</sub>	V <sub>CC</sub> = 16V, V <sub>o</sub> = 16V			15	μA

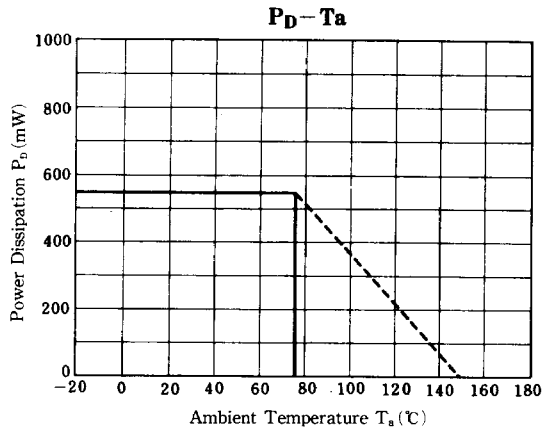
Note) Operating Supply Voltage Range : V<sub>CC(OPP)</sub> = 12~16V

### Test Circuit 1 (I<sub>8</sub>, I<sub>9</sub>)



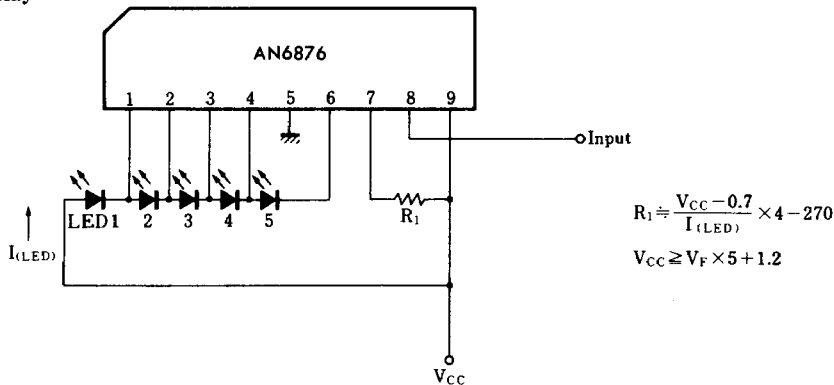
### Test Circuit 2 (V<sub>I(ON)1-5</sub>, V<sub>I(OFF)1-5</sub>, I<sub>6</sub>, I<sub>1~I4</sub>)





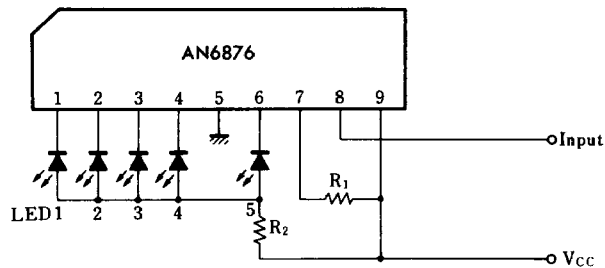
■ Application Circuit

1. Bar Display



Note) When the voltage of Pin ⑧ is high for 5-dot LED ON, insert the resistor into the anode of LED, to reduce P<sub>D</sub>.

2. Dot Display



This datasheet has been downloaded from:

[www.DatasheetCatalog.com](http://www.DatasheetCatalog.com)

Datasheets for electronic components.



LittleDiode supplies new, hard to find or obsolete electronic components and semiconductors all over the world.

With over two million different components listed you are sure to find the part you need.

Feel free to visit us today at our online store:

[LittleDiode.com](http://LittleDiode.com)

Looking forward to providing you with the best possible service.