

# AN7345K

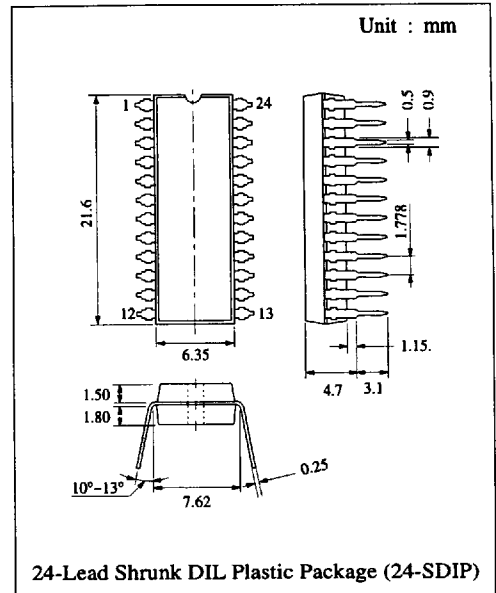
## Dual Record/Playback Pre-Amplifier IC for Double Cassette

### ■ Description

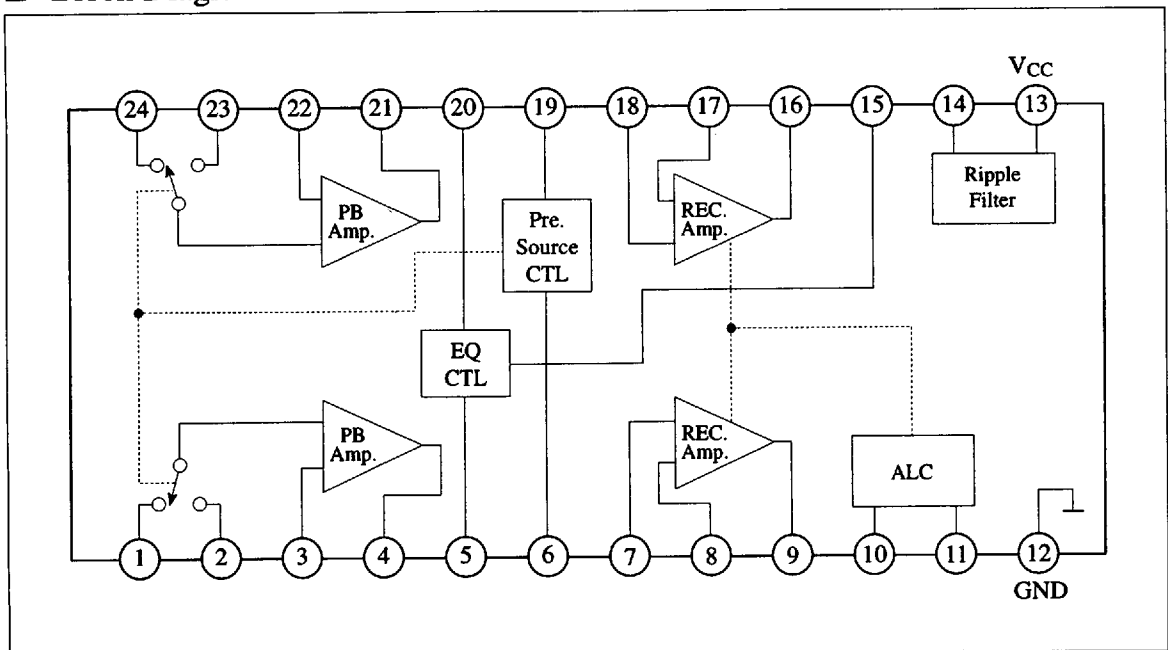
The AN7345K is a monolithic integrated circuit designed for double cassette, and built-in Dual-channel Record/Playback pre-amplifier including ALC function in the shrunk 24-DIL Pin Package.

### ■ Features

- Built-in equalizer SW circuit for Playback Amplifier
- Built-in Playback Amplifier input switching circuit for Double Cassette
- Wide operating supply voltage range :  
 $V_{CC(opr)} = 4V \sim 12V$



### ■ Block Diagram



### ■ Absolute Maximum Ratings (Ta=25°C)

| Item                          | Symbol           | Rating     | Unit |
|-------------------------------|------------------|------------|------|
| Supply Voltage                | V <sub>CC</sub>  | 14         | V    |
| Supply Current                | I <sub>CC</sub>  | 37         | mA   |
| Power Dissipation             | P <sub>D</sub>   | 1000       | mW   |
| Operating Ambient Temperature | T <sub>opr</sub> | -20 ~ +75  | °C   |
| Storage Temperature           | T <sub>stg</sub> | -55 ~ +150 | °C   |

Operating Supply Voltage Range: V<sub>CC</sub> = 4.0V ~ 12.0V

### ■ Electrical Characteristics (V<sub>CC</sub>=5V, Ta=25°C)

| Item                     | Symbol           | Condition            | min. | typ. | max. | Unit |
|--------------------------|------------------|----------------------|------|------|------|------|
| No Signal Supply Current | I <sub>tot</sub> | V <sub>in</sub> = 0V | 5.5  | 11   | 17.5 | mA   |

#### Playback Amp.

|                           |                    |   |      |      |     |    |
|---------------------------|--------------------|---|------|------|-----|----|
| Input Noise Voltage       | V <sub>ni(p)</sub> | R <sub>g</sub> = 2.2kΩ, DIN/AUDIO                       |      | 1.3  | 2   | μV |
| Open-Loop Gain            | G <sub>VO(p)</sub> | f = 1kHz, V <sub>O</sub> = 0dBV                         | 75   | 84   |     | dB |
| Closed-Loop Gain          | G <sub>VC(p)</sub> | f = 1kHz, V <sub>O</sub> = 0dBV                         |      | 43   |     | dB |
| Total Harmonic Distortion | THD <sub>(p)</sub> | f = 1kHz, V <sub>O</sub> = 0dBV                         |      | 0.05 | 0.4 | %  |
| Max. Output Voltage       | V <sub>O(p)</sub>  | f = 1kHz, THD = 3%                                      | 0.9  | 1.4  |     | V  |
| Channel Balance           | CB <sub>(p)</sub>  | f = 1kHz, V <sub>O</sub> = 0dBV                         | -1.5 | 0    | 1.5 | dB |
| Channel Crosstalk         | CT <sub>C(p)</sub> | f = 1kHz, V <sub>O</sub> = 0dBV, R <sub>g</sub> = 2.2kΩ | 55   | 65   |     | dB |
| Source Crosstalk          | CT <sub>S(p)</sub> | f = 1kHz, V <sub>O</sub> = 0dBV, R <sub>g</sub> = 2.2kΩ | 55   | 65   |     | dB |

#### REC. Amp.

|                           |                    |  |     |      |     |    |
|---------------------------|--------------------|--|-----|------|-----|----|
| Output Noise Voltage      | V <sub>no(R)</sub> | R <sub>g</sub> = 0Ω, DIN/AUDIO                       |     | 350  | 900 | μV |
| Open-Loop Gain            | G <sub>VO(R)</sub> | f = 1kHz, V <sub>O</sub> = 0dBV                      | 70  | 80   |     | dB |
| Closed-Loop Gain          | G <sub>VC(R)</sub> | f = 1kHz, V <sub>O</sub> = 0dBV                      |     | 50   |     | dB |
| Total Harmonic Distortion | THD <sub>(R)</sub> | f = 1kHz, V <sub>O</sub> = 0dBV                      |     | 0.16 | 0.5 | %  |
| Max. Output Voltage       | V <sub>O(R)</sub>  | f = 1kHz, THD = 3%                                   | 1.4 | 1.8  |     | V  |
| Channel Crosstalk         | CT <sub>(R)</sub>  | f = 1kHz, V <sub>O</sub> = 0dBV, R <sub>g</sub> = 0Ω | 50  | 63   |     | dB |

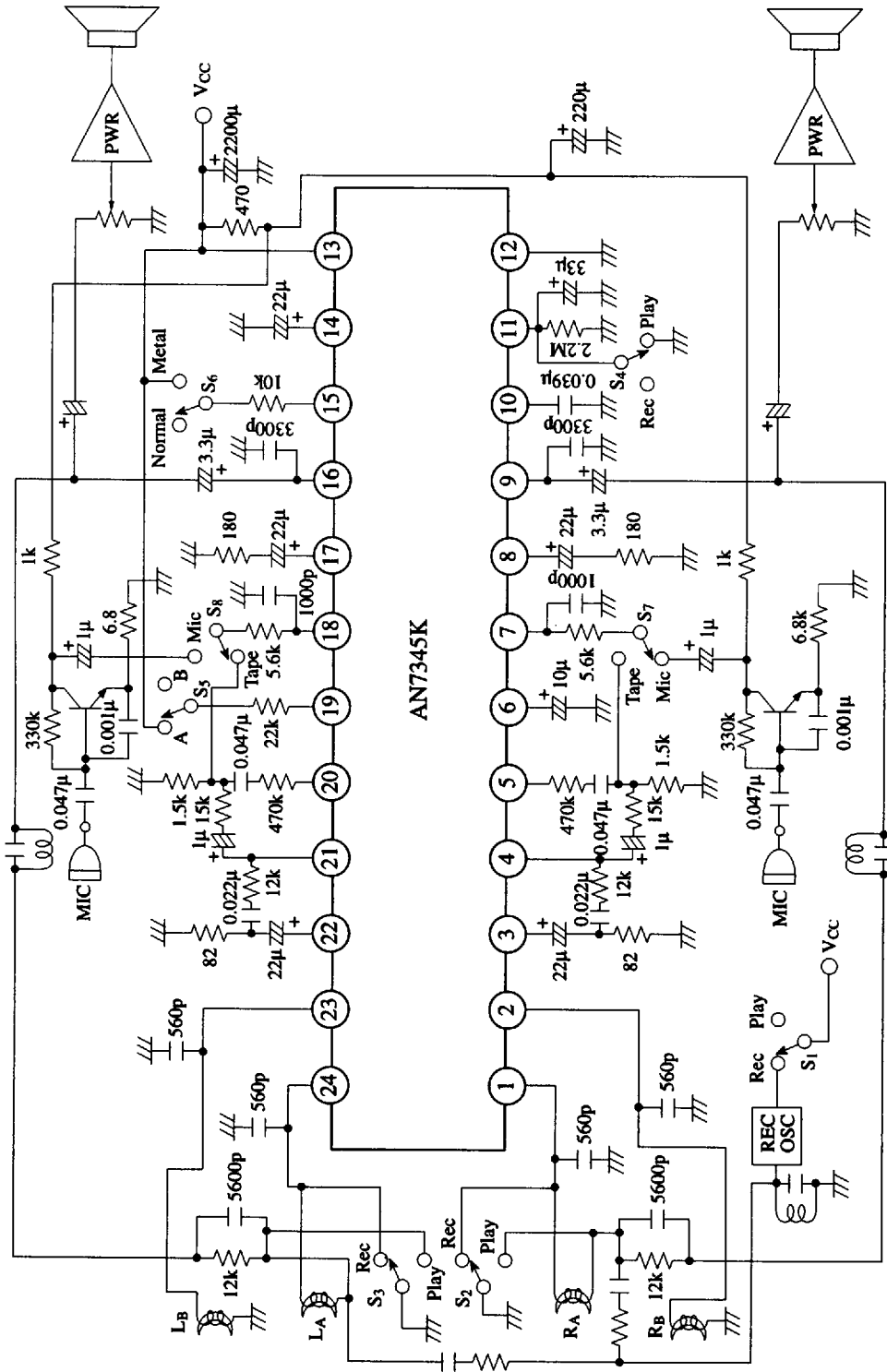
#### ALC

|                     |                   |   |      |      |      |    |
|---------------------|-------------------|---|------|------|------|----|
| ALC Start Voltage   | V <sub>ALC</sub>  | f = 1kHz, V <sub>in</sub> = -40dBV                        | 0.78 | 1.03 | 1.28 | V  |
| ALC Range (*1)      | W <sub>ALC</sub>  | f = 1kHz, V <sub>O</sub> = 0dBV, R <sub>g</sub> = 5.6kΩ   | 35   |      |      | dB |
| ALC Channel Balance | CB <sub>(A)</sub> | f = 1kHz, V <sub>O</sub> = -40dBV, R <sub>g</sub> = 5.6kΩ | -2   | 0    | 2    | dB |

Note : (\*1) ALC Range is the input range from V<sub>in</sub> = -40dB until the output THD becomes 3%


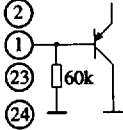
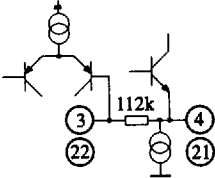

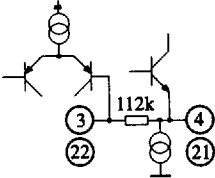
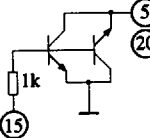
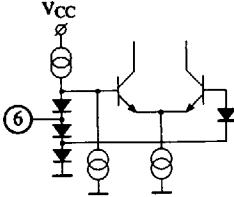

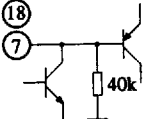
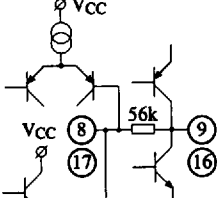

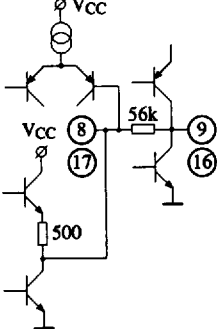


■ Application Circuit - 2

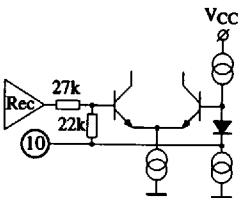
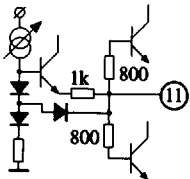
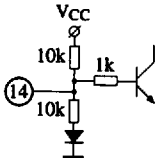
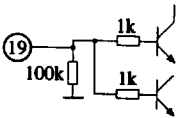


- S<sub>1</sub> - S<sub>4</sub> : Play / Rec switching
  - S<sub>5</sub> : A / B head input signal switching
  - S<sub>6</sub> : Normal / Metal, Equalizer switching
  - S<sub>7, 8</sub> : Tape Rec / MIC Rec switching
- (Note) More than 5.6kΩ is necessary for input of Pin 7, Pin 18

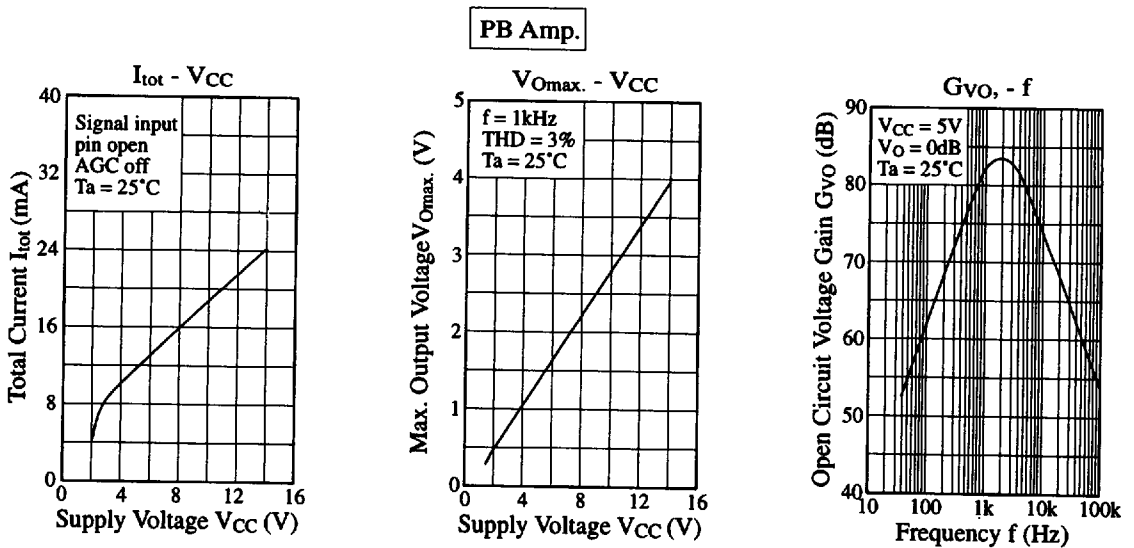
## ■ Pin Descriptions

| Pin No. | Pin Name                                  | Typical Waveform   | Equivalent Circuit  | Description  |
|---------|---|--|---|--|
| 1       | Channel 1 Playback Amp. Input (1)         | <br>AC 3.7mV    |    | Playback amp. input.   |
| 24      | Channel 2 Playback Amp. Input (1)         |  |   |  |
| 2       | Channel 1 Playback Amp. Input (2)         |  |   |  |
| 23      | Channel 2 Playback Amp. Input (2)         |  |   |  |
| 3       | Channel 1 Playback Amp. Negative Feedback | DC = 0.7V  |    | Playback amp. feedback.  |
| 22      | Channel 2 Playback Amp. Negative Feedback |  |   |  |
| 4       | Channel 1 Playback Amp. Output            | <br>AC 1V       |    | Playback amp. output.  |
| 21      | Channel 2 Playback Amp. Output            |  |   |  |
| 5       | Channel 1 Equalizer                       |  |   | Playback amp. Equalizer switching.<br><br>(more than) 0.7V - Equalizer pin, GND short. |
| 20      | Channel 2 Equalizer                       |  |   |  |
| 15      | Equalizer Control                         |  |   |  |
| 6       | Pre-amp. Input Switching Time Constant    | DC = 1.4V (Pin 19 High)<br>DC = 0.2V (Pin 19 open)   |  | Connect capacitor which determines PB input switching time constant.                   |
| 7       | Channel 1 Rec. Amp. Input                 | <br>AC 1.9 mV |  | Rec. amp. input.   |
| 18      | Channel 2 Rec. Amp. Input                 |  |   |  |
| 8       | Channel 1 Rec. Amp. Negative Feedback     | DC = 0.7V  |  | Rec. amp. feedback.  |
| 17      | Channel 2 Rec. Amp. Negative Feedback     |  |   |  |
| 9       | Channel 1 Rec. Amp. Output                | <br>AC 0.5 mV |  | Rec. amp. output.  |
| 16      | Channel 2 Rec. Amp. Output                |  |   |  |

■ Pin Descriptions (Continue)

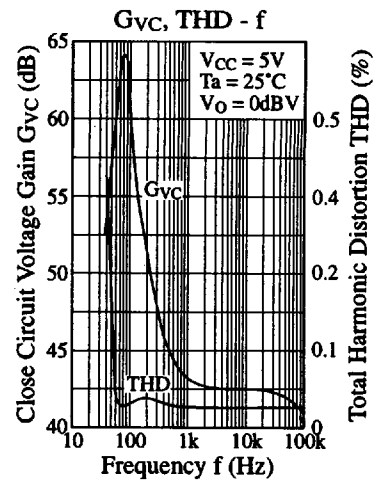
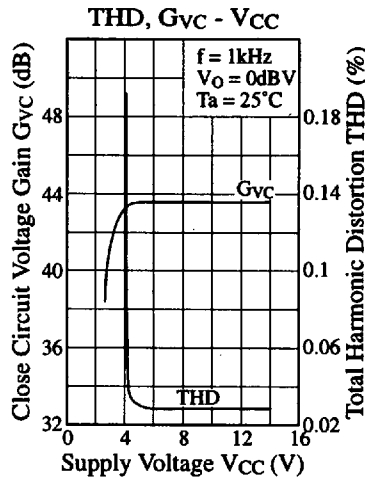
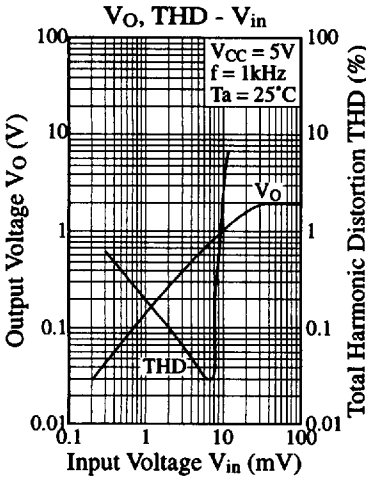
| Pin No. | Pin Name                         | Typical Waveform    | Equivalent Circuit   | Description  |
|---------|----------------------------------|---------------------|--|--|
| 10      | Low CUT                          | DC ≈ 2.5V           |   | ALC comparator circuit reference voltage.                                    |
| 11      | ALC Time Constant                | Follow input signal |   | Low-pass filter pin.   |
| 12      | GND                              |                     |  | Main Circuit GND.  |
| 13      | Positive Supply Pin              | DC = 5V             |  | Main Circuit +Vcc.   |
| 14      | V <sub>REF</sub>                 | DC = 3.2V           |   |  |
| 19      | Pre-amp. Input Switching Control |                     |  | Pre-amp. (T1/T2) input switching control.<br>(more than) 0.7V - T1 open - T2 |

■ Characteristics Curve

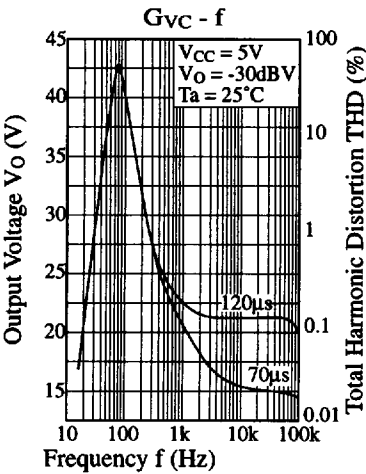


■ Characteristics Curve (Continue)

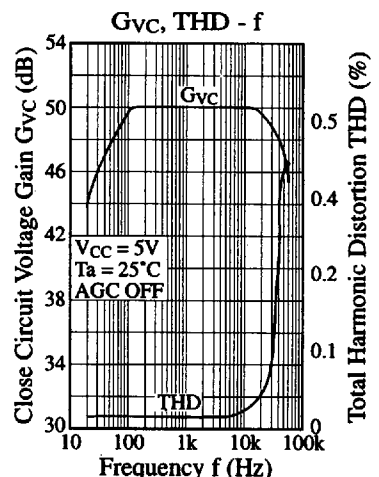
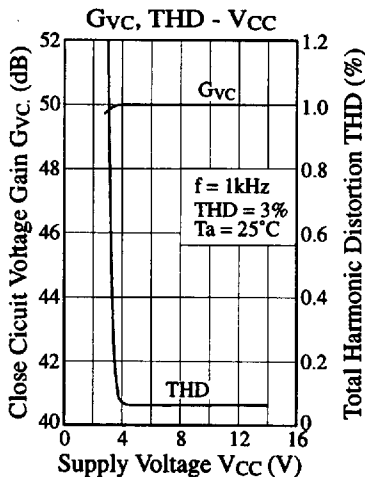
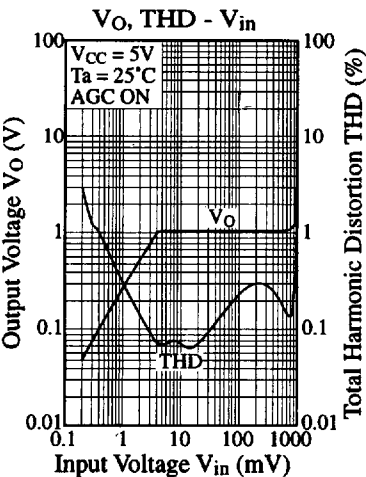
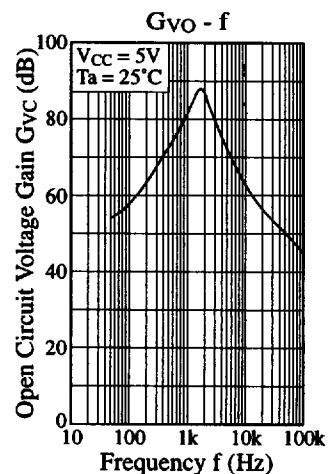
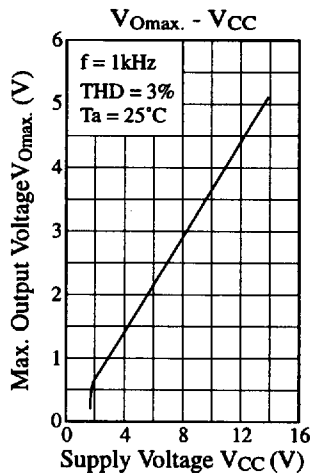
PB Amp.



Equalizer



Rec Amp.



## ■ Application Notes

### (1) ALC Detector

The detector is built-in. ALC is cut-off during play-back by shorting Pin 11 to Ground. Pin 11 is connected with a condenser  $33\mu\text{F}$  and a resistor  $2.2\text{M}\Omega$  when this condenser charges up to about  $1.4\text{V}$  during ALC operation, the output AC Voltage of the recording amps are maintained at  $1\text{V}$ . (Frequency =  $1\text{kHz}$ ,  $V_{\text{CC}} = 5.0\text{V}$ , external resistor at Rec-amp. inputs =  $5.6\text{k}\Omega$ ).

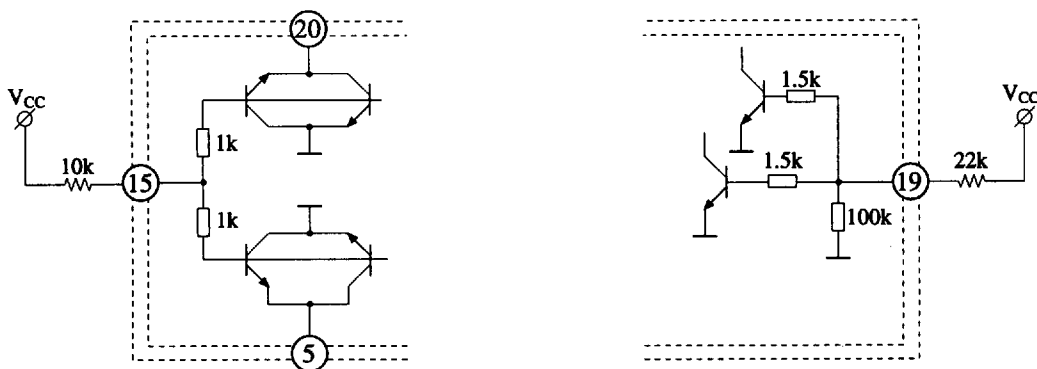
The ALC attack time is about  $40\text{ms}$ , while the ALC recovery time is about  $8\text{s}$ . These were found experimentally using the above conditions.

### (2) Tape-Type Equalisation Control

When voltage at Pin 15 is 'High', tape playback response is for metal ( $70\mu\text{s}$ ). When voltage at Pin 15 is 'Low', tape playback response is for normal tape ( $120\mu\text{s}$ ). When voltage at Pin 15 is 'High', the internal switches at Pin 5 and 20 are shorted to Ground. Otherwise when Pin 15 is 'Low', these switches are opened.

Range of safe operating 'High' voltage for Pin 15 :  $1.0\text{V} \leq \text{limits} \leq 12.0\text{V}$

There are  $1\text{k}\Omega$  resistors internal at Pin 15 to limit the current. However, it is advisable to put an external resistor of  $10\text{k}\Omega$  to reduce any switching noise.



### (3) Pre-Source Control

When the voltage at Pin 19 is 'High', input signals at Pin 1 and 24 are selected for the pre-amps. When the voltage at Pin 19 is 'Low', input signals at Pin 2 and 23 are selected.

Similarly for safe operation 'High' voltage at Pin 19 :  $1.0\text{V} \leq \text{limits} \leq 12\text{V}$

Also, if possible, use an external  $22\text{k}\Omega$  resistor at Pin 19 to reduce any switching noise.

This datasheet has been downloaded from:

[www.DatasheetCatalog.com](http://www.DatasheetCatalog.com)

Datasheets for electronic components.



LittleDiode supplies new, hard to find or obsolete electronic components and semiconductors all over the world.

With over two million different components listed you are sure to find the part you need.

Feel free to visit us today at our online store:

[LittleDiode.com](http://LittleDiode.com)

Looking forward to providing you with the best possible service.