

Video signal switcher

BA7645N

The BA7645N is a four-channel analog multiplexer with mute, designed for use in video cassette recorders. It features a large dynamic range, and wide operating frequency range, and has sync-tip inputs which are ideal for switching video signals.

●Applications

Video cassette recorders and televisions

●Features

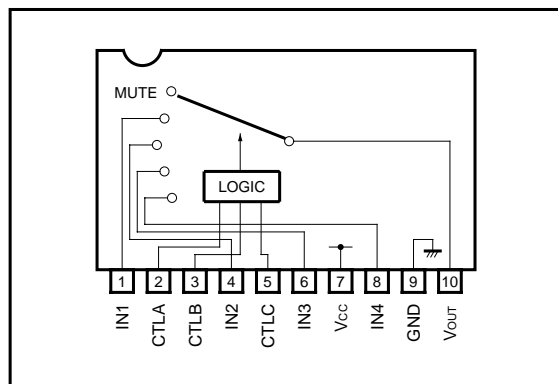
- 1) 4-input / 1-output switches.
- 2) Built-in mute.
- 3) Sync-tip inputs.
- 4) Wide operating supply voltage range (4.5V to 13.0V).
- 5) Low power consumption (48mW Typ.).
- 6) Excellent frequency characteristics (10MHz, 0dB Typ.).
- 7) Wide dynamic range (3.5V_{P-P} Typ.).
- 8) Low interchannel crosstalk (− 65dB Typ., f = 4.43MHz).

●Absolute maximum ratings (Ta = 25°C)

Parameter	Symbol	Limit	Unit
Power supply voltage	V _{CC}	13.5	V
Power dissipation	P _d	850*	mW
Operating temperature	T _{opr}	− 25 ~ + 75	°C
Storage temperature	T _{stg}	− 55 ~ + 125	°C

* Reduced by 8.5mW for each increase in Ta of 1°C over 25°C.

●Block diagram



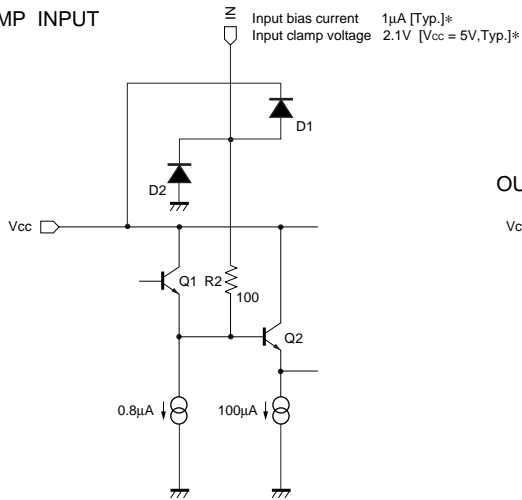
●Truth table

CTLA	CTLB	CTLC	OUT
L (OPEN)	L (OPEN)	L (OPEN)	IN1
L (OPEN)	H	L (OPEN)	IN2
H	L (OPEN)	L (OPEN)	IN3
H	H	L (OPEN)	IN4
*	*	H	MUTE

* Either "L (open)" or "H".

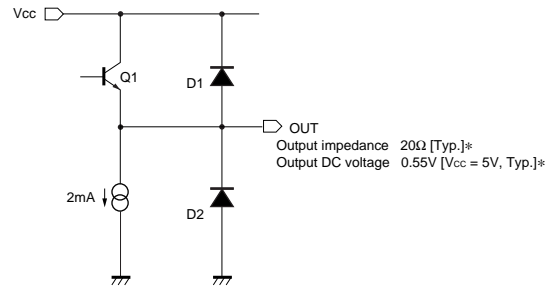
●Equivalent circuits

CLAMP INPUT

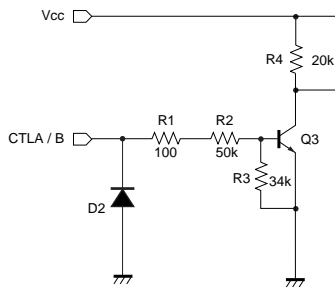


* Reference value

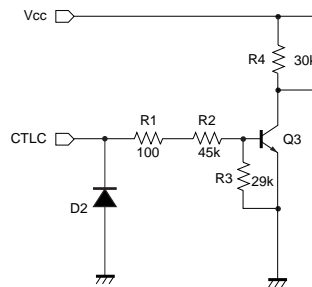
OUTPUT



CTLA / CTLB



CTLC



●Electrical characteristics (unless otherwise noted $T_a = 25^\circ\text{C}$ and $V_{CC} = 5\text{V}$)

Parameter	Symbol	Min.	Typ.	Max.	Unit	Conditions
Operating voltage	V_{CC}	4.5	—	13.0	V	—
Supply current	I_{CC}	—	9.5	14.5	mA	—
Maximum output level	V_{om}	3.0	3.5	—	V_{P-P}	$f = 1\text{kHz}$, THD = 0.5%
Voltage gain	G_V	-0.5	0	+0.5	dB	$f = 1\text{MHz}$, $V_{IN} = 1.0V_{P-P}$
Interchannel crosstalk	C_T	—	-65	—	dB	$f = 4.43\text{MHz}$, $V_{IN} = 1.0V_{P-P}$
Frequency characteristics	C_f	-3.0	0	+1.0	dB	$f = 10\text{MHz} / 1\text{MHz}$, $V_{IN} = 1.0V_{P-P}$
CTL pin switching level A	V_{TH-A}	1.0	2.0	3.0	V	—
CTL pin switching level B	V_{TH-B}	1.0	2.0	3.0	V	—
CTL pin switching level C	V_{TH-C}	1.0	2.0	3.0	V	—

○Not designed for radiation resistance.

● Measurement circuit

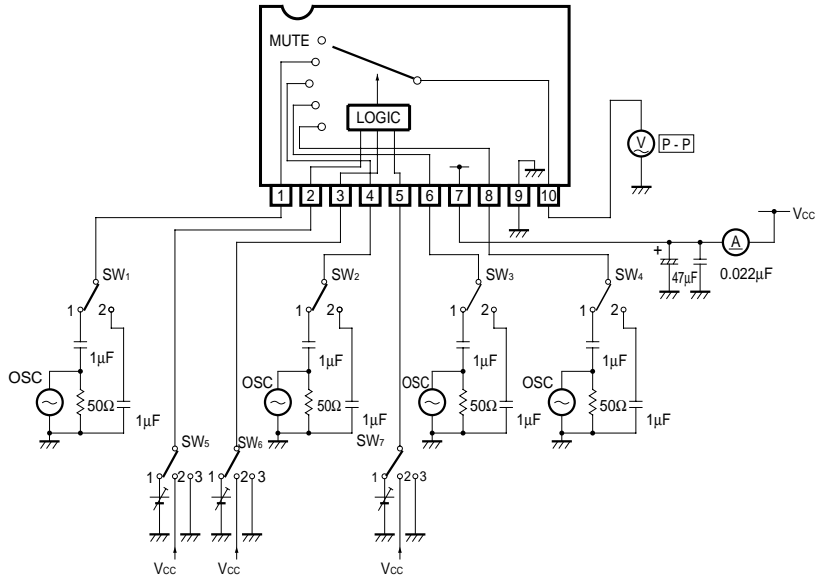


Fig. 1

● Electrical characteristic curves

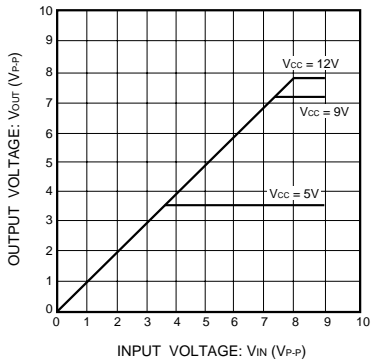


Fig. 2 V_{IN} vs. V_{OUT} ($f = 1\text{kHz}$)

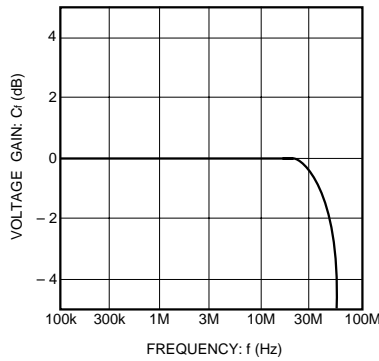


Fig. 3 Frequency characteristics

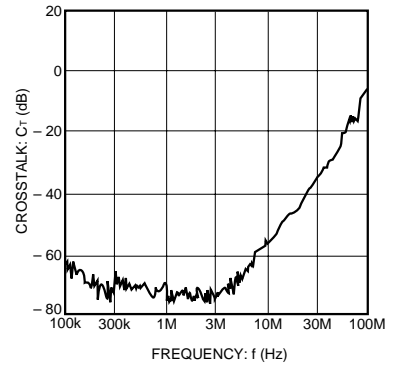


Fig. 4 Interchannel crosstalk

●Measurement conditions

Parameter		Symbol	Switch settings							Measurement method
			SW ₁	SW ₂	SW ₃	SW ₄	SW ₅	SW ₆	SW ₇	
Current dissipation		I _{cc}	2	2	2	2	2	2	2	Ammeter
Maximum output level	IN 1	V _{om}	1	2	2	2	3	3	3	f = 1kHz, THD = 0.5% Note 1
	IN 2	V _{om}	2	1	2	2	3	2	3	
	IN 3	V _{om}	2	2	1	2	2	3	3	
	IN 4	V _{om}	2	2	2	1	2	2	3	
Voltage gain	IN 1	G _V	1	2	2	2	3	3	3	f = 1MHz, V _{IN} = 1V _{P-P} Note 2
	IN 2	G _V	2	1	2	2	3	2	3	
	IN 3	G _V	2	2	1	2	2	3	3	
	IN 4	G _V	2	2	2	1	2	2	3	
Interchannel crosstalk	IN1→IN2	C _T	1	2	2	2	3	2	3	f = 4.43MHz, V _{IN} = 1V _{P-P} Note 3
	IN1→IN3	C _T	1	2	2	2	2	3	3	
	IN1→IN4	C _T	1	2	2	2	2	2	3	
	IN1→MUTE	C _T	1	2	2	2	*	*	2	
	IN2→IN3	C _T	2	1	2	2	2	3	3	
	IN2→IN4	C _T	2	1	2	2	2	2	3	
	IN2→MUTE	C _T	2	1	2	2	*	*	2	
	IN3→IN4	C _T	2	2	1	2	2	2	3	
	IN3→MUTE	C _T	2	2	1	2	*	*	2	
IN4→MUTE	C _T	2	2	2	1	*	*	2		
Frequency characteristic	IN 1	G _f	1	2	2	2	3	3	3	f = 10MHz / 1MHz V _{IN} = 1V _{P-P} Note 4
	IN 2	G _f	2	1	2	2	3	2	3	
	IN 3	G _f	2	2	1	2	2	3	3	
	IN 4	G _f	2	2	2	1	2	2	3	
CTL pin switching level	CTLA	V _{TH}	2	2	1	2	1	3	3	Note 5
	CTLB	V _{TH}	2	1	2	2	3	1	3	Note 6
	CTLC	V _{TH}	1	2	2	2	3	3	1	Note 6

* Anywhere is possible.

Note 1: Connect a distortion meter to the output, and input a f = 1kHz sine wave. Adjust the input level until the output distortion is 0.5%.

This output voltage at this time is the maximum output level V_{om} (V_{P-P}).

Note 2: Input a f = 1MHz, V_{IN} = 1V_{P-P} sine wave. The voltage gain is given by G_V = 20 log (V_{OUT} / V_{IN}).

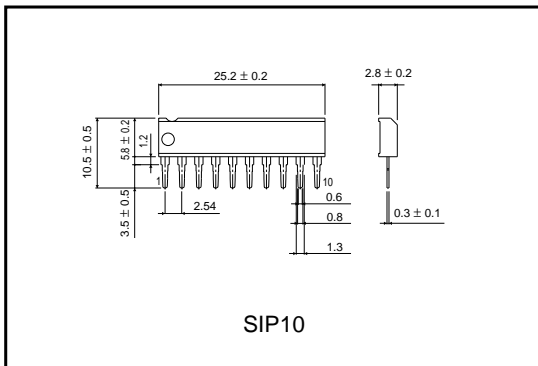
Note 3: Input a f = 4.43MHz, V_{IN} = 1V_{P-P} sine wave. The interchannel crosstalk is given by C_T = 20 log (V_{OUT} / V_{IN}).

Note 4: Input f = 1MHz and 10MHz, V_{IN} = 1V_{P-P} sine waves. The frequency characteristic is given by G_f = 20 log (V_{OUT} (f = 10MHz) / V_{OUT} (f = 1MHz)).

Note 5: Input a f = 1MHz, V_{IN} = 1V_{P-P} sine wave. Reduce the CTL pin voltage from V_{cc}. The CTL pin switching level (V_{TH}) is the CTL pin voltage at which the V_{OUT} level drops below 20mV_{P-P}.

Note 6: Input a f = 1MHz, V_{IN} = 1V_{P-P} sine wave. Increase the CTL pin voltage from 0V. The CTL pin switching level (V_{TH}) is the CTL pin voltage at which the V_{OUT} level goes below 1.0VDC

●External dimensions (Units: mm)





LittleDiode supplies new, hard to find or obsolete electronic components and semiconductors all over the world.

With over two million different components listed you are sure to find the part you need.

Feel free to visit us today at our online store:

LittleDiode.com

Looking forward to providing you with the best possible service.