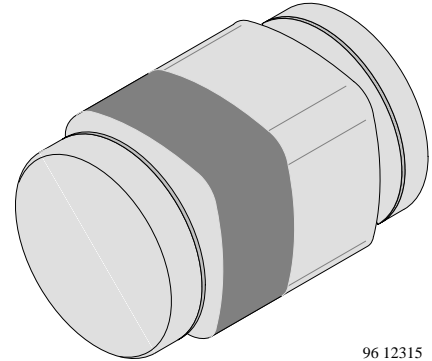


Switching Diode

Features

- Silicon Planar Diodes
- Saving space
- Hermetic sealed parts
- Fits onto SOD 323 / SOT 23 footprints
- Electrical data identical with the devices BAQ333...BAQ335 / BAQ133...BAQ135
- Very low reverse current



96 12315

Applications

Protection circuits, time delay circuits,
 peak follower circuits, logarithmic amplifiers

Order Instruction

| Type | Type Differentiation | Ordering Code | Remarks |
|--------|--------------------------|---------------|---------------|
| BAQ333 | $V_{RRM} = 40\text{ V}$ | BAQ333-TR | Tape and Reel |
| BAQ334 | $V_{RRM} = 70\text{ V}$ | BAQ334-TR | Tape and Reel |
| BAQ335 | $V_{RRM} = 140\text{ V}$ | BAQ335-TR | Tape and Reel |

Absolute Maximum Ratings

$T_j = 25^\circ\text{C}$

| Parameter | Test Conditions | Type | Symbol | Value | Unit |
|----------------------------|----------------------|--------|-----------|------------|------------------|
| Reverse voltage | | BAQ333 | V_R | 30 | V |
| | | BAQ334 | V_R | 60 | V |
| | | BAQ335 | V_R | 125 | V |
| Peak forward surge current | $t_p = 1\mu\text{s}$ | | I_{FSM} | 2 | A |
| Forward current | | | I_F | 200 | mA |
| Junction temperature | | | T_j | 200 | $^\circ\text{C}$ |
| Storage temperature range | | | T_{stg} | -65...+200 | $^\circ\text{C}$ |

Maximum Thermal Resistance

$T_j = 25^\circ\text{C}$

| Parameter | Test Conditions | Symbol | Value | Unit |
|------------------|---|------------|-------|------|
| Junction ambient | mounted on epoxy-glass hard tissue, Fig. 1 | R_{thJA} | 500 | K/W |
| | 35 μm copper clad, 0.9 mm ² copper area per electrode | R_{thJA} | 500 | K/W |

Electrical Characteristics

$T_j = 25^\circ\text{C}$

| Parameter | Test Conditions | Type | Symbol | Min | Typ | Max | Unit |
|-------------------|---|--------|------------|-----|-----|-----|---------------|
| Forward voltage | $I_F=100\text{mA}$ | | V_F | | | 1 | V |
| Reverse current | $E \leq 300\text{lX}, V_R$ | | I_R | | 1 | 3 | nA |
| | $E \leq 300\text{lX}, V_R, T_j=125^\circ\text{C}$ | | I_R | | | 0.5 | μA |
| | $E \leq 300\text{lX}, V_R=15\text{V}$ | BAQ333 | I_R | | 0.5 | 1 | nA |
| | $E \leq 300\text{lX}, V_R=30\text{V}$ | BAQ334 | I_R | | 0.5 | 1 | nA |
| | $E \leq 300\text{lX}, V_R=60\text{V}$ | BAQ335 | I_R | | 0.5 | 1 | nA |
| Breakdown voltage | $I_R=5\mu\text{A}, t_p/T=0.01, t_p=0.3\text{ms}$ | BAQ333 | $V_{(BR)}$ | 40 | | | V |
| | | BAQ334 | $V_{(BR)}$ | 70 | | | V |
| | | BAQ335 | $V_{(BR)}$ | 140 | | | V |
| Diode capacitance | $V_R=0, f=1\text{MHz}$ | | C_D | | | 3 | pF |

Characteristics ($T_j = 25^\circ\text{C}$ unless otherwise specified)

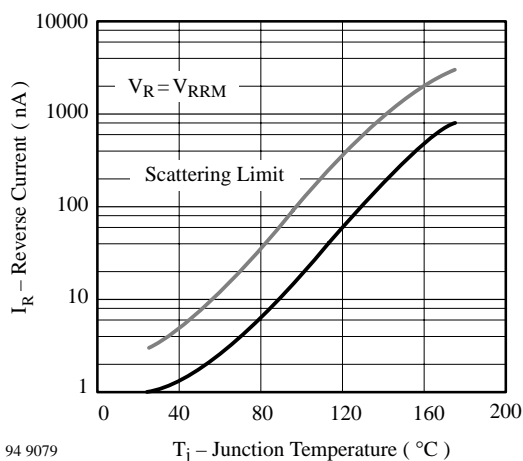


Figure 1. Reverse Current vs. Junction Temperature

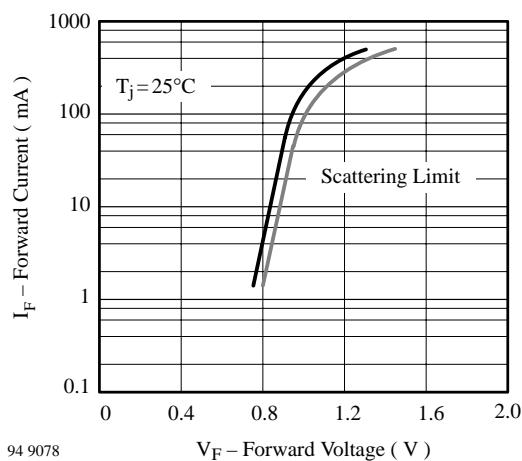


Figure 2. Forward Current vs. Forward Voltage

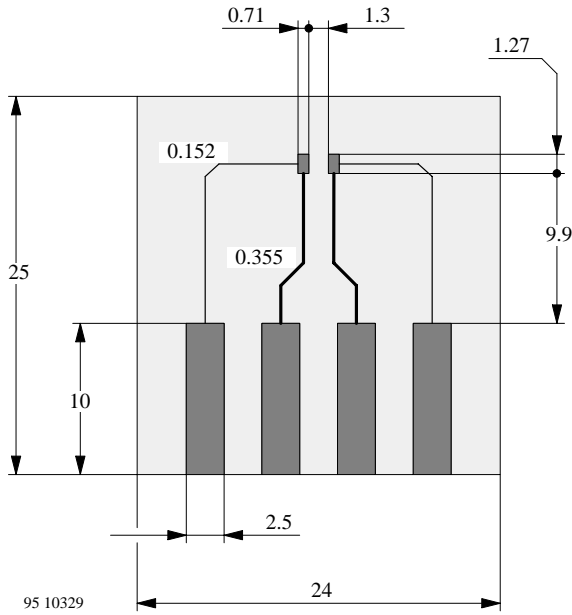


Figure 3. Board for R_{thJA} definition (in mm)

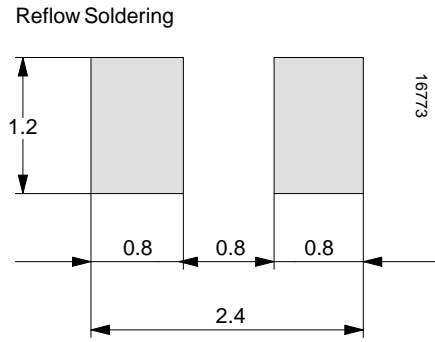


Figure 4.

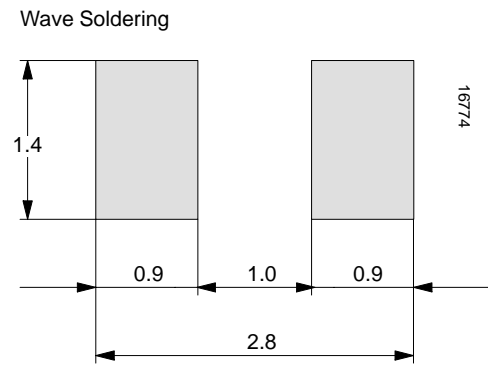
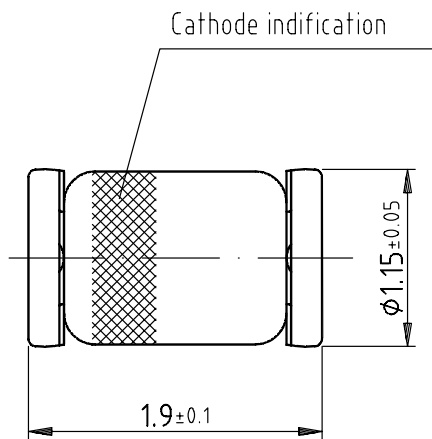
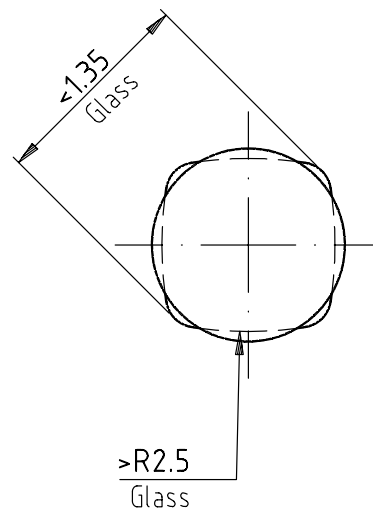


Figure 5.

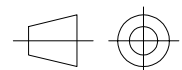
Dimensions in mm



Glass case
Micro MELF



Drawing-No: 6.560-5007.01-4
Issue: 5; 06.06.01



technical drawings
according to DIN
specifications

96 12072



Ozone Depleting Substances Policy Statement

It is the policy of **Vishay Semiconductor GmbH** to

1. Meet all present and future national and international statutory requirements.
2. Regularly and continuously improve the performance of our products, processes, distribution and operating systems with respect to their impact on the health and safety of our employees and the public, as well as their impact on the environment.

It is particular concern to control or eliminate releases of those substances into the atmosphere which are known as ozone depleting substances (ODSs).

The Montreal Protocol (1987) and its London Amendments (1990) intend to severely restrict the use of ODSs and forbid their use within the next ten years. Various national and international initiatives are pressing for an earlier ban on these substances.

Vishay Semiconductor GmbH has been able to use its policy of continuous improvements to eliminate the use of ODSs listed in the following documents.

1. Annex A, B and list of transitional substances of the Montreal Protocol and the London Amendments respectively
2. Class I and II ozone depleting substances in the Clean Air Act Amendments of 1990 by the Environmental Protection Agency (EPA) in the USA
3. Council Decision 88/540/EEC and 91/690/EEC Annex A, B and C (transitional substances) respectively.

Vishay Semiconductor GmbH can certify that our semiconductors are not manufactured with ozone depleting substances and do not contain such substances.

We reserve the right to make changes to improve technical design and may do so without further notice.

Parameters can vary in different applications. All operating parameters must be validated for each customer application by the customer. Should the buyer use Vishay-Semiconductors products for any unintended or unauthorized application, the buyer shall indemnify Vishay-Semiconductors against all claims, costs, damages, and expenses, arising out of, directly or indirectly, any claim of personal damage, injury or death associated with such unintended or unauthorized use.

Vishay Semiconductor GmbH, P.O.B. 3535, D-74025 Heilbronn, Germany
Telephone: 49 (0)7131 67 2831, Fax number: 49 (0)7131 67 2423



LittleDiode supplies new, hard to find or obsolete electronic components and semiconductors all over the world.

With over two million different components listed you are sure to find the part you need.

Feel free to visit us today at our online store:

LittleDiode.com

Looking forward to providing you with the best possible service.