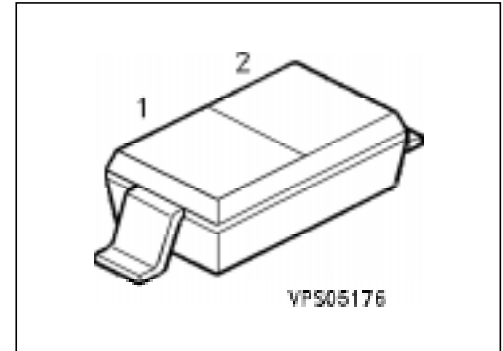


Silicon Variable Capacitance Diode

BB 515

- For UHF and VHF TV/VTR tuners
- Large capacitance ratio
- Low series resistance



Type	Ordering Code (tape and reel)	Pin Configuration		Marking	Package
		1	2		
BB 515	Q62702-B607	C	A	white S	SOD-123

Maximum Ratings

Parameter	Symbol	Values	Unit
Reverse voltage	V_R	30	V
Reverse voltage ($R \geq 5 \text{ k}\Omega$)	V_{RM}	35	
Forward current, $T_A \leq 60 \text{ }^\circ\text{C}$	I_F	20	mA
Operating temperature range	T_{op}	- 55 ... + 150	$^\circ\text{C}$
Storage temperature range	T_{stg}	- 55 ... + 150	

Thermal Resistance

Junction - ambient	$R_{th \text{ JA}}$	≤ 450	K/W
--------------------	---------------------	------------	-----

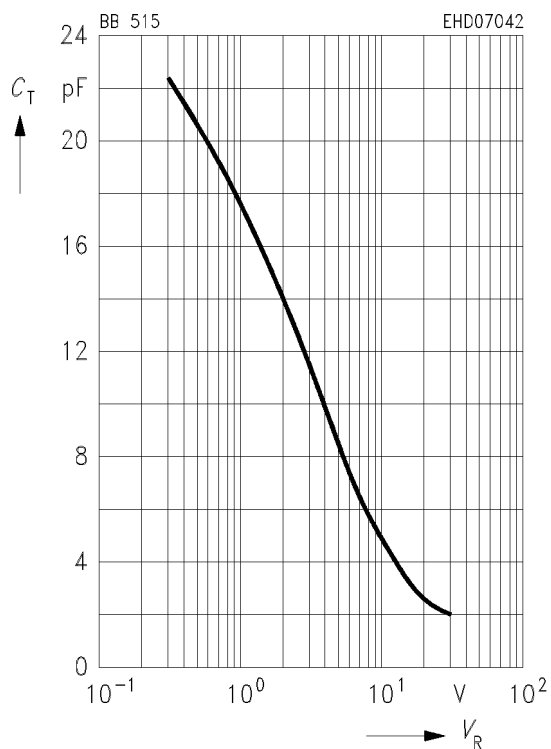
Electrical Characteristics

at $T_A = 25\text{ °C}$, unless otherwise specified.

Parameter	Symbol	Values			Unit
		min.	typ.	max.	
Reverse current $V_R = 30\text{ V}$ $V_R = 30\text{ V}, T_A = 85\text{ °C}$	I_R	– –	– –	10 200	nA
Diode capacitance, $f = 1\text{ MHz}$ $V_R = 1\text{ V}$ $V_R = 28\text{ V}$	C_T	17.5 1.9	18.7 2.1	20 2.3	pF
Capacitance ratio $V_R = 1\text{ V}, 28\text{ V}; f = 1\text{ MHz}$	$\frac{C_{T1}}{C_{T28}}$	8.2	8.9	9.8	–
Capacitance matching $V_R = 1\text{ V} \dots 28\text{ V}; f = 1\text{ MHz}$	$\frac{\Delta C_T}{C_T}$	–	–	2.5	%
Series resistance $C_T = 9\text{ pF}, f = 470\text{ MHz}$	r_s	–	0.5	–	Ω
Series inductance	L_s	–	2	–	nH

Diode capacitance $C_T = f(V_R)$

$f = 1\text{ MHz}$





LittleDiode supplies new, hard to find or obsolete electronic components and semiconductors all over the world.

With over two million different components listed you are sure to find the part you need.

Feel free to visit us today at our online store:

LittleDiode.com

Looking forward to providing you with the best possible service.