



BF 885 S

T-33-05

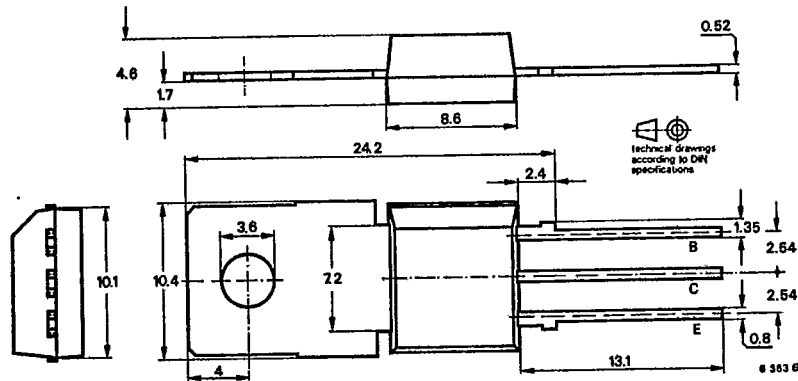
Silicon NPN Epitaxial Planar RF Transistor

Applications: Video B-class power stages in TV receivers

Features:

- High reverse voltage
- No h_{FE} -drift dependent of temperature

Dimensions in mm



Standard plastic case
34 A 3 DIN 41 869
JEDEC TO 202
Weight max. 1.8 g

Collector connected with metallic surface

Absolute maximum ratings

Collector-base voltage	V_{CBO}	300	V
Collector-emitter voltage	V_{CER}	300	V
$R_{BE} \leq 2.7 \text{ k}\Omega$			
Emitter-base voltage	V_{EBO}	5	V
Collector current	I_C	50	mA
Collector peak current	I_{CM}	300	mA
Total power dissipation	P_{tot}	7	W
$T_{case} \leq 25 \text{ }^\circ\text{C}$			
Junction temperature	T_J	150	$^\circ\text{C}$
Storage temperature range	T_{stg}	-65 ... +150	$^\circ\text{C}$

Maximum thermal resistances

Junction ambient	R_{thJA}	78	K/W
Junction case	R_{thJC}	17.8	K/W

T1.2/821.0888 E

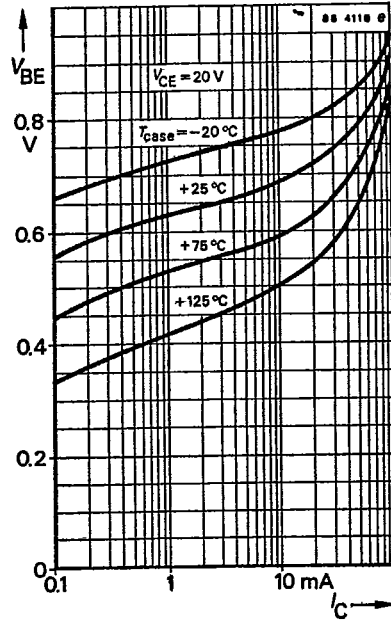
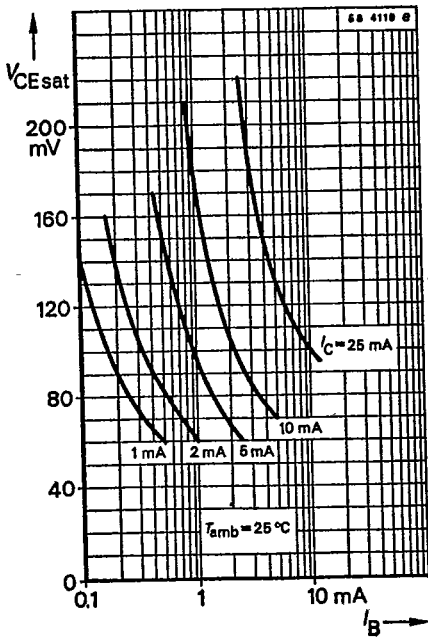
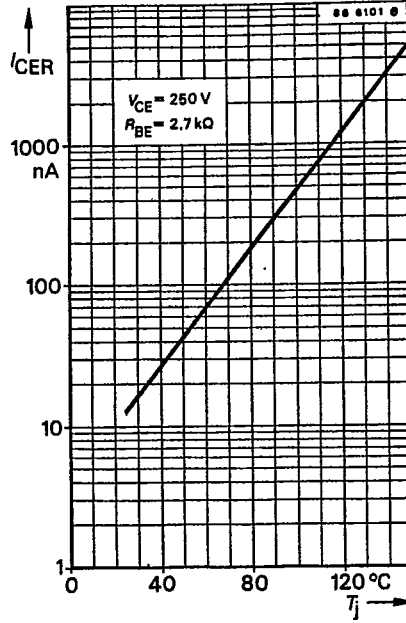
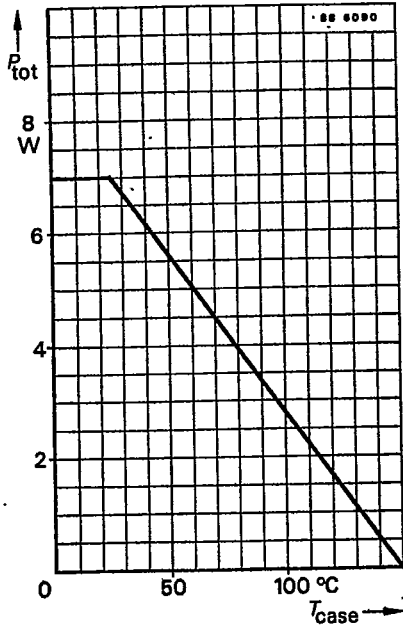
BF 885 S

T-33-05

Characteristics		Min.	Typ.	Max.
$T_{amb} = 25^\circ\text{C}$, unless otherwise specified				
Collector cut-off current				
$V_{CE} = 250\text{ V}$, $R_{BE} = 2.7\text{ k}\Omega$	I_{CER}			50 nA
$V_{CE} = 200\text{ V}$, $R_{BE} = 2.7\text{ k}\Omega$, $T_j = 150^\circ\text{C}$	I_{CER}			10 μA
Emitter cut-off current				
$V_{EB} = 5\text{ V}$	I_{EBO}			10 μA
Collector-emitter breakdown voltage				
$I_C = 1\text{ }\mu\text{A}$, $R_{BE} = 2.7\text{ k}\Omega$	$V_{(BR)CER}$	300		V
DC forward current transfer ratio				
$V_{CE} = 20\text{ V}$, $I_C = 25\text{ mA}$	h_{FE}	50		
Gain bandwidth product				
$V_{CE} = 10\text{ V}$, $I_C = 10\text{ mA}$	f_T	60	90	MHz
Feedback capacitance				
$V_{CE} = 30\text{ V}$, $I_C = 1\text{ mA}$, $f = 1\text{ MHz}$	$C_{12\phi}$		1.2	1.8 pF
Collector saturation RF voltage				
$I_C = 25\text{ mA}$, $T_j = 150^\circ\text{C}$	$V_{CEsatHF}$		20	V

BF 885 S

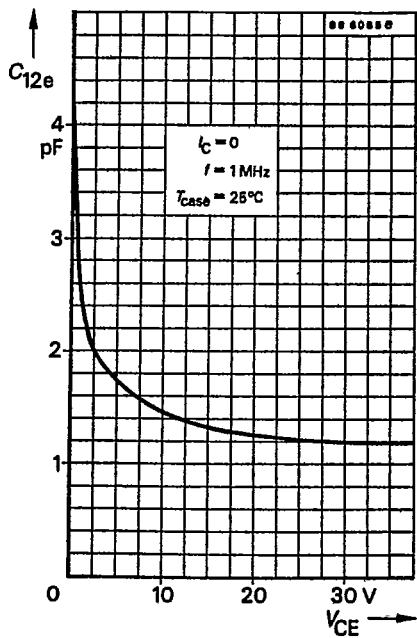
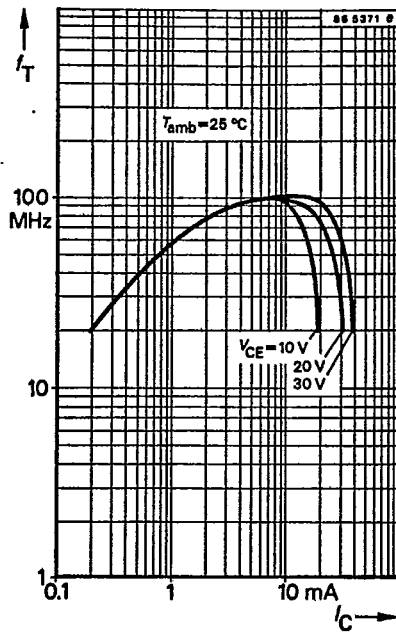
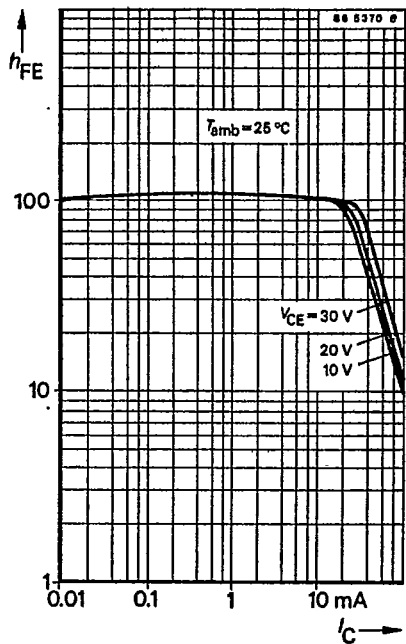
T-33-05



2578

B-11

57



This datasheet has been downloaded from:

www.DatasheetCatalog.com

Datasheets for electronic components.



LittleDiode supplies new, hard to find or obsolete electronic components and semiconductors all over the world.

With over two million different components listed you are sure to find the part you need.

Feel free to visit us today at our online store:

LittleDiode.com

Looking forward to providing you with the best possible service.