

DC / DC converter

BP5220 / BP5221 / BP5222 / BP5220X / BP5221X / BP5222X

The BP5220, BP5221, BP5222, BP5220X, BP5221X, and BP5222X are DC / DC converters that use a pulse width modulation (PWM) system. They contain control circuits, switching devices, rectifiers, and coils, and operate by only connecting an I / O smoothing capacitor. With a high efficiency of power conversion, the modules are available in stand-alone 9-pin SIP packages with no heat sink required. They can be applied to various purposes by fine-adjusting the output voltage and switching on and off. With a wide range of input voltage, the modules are best suited for obtaining a stable local power supply from a main power supply with a large voltage variation.

● Applications

Power supplies for copiers, personal computers, facsimiles, AV equipment, measuring instruments, vending machines, security device, registers, industrial equipment, and maintenance tools

● Features

- 1) Wide range of input voltage.
- 2) High power conversion efficiency.
- 3) Built-in output ON / OFF switch.
- 4) Applicable to various purposes by fine-adjusting the output voltage.
- 5) Small number of external components required.
- 6) Heat sink unnecessary.
- 7) Compact package.
BP5220 / BP5221 / BP5222 : SIP9
BP5220X / BP5221X / BP5222X : SIP9(L-shaped lead type)

● List of the series

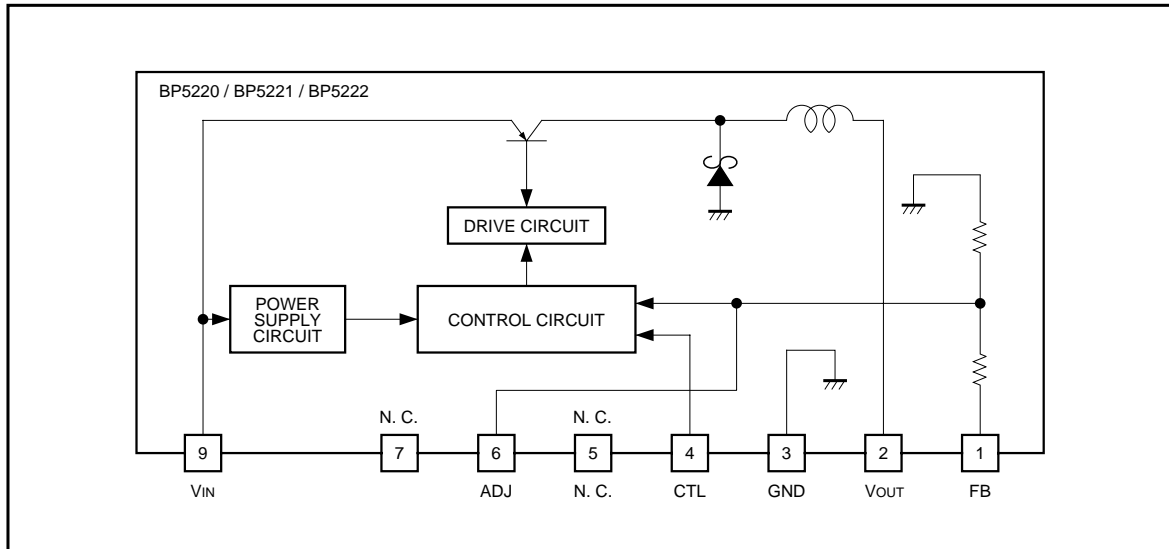
	BP5220 / BP5220X	BP5221 / BP5221X	BP5222 / BP5222X	Unit
Input voltage	8~38	8~38	15~38	V
Output voltage	5	5	12	V
Output current	1	0.5	0.5	A
Power conversion efficiency	85 ($V_{IN}=15V$)	84 ($V_{IN}=15V$)	90 ($V_{IN}=20V$)	%

● Absolute maximum ratings ($T_a=25^{\circ}C$)

Parameter	Symbol	Limits			Unit
		BP5220 / BP5220X	BP5221 / BP5221X	BP5222 / BP5222X	
Input voltage	V_{IN}	8~38	8~38	15~38	V
Output current	I_o	1	0.5	0.5	A
Operating temperature range	T_{opr}	-20~+70			$^{\circ}C$
Storage temperature range	T_{stg}	-25~+80			$^{\circ}C$

BP5220 / BP5221 / BP5222 / BP5220X / BP5221X / BP5222X

● Block diagram



● Electrical characteristics BP5220 / BP5220X (Unless otherwise noted: V_{IN}=15V, I_O=0.5A, SW=1, T_a=25°C)

Parameter	Symbol	Min.	Typ.	Max.	Unit	Conditions
Input voltage	V _{IN}	8	–	38	V	
Output voltage	V _O	4.75	5	5.25	V	
Output current	I _O	–	–	1	A	V _{IN} < 30V *1
Line regulation	ΔV _{O1}	–	35	80	mV	V _{IN} =8V~38V
Load regulation	ΔV _{O2}	–	20	80	mV	I _O =0.1A~1A
Output ripple voltage	V _r	–	30	70	mV _{PP}	*2
Power conversion efficiency	η	75	85	–	%	I _O =1A
Switching frequency	f _{SW}	–	190	–	kHz	
CTL pin ON resistance	R _{ON}	–	–	4.7	kΩ	V _O > 4.75V
CTL pin OFF resistance	R _{OFF}	200	–	–	kΩ	V _O < 0.1V, SW=2 select

*1 Derating required according to the input voltage and ambient temperature.

*2 Pulse noise not included.

BP5221 / BP5221X (Unless otherwise noted: V_{IN}=15V, I_O=0.25A, SW=1, T_a=25°C)

Parameter	Symbol	Min.	Typ.	Max.	Unit	Conditions
Input voltage	V _{IN}	8	–	38	V	
Output voltage	V _O	4.75	5	5.25	V	
Output current	I _O	–	–	0.5	A	*1
Line regulation	ΔV _{O1}	–	35	80	mV	V _{IN} =8V~38V
Load regulation	ΔV _{O2}	–	20	80	mV	I _O =0.05A~0.5A
Output ripple voltage	V _r	–	30	70	mV _{PP}	*2
Power conversion efficiency	η	70	84	–	%	I _O =0.5A
Switching frequency	f _{SW}	–	190	–	kHz	
CTL pin ON resistance	R _{ON}	–	–	4.7	kΩ	V _O > 4.75V
CTL pin OFF resistance	R _{OFF}	200	–	–	kΩ	V _O < 0.1V, SW=2 select

*1 Derating required according to the input voltage and ambient temperature.

*2 Pulse noise not included.

BP5220 / BP5221 / BP5222 / BP5220X / BP5221X / BP5222X

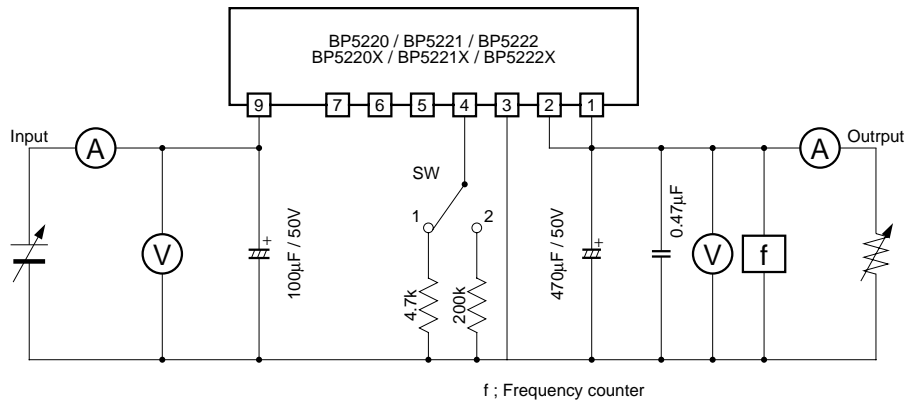
BP5222 / BP5222X (Unless otherwise noted ; $V_{IN}=20V$, $I_O=0.25A$, $SW=1$, $T_a=25^\circ C$)

Parameter	Symbol	Min.	Typ.	Max.	Unit	Conditions
Input voltage	V_{IN}	15	–	38	V	
Output voltage	V_O	11.2	12	12.8	V	
Output current	I_O	–	–	0.5	A	*1
Line regulation	ΔV_{O1}	–	22	80	mV	$V_{IN}=15V\sim 38V$
Load regulation	ΔV_{O2}	–	45	80	mV	$I_O=0.05A\sim 0.5A$
Output ripple voltage	v_r	–	35	70	mV _{PP}	*2
Power conversion efficiency	η	75	90	–	%	$I_O=0.5A$
Switching frequency	f_{SW}	–	190	–	kHz	*2
CTL pin ON resistance	R_{ON}	–	–	4.7	k Ω	$V_O > 11.2V$
CTL pin OFF resistance	R_{OFF}	200	–	–	k Ω	$V_O < 0.1V$, $SW=2$ select

*1 Derating required according to the input voltage and ambient temperature.

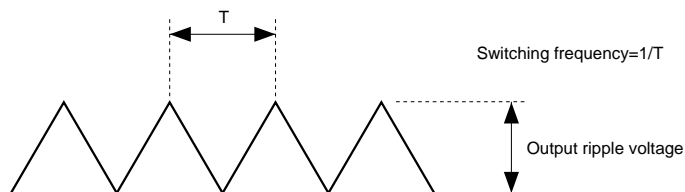
*2 Pulse noise not included.

● Measurement circuit



100µF/50V, 470µF/50V ; PL series / NICHIKON(Low-impedance type)

Fig.1



Note that output ripple voltage depends on the type and characteristics of the output capacitor.

BP5220 / BP5221 / BP5222 / BP5220X / BP5221X / BP5222X

● Circuit operation

- (1) The basic application examples are shown in Fig.2.
The externally installed parts are only the input and output smoothing capacitors.
- (2) Switching on and off the output voltage is allowed.
The output can be switched off by making pin 4 to be open (high impedance). (See Fig.3)
- (3) Fine adjustment of the output voltage is allowed.
The fine adjustment of output voltage can be performed from pin 6 via the resistor by connecting the output terminal (pin 2) or GND. (See application example3)

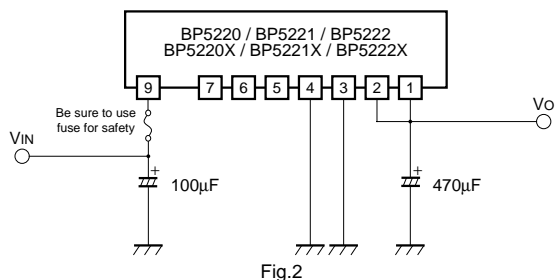


Fig.2

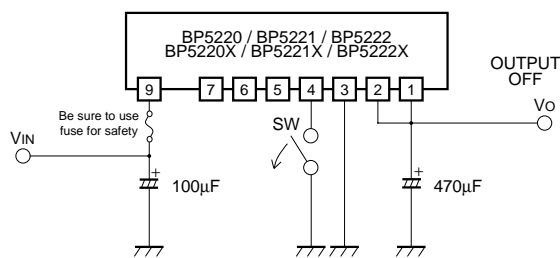


Fig.3

● Application example

Application example 1 : DC / DC converter with a protection circuit

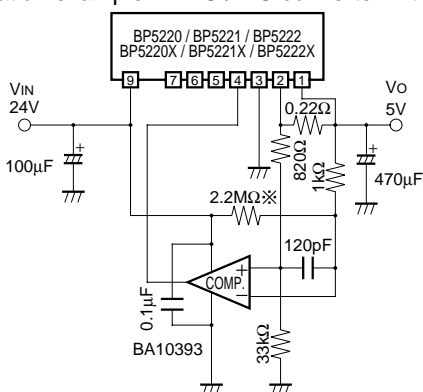


Fig.4

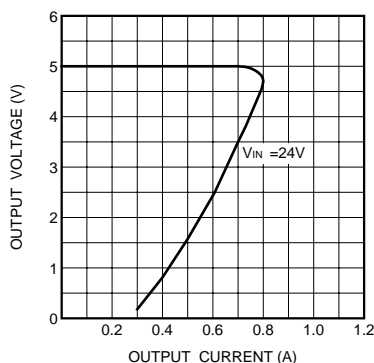


Fig.5

※ A resistor to secure the rise of output at power on. The resistance to be selected depends on the input voltage.
This is a standard application. Because the control current fluctuates with variations in circuits and components, set the control current by adding a sufficient margin to the normal current level.

Application example 2 : Output ON / OFF control

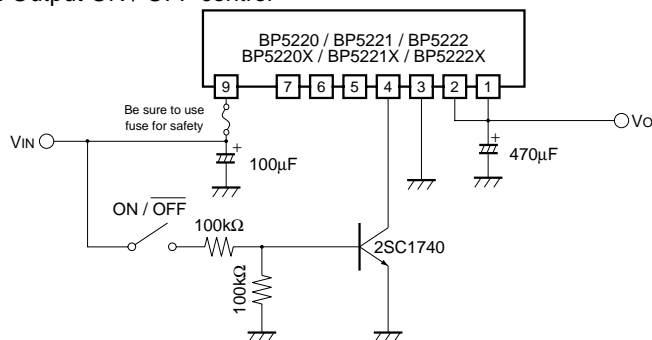


Fig.6

BP5220 / BP5221 / BP5222 / BP5220X / BP5221X / BP5222X

Application example 3 : Output voltage fine adjustment

(1) When reducing the output voltage

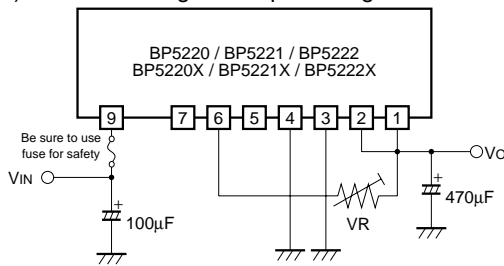


Fig.7

(2) When increasing the output voltage

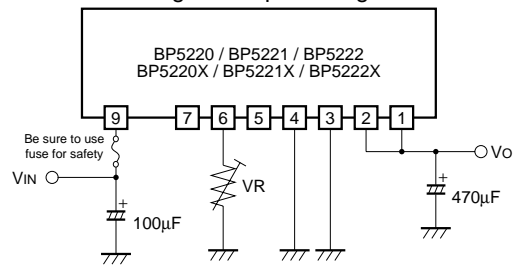


Fig.8

VR value setting equations(The output voltage after adjustment is denoted Vo.)

(1) When reducing the output voltage

$$\text{BP5220 / BP5221, BP5220X / BP5221X} \quad R = (V_o - 1.281) / (0.0278 - 0.00556V_o) \text{ (k}\Omega\text{)}$$

$$\text{BP5222, BP5222X} \quad R = (V_o - 1.281) / (0.1196 - 0.01V_o) \text{ (k}\Omega\text{)}$$

(2) When increasing the output voltage

$$\text{BP5220 / BP5221, BP5220X / BP5221X} \quad R = 11160 / (48.4V_o - 242) \text{ (k}\Omega\text{)}$$

$$\text{BP5222, BP5222X} \quad R = 1200 / (9.368V_o - 112) \text{ (k}\Omega\text{)}$$

To make full use of the ability of the the module products, we recommended the output voltage be adjusted within $\pm 20\%$ of the output voltage rating. When the output voltage is increased by 20%, for instance, the minimum input voltage is also increased by 20%.

(Example : When the output voltage is changed from 5V to 6V in the BP5220, the minimum input voltage is changed from 8V to 9.6V)

Application example 4 : Slow start

The slow start circuit mitigates the pulse load on the internal switching transistor when input voltage is applied, and rises the output voltage gradually by starting the switching operation slowly.

This application is useful for preventing the malfunction of an external protection circuit due to a rush current, and can serve as a countermeasure against the operation outside the safe operation range.

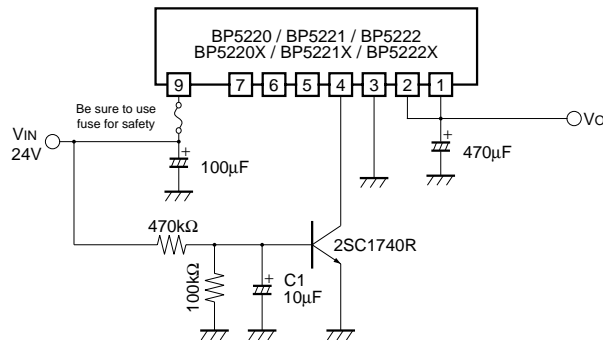


Fig.9

C1 is a slow-start capacitor for mitigating the over rush current that flows into the modules when the switch is turned on.

● Operation notes

- (1) The output current should be reduced according to an increase in the input voltage or ambient temperature. Use the modules within the derating curve range.
- (2) Pins 5 and 7 are no connected.
- (3) No circuit is installed in the modules to protect against over output currents. Take physical safety measures such as fusing if short-circuit loading is probable.
- (4) A large rush current may flow in the module when the input voltage is applied or the output ON / OFF is controlled with pin 4 without a capacitor such as C1 in application 4. Operating within the safe operation ranges shown in Figs.12, 15, and 18.
The safe operation range is determined by the safe operation range of the internal switching transistor. The amount of rush current depends on the output impedance of the input power supply and capacitors connected to the module outputs. The pulse load on the internal switching transistor at the start of operation can be reduced by using the protection circuit of application 1 or the slow start circuit of application 4.

● Electrical characteristic curves

BP5220, BP5220X

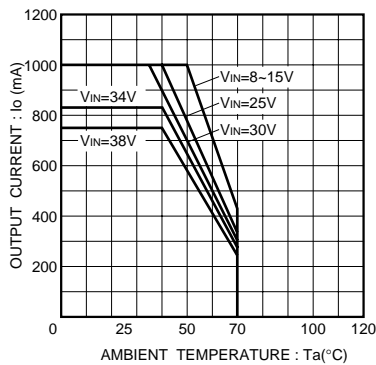


Fig.10 Derating curve

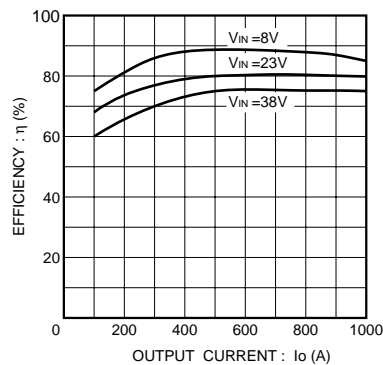


Fig.11 Efficiency

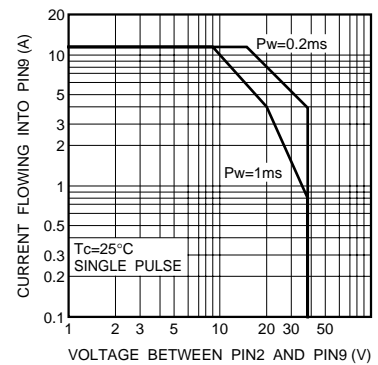


Fig.12 Safety operation range

BP5221, BP5221X

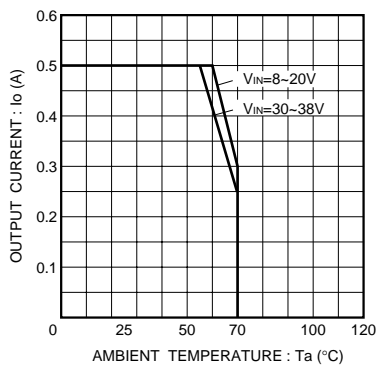


Fig.13 Derating curve

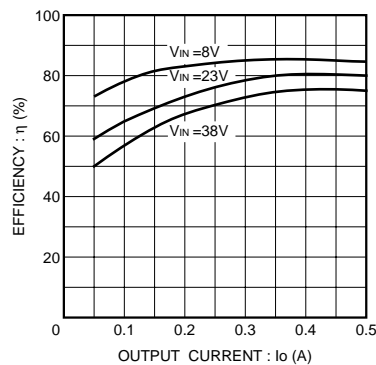


Fig.14 Efficiency

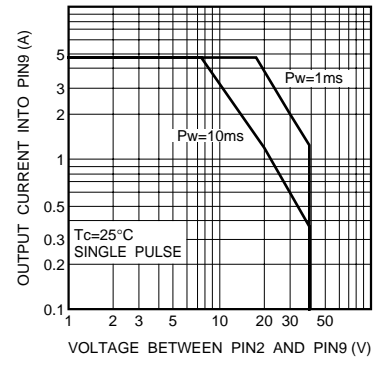


Fig.15 Safety operation range

BP5220 / BP5221 / BP5222 / BP5220X / BP5221X / BP5222X

BP5222, BP5222X

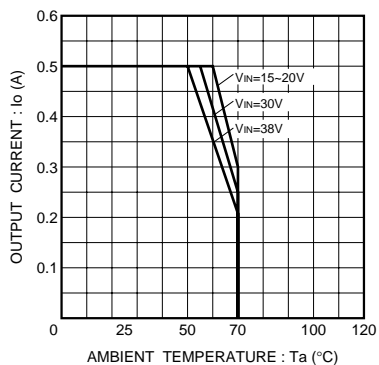


Fig.16 Derating curve

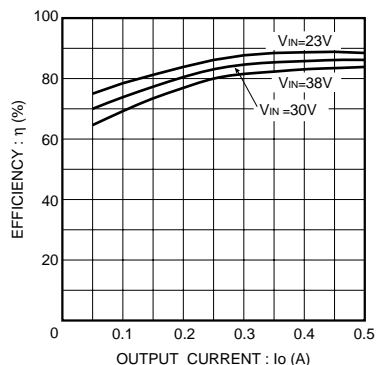


Fig.17 Efficiency

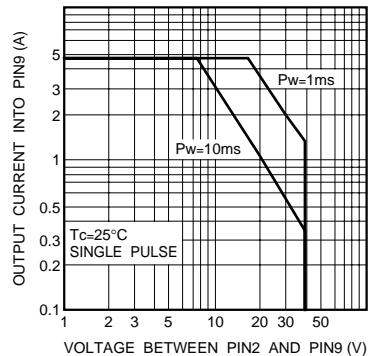


Fig.18 Safety operation range

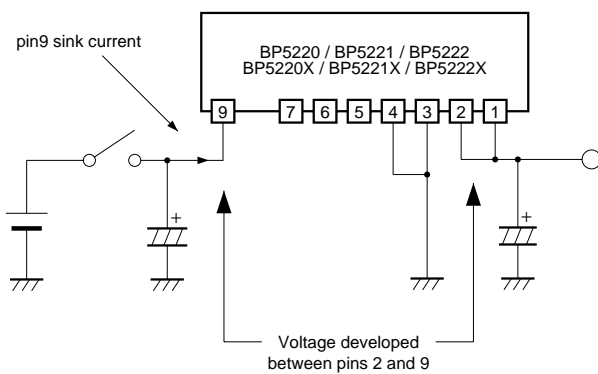
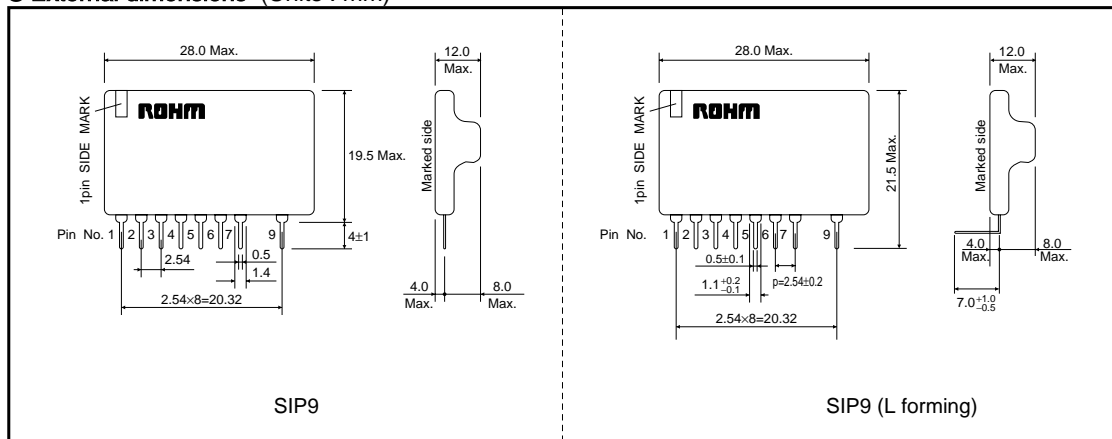


Fig.19 ASO measurement circuit

● External dimensions (Units : mm)



Precautions on Use of ROHM Power Module

Safety Precautions

- 1) The products are designed and produced for application in ordinary electronic equipment (AV equipment, OA equipment, telecommunication equipment, home appliances, amusement equipment etc.).
If the products are to be used in devices requiring extremely high reliability (medical equipment, transport equipment, aircraft/spacecraft, nuclear power controllers, fuel controllers, car equipment including car accessories, safety devices, etc.) and whose malfunction or operational error may endanger human life and sufficient fail-safe measures, please consult with the Company's sales staff in advance. If product malfunctions may result in serious damage, including that to human life, sufficient fail-safe measures must be taken, including the following:
 - [a] Installation of protection circuits or other protective devices to improve system safety
 - [b] Installation of redundant circuits in the case of single-circuit failure
- 2) The products are designed for use in a standard environment and not in any special environments. Application of the products in a special environment can deteriorate product performance. Accordingly, verification and confirmation of product performance, prior to use, is recommended if used under the following conditions:
 - [a] Use in various types of liquid, including water, oils, chemicals, and organic solvents
 - [b] Use outdoors where the products are exposed to direct sunlight, or in dusty places
 - [c] Use in places where the products are exposed to sea winds or corrosive gases, including Cl₂, H₂S, NH₃, SO₂, and NO₂
 - [d] Use in places where the products are exposed to static electricity or electromagnetic waves
 - [e] Use in proximity to heat-producing components, plastic cords, or other flammable items
 - [f] Use involving sealing or coating the products with resin or other coating materials
 - [g] Use involving unclean solder or use of water or water-soluble cleaning agents for cleaning after soldering
 - [h] Use of the products in places subject to dew condensation
- 3) The products are not radiation resistant.
- 4) The Company is not responsible for any problems resulting from use of the products under conditions not recommended herein.
- 5) The Company should be notified of any product safety issues. Moreover, product safety issues should be periodically monitored by the customer.

Precautions Regarding Application Example and External Circuits

- 1) If change is made to the constant of an external circuit, allow a sufficient margin due to variations of the characteristics of the products and external components, including transient characteristics, as well as static characteristics. Please be informed that the Company has not conducted investigations on whether or not particular changes in the application examples or external circuits would result in the infringement of patent rights of a third party.
- 2) The application examples, their constants, and other types of information contained herein are applicable only when the products are used in accordance with standard methods.
Therefore, if mass production is intended, sufficient consideration to external conditions must be made.

Prohibitions Regarding Industrial Property

- 1) These Specifications contain information related to the Company's industrial property. Any use of them other than pertaining to the usage of appropriate products is not permitted. Duplication of these Specifications and its disclosure to a third party without the Company's permission is prohibited.
- 2) Information and data on products, including application examples, contained in these specifications are simply for reference; the Company does not guarantee any industrial property rights, intellectual property rights, or any other rights of a third party regarding this information or data. Accordingly, the Company does not bear any responsibility for:
 - [a] infringement of the intellectual property rights of a third party
 - [b] any problems incurred by the use of the products listed herein.
- 3) The Company prohibits the purchaser of its products to exercise or use the intellectual property rights, industrial property rights, or any other rights that either belong to or are controlled by the Company, other than the right to use, sell, or dispose of the products.



LittleDiode supplies new, hard to find or obsolete electronic components and semiconductors all over the world.

With over two million different components listed you are sure to find the part you need.

Feel free to visit us today at our online store:

LittleDiode.com

Looking forward to providing you with the best possible service.