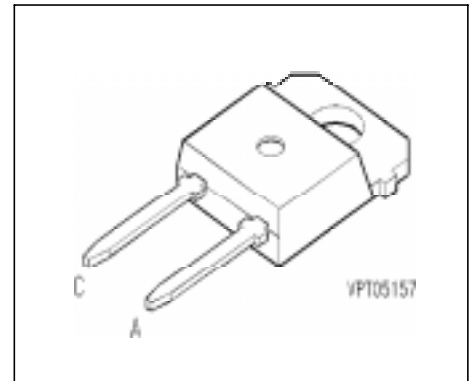


### FRED Diode

- Fast recovery epitaxial diode
- Soft recovery characteristics



Type	$V_{RRM}$	$I_{FRMS}$	$t_{rr}$	Package	Ordering Code
BYP 102	1000V	50A	130ns	TO-218 AD	C67047-A2071-A2

### Maximum Ratings

Parameter	Symbol	Values	Unit
Mean forward current $T_C = 90\text{ °C}, D = 0.5$	$I_{FAV}$	28	A
RMS forward current	$I_{FRMS}$	50	
Surge forward current, sine halfwave, aperiodic $T_j = 100\text{ °C}, f = 50\text{ Hz}$	$I_{FSM}$	125	
Repetitive peak forward current $T_j = 100\text{ °C}, t_p \leq 10\text{ }\mu\text{s}$	$I_{FRM}$	280	A <sup>2</sup> s
$i^2t$ value $T_j = 100\text{ °C}, t_p = 10\text{ ms}$	$\int I^2 dt$	78	
Repetitive peak reverse voltage	$V_{RRM}$	1000	V
Surge peak reverse voltage	$V_{RSM}$	1000	
Power dissipation $T_C = 90\text{ °C}$	$P_{tot}$	75	W
Chip or operating temperature	$T_j$	-40 ... + 150	°C
Storage temperature	$T_{stg}$	-40 ... + 150	
Thermal resistance, chip case	$R_{thJC}$	$\leq 0.8$	K/W
Thermal resistance, chip-ambient	$R_{thJA}$	$\leq 46$	
DIN humidity category, DIN 40 040	-	E	-
IEC climatic category, DIN IEC 68-1	-	40 / 150 / 56	-

## Electrical Characteristics, at $T_j = 25\text{ °C}$ , unless otherwise specified

Parameter	Symbol	Values			Unit
		min.	typ.	max.	

### Static Characteristics

Forward voltage drop	$V_F$				V
$I_F = 20\text{ A}, T_j = 25\text{ °C}$		-	1.65	-	
$I_F = 30\text{ A}, T_j = 25\text{ °C}$		-	1.9	2.35	
$I_F = 20\text{ A}, T_j = 100\text{ °C}$		-	1.5	-	
$I_F = 30\text{ A}, T_j = 100\text{ °C}$		-	1.7	-	
Reverse current	$I_R$				mA
$V_R = 1000\text{ V}, T_j = 25\text{ °C}$		-	0.01	0.25	
$V_R = 1000\text{ V}, T_j = 100\text{ °C}$		-	0.05	-	
$V_R = 1000\text{ V}, T_j = 150\text{ °C}$		-	0.15	-	

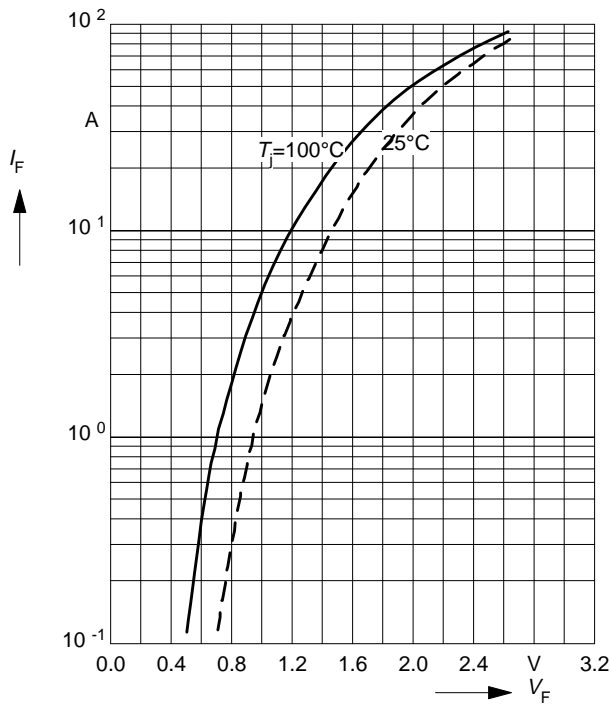
### AC Characteristics

Reverse recovery charge	$Q_{rr}$				$\mu\text{C}$
$I_F = 28\text{ A}, V_{CC} = 300\text{ V}, di_F/dt = -1000\text{ A}/\mu\text{s}$ $T_j = 100\text{ °C}$		-	4.5	-	
Peak reverse recovery current	$I_{RRM}$				A
$I_F = 28\text{ A}, V_{CC} = 300\text{ V}, di_F/dt = -1000\text{ A}/\mu\text{s}$ $T_j = 100\text{ °C}$		-	50	-	
Reverse recovery time	$t_{rr}$				ns
$I_F = 28\text{ A}, V_{CC} = 300\text{ V}, di_F/dt = -1000\text{ A}/\mu\text{s}$ $T_j = 100\text{ °C}$		-	130	-	
Storage time	$t_S$				
$I_F = 28\text{ A}, V_{CC} = 300\text{ V}, di_F/dt = -1000\text{ A}/\mu\text{s}$ $T_j = 100\text{ °C}$		-	65	-	
Softfaktor	S				-
$I_F = 28\text{ A}, V_{CC} = 300\text{ V}, di_F/dt = -1000\text{ A}/\mu\text{s}$ $T_j = 100\text{ °C}$		-	1	-	

### Typ. forward characteristics

$$I_F = f(V_F)$$

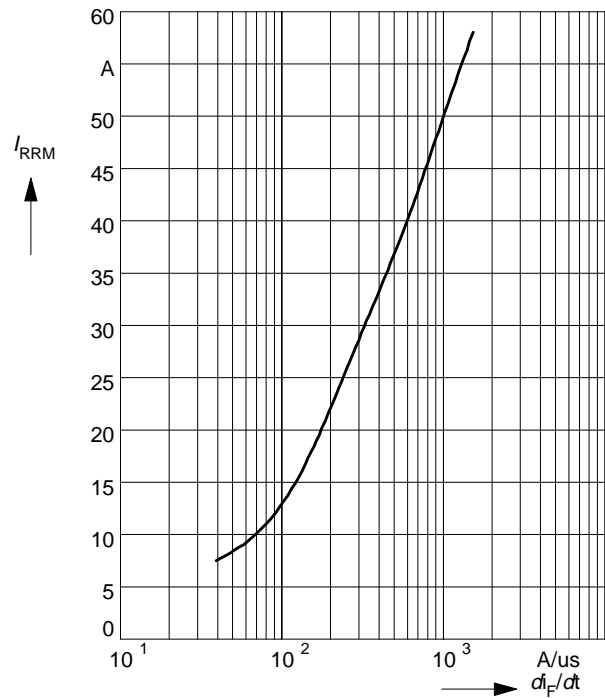
parameter:  $T_j$



### Typ. reverse current

$$I_{RRM} = f(dI_F / dt)$$

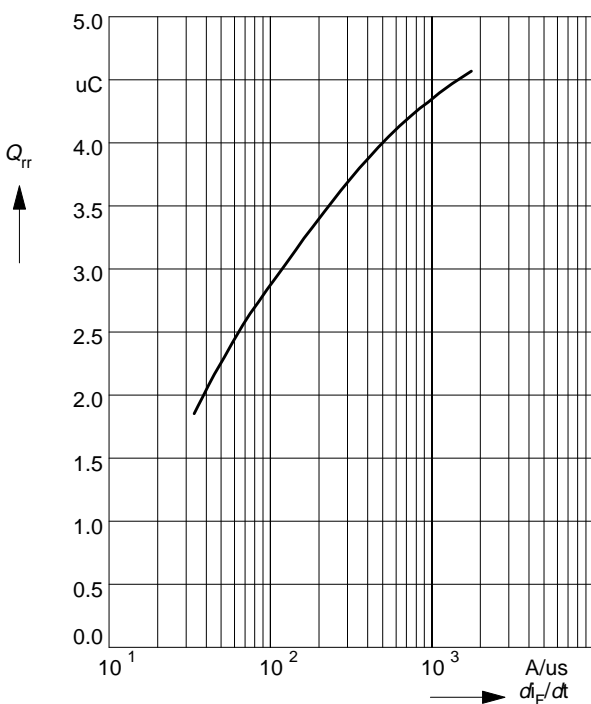
parameter:  $V_{CC} = 300\text{ V}, I_F = 30\text{ A}, T_j = 100^\circ\text{ C}$



### Typ. reverse recovery charge

$$Q_{rr} = f(dI_F / dt)$$

parameter:  $V_{CC} = 300\text{ V}, I_F = 30\text{ A}, T_j = 100^\circ\text{ C}$





LittleDiode supplies new, hard to find or obsolete electronic components and semiconductors all over the world.

With over two million different components listed you are sure to find the part you need.

Feel free to visit us today at our online store:

[LittleDiode.com](http://LittleDiode.com)

Looking forward to providing you with the best possible service.