

CD4001BM/CD4001BC Quad 2-Input NOR Buffered B Series Gate

CD4011BM/CD4011BC Quad 2-Input NAND Buffered B Series Gate

General Description

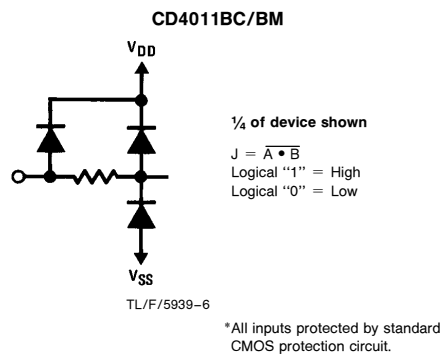
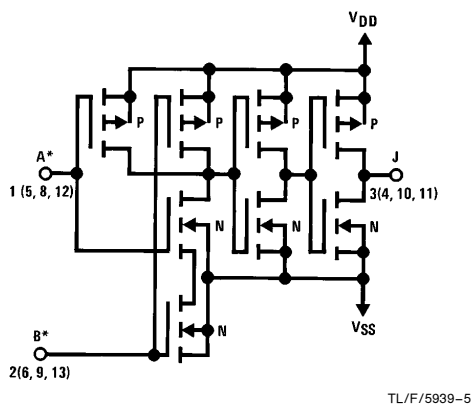
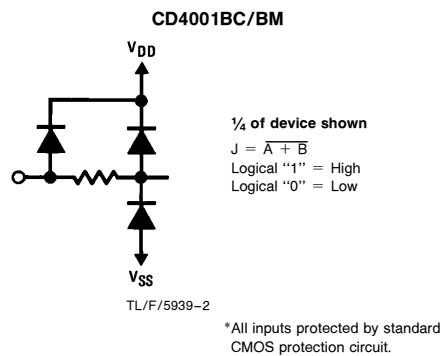
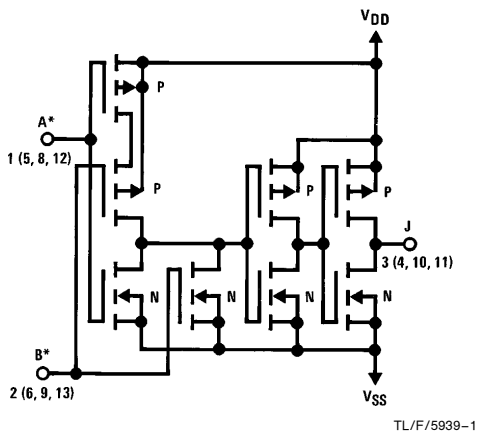
These quad gates are monolithic complementary MOS (CMOS) integrated circuits constructed with N- and P-channel enhancement mode transistors. They have equal source and sink current capabilities and conform to standard B series output drive. The devices also have buffered outputs which improve transfer characteristics by providing very high gain.

All inputs are protected against static discharge with diodes to V_{DD} and V_{SS} .

Features

- Low power TTL compatibility
 - 5V–10V–15V parametric ratings
 - Symmetrical output characteristics
 - Maximum input leakage 1 μ A at 15V over full temperature range
- Fan out of 2 driving 74L
or 1 driving 74LS

Schematic Diagrams



CD4001BM/CD4001BC Quad 2-Input NOR Buffered B Series Gate
CD4011BM/CD4011BC Quad 2-Input NAND Buffered B Series Gate

Absolute Maximum Ratings (Notes 1 and 2)

If Military/Aerospace specified devices are required, please contact the National Semiconductor Sales Office/Distributors for availability and specifications.

| | |
|-------------------------------|-------------------------------|
| Voltage at any Pin | -0.5V to $V_{DD} + 0.5V$ |
| Power Dissipation (P_D) | |
| Dual-In-Line | 700 mW |
| Small Outline | 500 mW |
| V_{DD} Range | -0.5 V_{DC} to +18 V_{DC} |
| Storage Temperature (T_S) | -65°C to +150°C |
| Lead Temperature (T_L) | |
| (Soldering, 10 seconds) | 260°C |

Operating Conditions

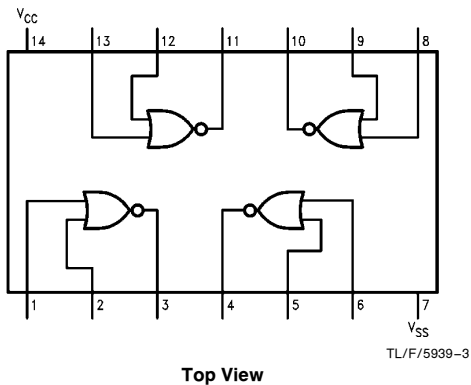
| | |
|------------------------------|---------------------------|
| Operating Range (V_{DD}) | 3 V_{DC} to 15 V_{DC} |
| Operating Temperature Range | |
| CD4001BM, CD4011BM | -55°C to +125°C |
| CD4001BC, CD4011BC | -40°C to +85°C |

DC Electrical Characteristics CD4001BM, CD4011BM (Note 2)

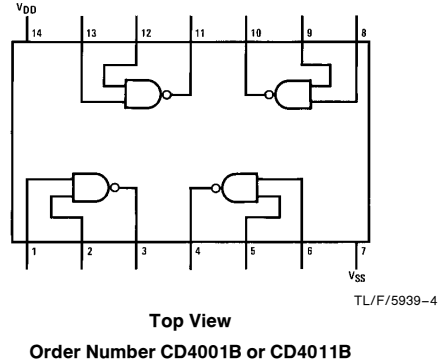
| Symbol | Parameter | Conditions | -55°C | | +25°C | | | +125°C | | Units |
|----------|------------------------------------|---|-------|-------|-------|------------|-------|--------|------|---------|
| | | | Min | Max | Min | Typ | Max | Min | Max | |
| I_{DD} | Quiescent Device Current | $V_{DD} = 5V, V_{IN} = V_{DD}$ or V_{SS} | | 0.25 | | 0.004 | 0.25 | | 7.5 | μA |
| | | $V_{DD} = 10V, V_{IN} = V_{DD}$ or V_{SS} | | 0.50 | | 0.005 | 0.50 | | 15 | μA |
| | | $V_{DD} = 15V, V_{IN} = V_{DD}$ or V_{SS} | | 1.0 | | 0.006 | 1.0 | | 30 | μA |
| V_{OL} | Low Level Output Voltage | $V_{DD} = 5V$ | | 0.05 | | 0 | 0.05 | | 0.05 | V |
| | | $V_{DD} = 10V$ | | 0.05 | | 0 | 0.05 | | 0.05 | V |
| | | $V_{DD} = 15V$ | | 0.05 | | 0 | 0.05 | | 0.05 | V |
| V_{OH} | High Level Output Voltage | $V_{DD} = 5V$ | 4.95 | | 4.95 | 5 | | 4.95 | | V |
| | | $V_{DD} = 10V$ | 9.95 | | 9.95 | 10 | | 9.95 | | V |
| | | $V_{DD} = 15V$ | 14.95 | | 14.95 | 15 | | 14.95 | | V |
| V_{IL} | Low Level Input Voltage | $V_{DD} = 5V, V_O = 4.5V$ | | 1.5 | | 2 | 1.5 | | 1.5 | V |
| | | $V_{DD} = 10V, V_O = 9.0V$ | | 3.0 | | 4 | 3.0 | | 3.0 | V |
| | | $V_{DD} = 15V, V_O = 13.5V$ | | 4.0 | | 6 | 4.0 | | 4.0 | V |
| V_{IH} | High Level Input Voltage | $V_{DD} = 5V, V_O = 0.5V$ | 3.5 | | 3.5 | 3 | | 3.5 | | V |
| | | $V_{DD} = 10V, V_O = 1.0V$ | 7.0 | | 7.0 | 6 | | 7.0 | | V |
| | | $V_{DD} = 15V, V_O = 1.5V$ | 11.0 | | 11.0 | 9 | | 11.0 | | V |
| I_{OL} | Low Level Output Current (Note 3) | $V_{DD} = 5V, V_O = 0.4V$ | 0.64 | | 0.51 | 0.88 | | 0.36 | | mA |
| | | $V_{DD} = 10V, V_O = 0.5V$ | 1.6 | | 1.3 | 2.25 | | 0.9 | | mA |
| | | $V_{DD} = 15V, V_O = 1.5V$ | 4.2 | | 3.4 | 8.8 | | 2.4 | | mA |
| I_{OH} | High Level Output Current (Note 3) | $V_{DD} = 5V, V_O = 4.6V$ | -0.64 | | -0.51 | -0.88 | | -0.36 | | mA |
| | | $V_{DD} = 10V, V_O = 9.5V$ | -1.6 | | -1.3 | -2.25 | | -0.9 | | mA |
| | | $V_{DD} = 15V, V_O = 13.5V$ | -4.2 | | -3.4 | -8.8 | | -2.4 | | mA |
| I_{IN} | Input Current | $V_{DD} = 15V, V_{IN} = 0V$ | | -0.10 | | -10^{-5} | -0.10 | | -1.0 | μA |
| | | $V_{DD} = 15V, V_{IN} = 15V$ | | 0.10 | | 10^{-5} | 0.10 | | 1.0 | μA |

Connection Diagrams

CD4001BC/CD4001BM
Dual-In-Line Package



CD4011BC/CD4011BM
Dual-In-Line Package



DC Electrical Characteristics CD4001BC, CD4011BC (Note 2)

| Symbol | Parameter | Conditions | -40°C | | +25°C | | | +85°C | | Units |
|-----------------|------------------------------------|---|-------|-------|-------|-------------------|-------|-------|------|-------|
| | | | Min | Max | Min | Typ | Max | Min | Max | |
| I _{DD} | Quiescent Device Current | V _{DD} = 5V, V _{IN} = V _{DD} or V _{SS} | | 1 | | 0.004 | 1 | | 7.5 | μA |
| | | V _{DD} = 10V, V _{IN} = V _{DD} or V _{SS} | | 2 | | 0.005 | 2 | | 15 | μA |
| | | V _{DD} = 15V, V _{IN} = V _{DD} or V _{SS} | | 4 | | 0.006 | 4 | | 30 | μA |
| V _{OL} | Low Level Output Voltage | V _{DD} = 5V } I _O < 1 μA | | 0.05 | | 0 | 0.05 | | 0.05 | V |
| | | V _{DD} = 10V } | | 0.05 | | 0 | 0.05 | | 0.05 | V |
| | | V _{DD} = 15V } | | 0.05 | | 0 | 0.05 | | 0.05 | V |
| V _{OH} | High Level Output Voltage | V _{DD} = 5V } I _O < 1 μA | 4.95 | | 4.95 | 5 | | 4.95 | | V |
| | | V _{DD} = 10V } | 9.95 | | 9.95 | 10 | | 9.95 | | V |
| | | V _{DD} = 15V } | 14.95 | | 14.95 | 15 | | 14.95 | | V |
| V _{IL} | Low Level Input Voltage | V _{DD} = 5V, V _O = 4.5V | | 1.5 | | 2 | 1.5 | | 1.5 | V |
| | | V _{DD} = 10V, V _O = 9.0V | | 3.0 | | 4 | 3.0 | | 3.0 | V |
| | | V _{DD} = 15V, V _O = 13.5V | | 4.0 | | 6 | 4.0 | | 4.0 | V |
| V _{IH} | High Level Input Voltage | V _{DD} = 5V, V _O = 0.5V | 3.5 | | 3.5 | 3 | | 3.5 | | V |
| | | V _{DD} = 10V, V _O = 1.0V | 7.0 | | 7.0 | 6 | | 7.0 | | V |
| | | V _{DD} = 15V, V _O = 1.5V | 11.0 | | 11.0 | 9 | | 11.0 | | V |
| I _{OL} | Low Level Output Current (Note 3) | V _{DD} = 5V, V _O = 0.4V | 0.52 | | 0.44 | 0.88 | | 0.36 | | mA |
| | | V _{DD} = 10V, V _O = 0.5V | 1.3 | | 1.1 | 2.25 | | 0.9 | | mA |
| | | V _{DD} = 15V, V _O = 1.5V | 3.6 | | 3.0 | 8.8 | | 2.4 | | mA |
| I _{OH} | High Level Output Current (Note 3) | V _{DD} = 5V, V _O = 4.6V | -0.52 | | -0.44 | -0.88 | | -0.36 | | mA |
| | | V _{DD} = 10V, V _O = 9.5V | -1.3 | | -1.1 | -2.25 | | -0.9 | | mA |
| | | V _{DD} = 15V, V _O = 13.5V | -3.6 | | -3.0 | -8.8 | | -2.4 | | mA |
| I _{IN} | Input Current | V _{DD} = 15V, V _{IN} = 0V | | -0.30 | | -10 ⁻⁵ | -0.30 | | -1.0 | μA |
| | | V _{DD} = 15V, V _{IN} = 15V | | 0.30 | | 10 ⁻⁵ | 0.30 | | 1.0 | μA |

AC Electrical Characteristics* CD4001BC, CD4001BM

T_A = 25°C, Input t_r, t_f = 20 ns, C_L = 50 pF, R_L = 200k. Typical temperature coefficient is 0.3%/°C.

| Symbol | Parameter | Conditions | Typ | Max | Units |
|-------------------------------------|---|-----------------------|-----|-----|-------|
| t _{PHL} | Propagation Delay Time, High-to-Low Level | V _{DD} = 5V | 120 | 250 | ns |
| | | V _{DD} = 10V | 50 | 100 | ns |
| | | V _{DD} = 15V | 35 | 70 | ns |
| t _{PLH} | Propagation Delay Time, Low-to-High Level | V _{DD} = 5V | 110 | 250 | ns |
| | | V _{DD} = 10V | 50 | 100 | ns |
| | | V _{DD} = 15V | 35 | 70 | ns |
| t _{THL} , t _{TLH} | Transition Time | V _{DD} = 5V | 90 | 200 | ns |
| | | V _{DD} = 10V | 50 | 100 | ns |
| | | V _{DD} = 15V | 40 | 80 | ns |
| C _{IN} | Average Input Capacitance | Any Input | 5 | 7.5 | pF |
| C _{PD} | Power Dissipation Capacity | Any Gate | 14 | | pF |

*AC Parameters are guaranteed by DC correlated testing.

Note 1: "Absolute Maximum Ratings" are those values beyond which the safety of the device cannot be guaranteed. Except for "Operating Temperature Range" they are not meant to imply that the devices should be operated at these limits. The table of "Electrical Characteristics" provides conditions for actual device operation.

Note 2: All voltages measured with respect to V_{SS} unless otherwise specified.

Note 3: I_{OL} and I_{OH} are tested one output at a time.

AC Electrical Characteristics* CD4011BC, CD4011BM

$T_A = 25^\circ\text{C}$, Input t_r , $t_f = 20$ ns. $C_L = 50$ pF, $R_L = 200\text{k}$. Typical Temperature Coefficient is $0.3\%/^\circ\text{C}$.

| Symbol | Parameter | Conditions | Typ | Max | Units |
|-----------------------|--------------------------------------|-----------------------|-----|-----|-------|
| t_{PHL} | Propagation Delay, High-to-Low Level | $V_{DD} = 5\text{V}$ | 120 | 250 | ns |
| | | $V_{DD} = 10\text{V}$ | 50 | 100 | ns |
| | | $V_{DD} = 15\text{V}$ | 35 | 70 | ns |
| t_{PLH} | Propagation Delay, Low-to-High Level | $V_{DD} = 5\text{V}$ | 85 | 250 | ns |
| | | $V_{DD} = 10\text{V}$ | 40 | 100 | ns |
| | | $V_{DD} = 15\text{V}$ | 30 | 70 | ns |
| t_{THL} , t_{TLH} | Transition Time | $V_{DD} = 5\text{V}$ | 90 | 200 | ns |
| | | $V_{DD} = 10\text{V}$ | 50 | 100 | ns |
| | | $V_{DD} = 15\text{V}$ | 40 | 80 | ns |
| C_{IN} | Average Input Capacitance | Any Input | 5 | 7.5 | pF |
| C_{PD} | Power Dissipation Capacity | Any Gate | 14 | | pF |

*AC Parameters are guaranteed by DC correlated testing.

Typical Performance Characteristics

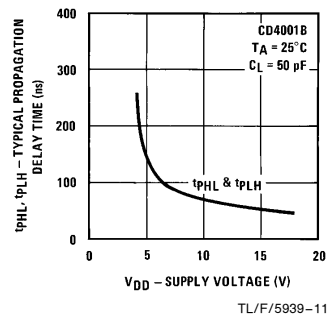
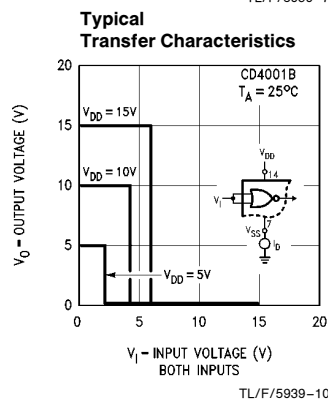
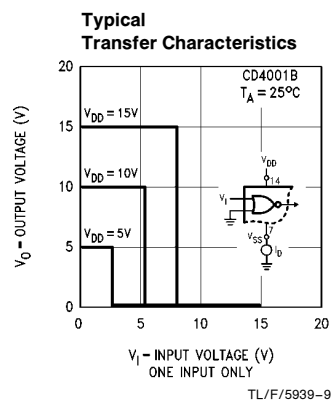
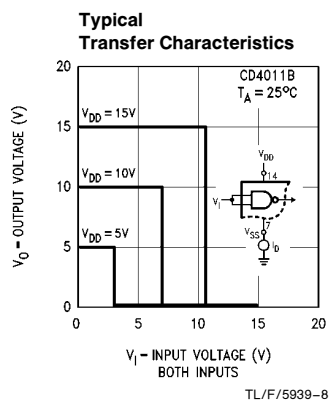
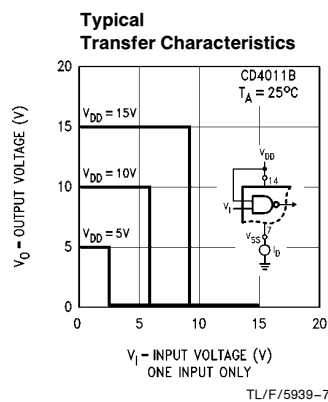


FIGURE 5

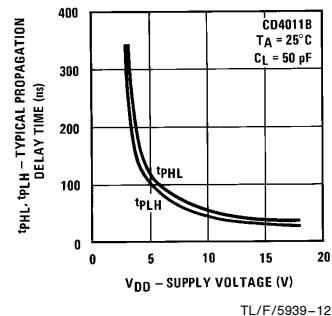


FIGURE 6

Typical Performance Characteristics (Continued)

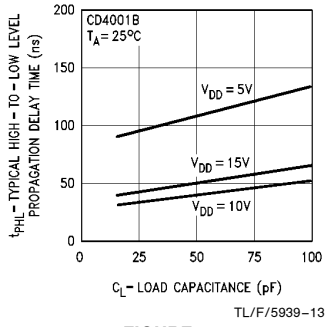


FIGURE 7

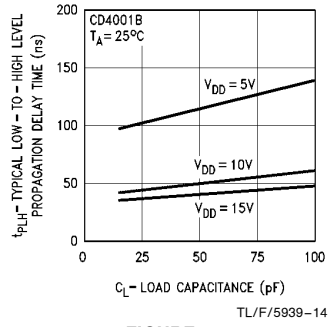


FIGURE 8

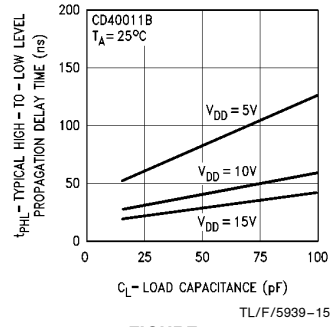


FIGURE 9

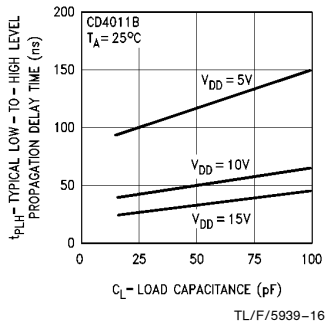


FIGURE 10

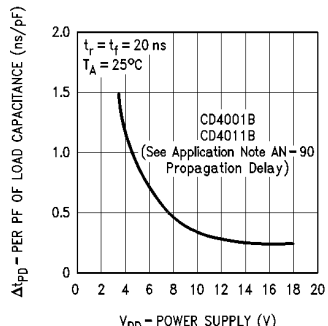


FIGURE 11

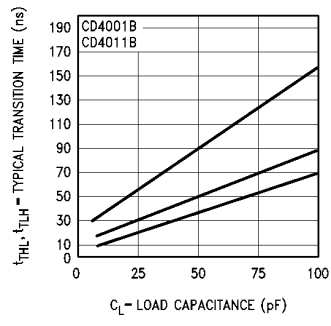


FIGURE 12

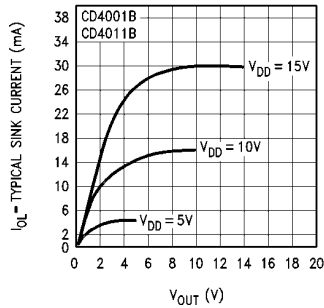


FIGURE 13

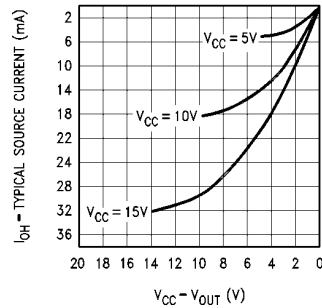
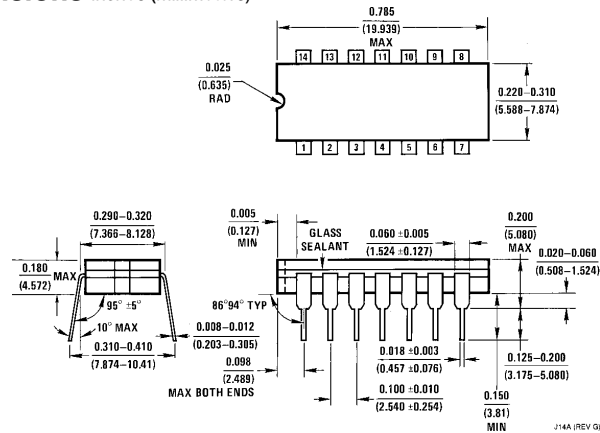


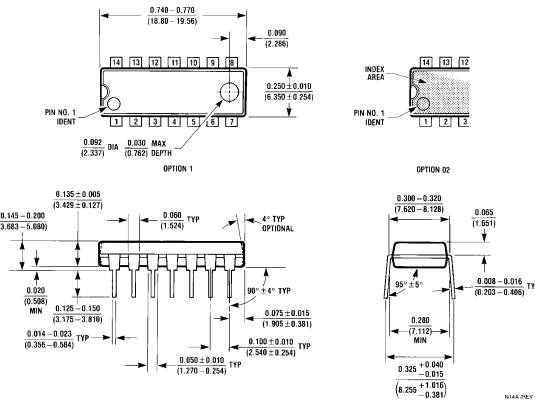
FIGURE 14

CD4001BM/CD4001BC Quad 2-Input NOR Buffered B Series Gate
CD4011BM/CD4011BC Quad 2-Input NAND Buffered B Series Gate

Physical Dimensions inches (millimeters)



Ceramic Dual-In-Line Package (J)
Order Number CD4001BMJ, CD4001BCJ, CD40011BMJ or CD40011BCJ
NS Package Number J14A



Molded Dual-In-Line Package (N)
Order Number CD4001BMN, CD4001BCN, CD40011BMN or CD40011BCN
NS Package Number N14A

LIFE SUPPORT POLICY

NATIONAL'S PRODUCTS ARE NOT AUTHORIZED FOR USE AS CRITICAL COMPONENTS IN LIFE SUPPORT DEVICES OR SYSTEMS WITHOUT THE EXPRESS WRITTEN APPROVAL OF THE PRESIDENT OF NATIONAL SEMICONDUCTOR CORPORATION. As used herein:

1. Life support devices or systems are devices or systems which, (a) are intended for surgical implant into the body, or (b) support or sustain life, and whose failure to perform, when properly used in accordance with instructions for use provided in the labeling, can be reasonably expected to result in a significant injury to the user.
2. A critical component is any component of a life support device or system whose failure to perform can be reasonably expected to cause the failure of the life support device or system, or to affect its safety or effectiveness.



National Semiconductor Corporation
 1111 West Bardin Road
 Arlington, TX 76017
 Tel: (800) 272-9959
 Fax: (800) 737-7018

National Semiconductor Europe
 Fax: (+49) 0-180-530 85 86
 Email: cnjwge@tevm2.nsc.com
 Deutsch Tel: (+49) 0-180-530 85 85
 English Tel: (+49) 0-180-532 78 32
 Français Tel: (+49) 0-180-532 93 58
 Italiano Tel: (+49) 0-180-534 16 80

National Semiconductor Hong Kong Ltd.
 19th Floor, Straight Block,
 Ocean Centre, 5 Canton Rd.
 Tsimshatsui, Kowloon
 Hong Kong
 Tel: (852) 2737-1600
 Fax: (852) 2736-9960

National Semiconductor Japan Ltd.
 Tel: 81-043-299-2309
 Fax: 81-043-299-2408

National does not assume any responsibility for use of any circuitry described, no circuit patent licenses are implied and National reserves the right at any time without notice to change said circuitry and specifications.

This datasheet has been downloaded from:

www.DatasheetCatalog.com

Datasheets for electronic components.

National Semiconductor was acquired by Texas Instruments.

http://www.ti.com/corp/docs/investor_relations/pr_09_23_2011_national_semiconductor.html

This file is the datasheet for the following electronic components:

CD4011BCJ - <http://www.ti.com/product/cd4011bcj?HQS=TI-null-null-dscatalog-df-pf-null-ww>

CD4001BCN - <http://www.ti.com/product/cd4001bcn?HQS=TI-null-null-dscatalog-df-pf-null-ww>

CD4001BMJ - <http://www.ti.com/product/cd4001bmj?HQS=TI-null-null-dscatalog-df-pf-null-ww>

CD40011 - <http://www.ti.com/product/cd40011?HQS=TI-null-null-dscatalog-df-pf-null-ww>

CD4011BCN - <http://www.ti.com/product/cd4011bcn?HQS=TI-null-null-dscatalog-df-pf-null-ww>

CD4011BMN - <http://www.ti.com/product/cd4011bmn?HQS=TI-null-null-dscatalog-df-pf-null-ww>

CD4001BMN - <http://www.ti.com/product/cd4001bmn?HQS=TI-null-null-dscatalog-df-pf-null-ww>

CD40011BMJ - <http://www.ti.com/product/cd40011bmj?HQS=TI-null-null-dscatalog-df-pf-null-ww>

CD4001BCJ - <http://www.ti.com/product/cd4001bcj?HQS=TI-null-null-dscatalog-df-pf-null-ww>



LittleDiode supplies new, hard to find or obsolete electronic components and semiconductors all over the world.

With over two million different components listed you are sure to find the part you need.

Feel free to visit us today at our online store:

LittleDiode.com

Looking forward to providing you with the best possible service.